

**T&S BRASS AND BRONZE WORKS, INC.**

2 SADDLEBACK COVE / P.O. BOX 1088 / TRAVELERS REST, SC 29690

PHONE 800-476-4103

FAX 864-834-3518



REG. #A2601  
ISO #9002

Model No.

BL-2010-01

Item No.:

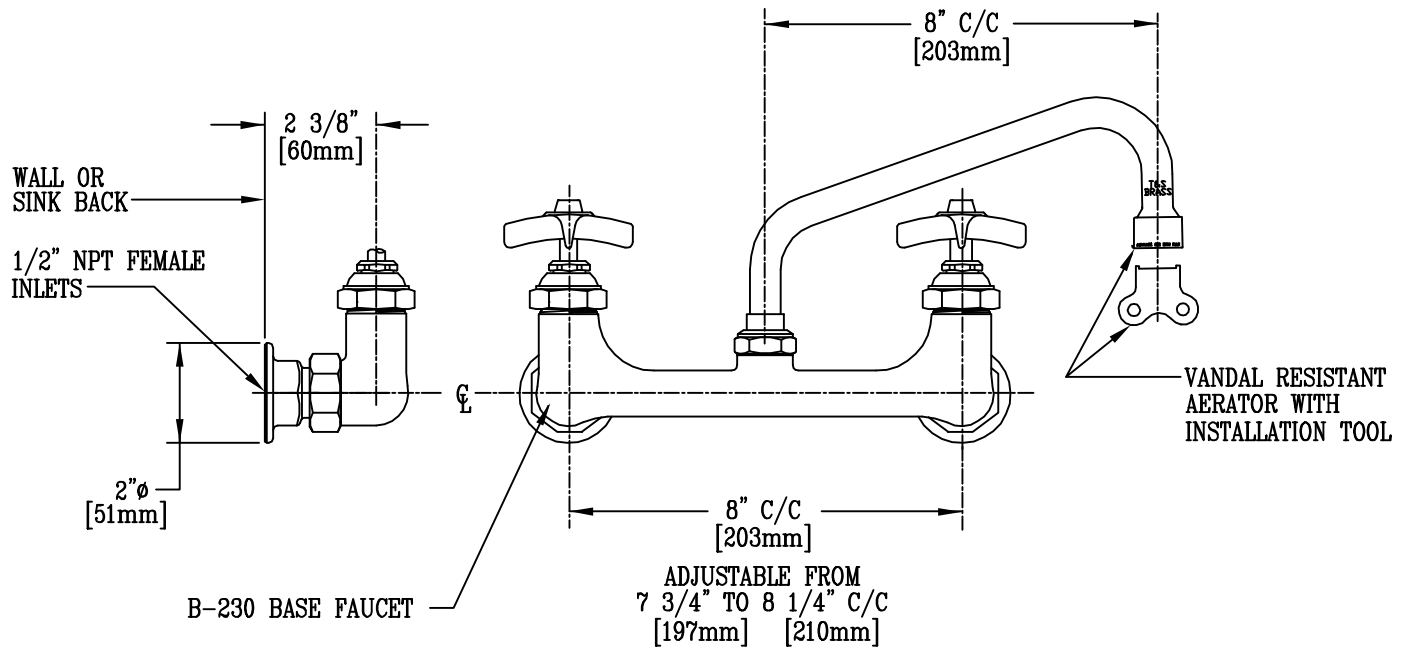
Job Name:

Architect/Engineer Approval:

Notes:



ADA COMPLIANT



**NOTES :**

1. ALSO AVAILABLE WITH B-WH-4" OR B-WH-6" WRIST ACTION BLADE HANDLES.
2. ALSO AVAILABLE WITH MODEL #B-SD SOAP DISH
3. NOZZLE SWINGS 360°
4. ALSO AVAILABLE WITH B-199-1 NON-SPLASH AERATOR.

Product Description:

LABORATORY MIXING FAUCET WITH 8" SWING NOZZLE, & VANDAL RESISTANT AERATOR

Drawn:

WJS

Checked

ARD

Scale:

3" = 1'

Approved

CA

Date:

9-5-96