



T&S BRASS AND BRONZE WORKS, INC.
 2 SADDLEBACK COVE / P.O. BOX 1088 / TRAVELERS REST, SC 29690
 PHONE 800-476-4103 FAX 864- 834-3518



Model No.

BL-5500-02

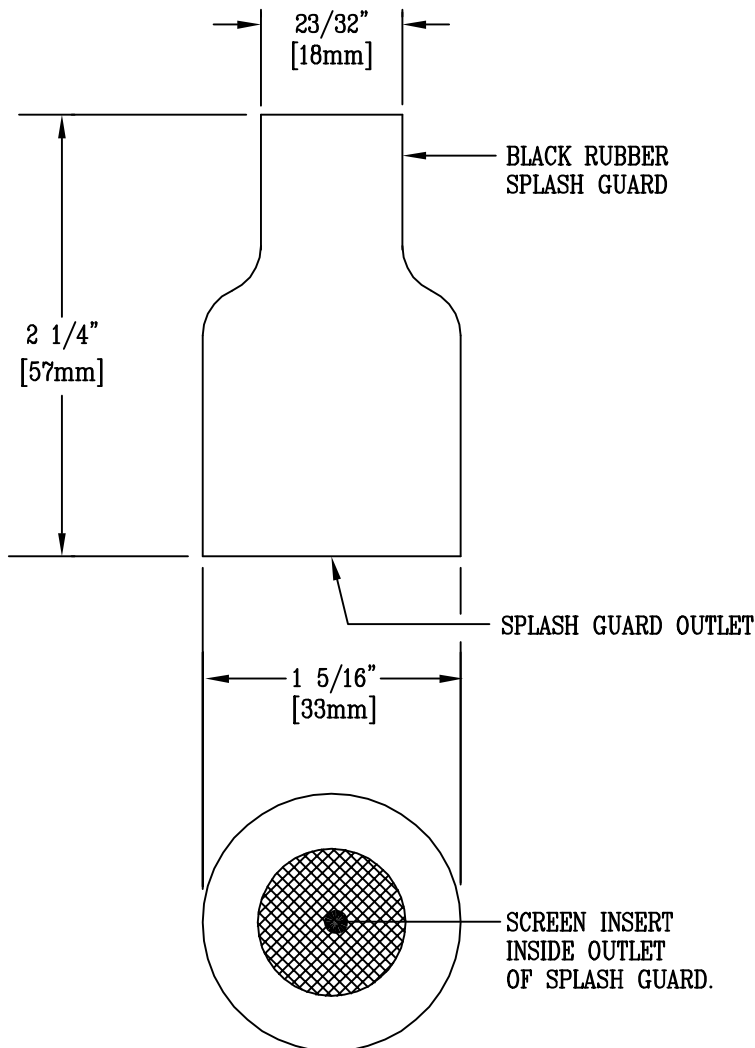
Item No.:

REG.#A2601
ISO #9002

Job Name:

Architect/Engineer Approval:

Notes:



BL-5500-02 SLIPS OVER THE OUTLET OF MODEL NO.
 BL-5500-0 FILTER PUMP TO ELIMINATE SPLASH.

Product Description:

SPLASH ELIMINATOR FOR USE
 WITH FILTER PUMP

Drawn:

WJS

Checked

ARY

Scale:

1' = 1'

Approved

CA

Date:

10/26/95