



T&S BRASS AND BRONZE WORKS, INC.
 2 SADDLEBACK COVE / P.O. BOX 1088 / TRAVELERS REST, SC 29690
 PHONE 800-476-4103 FAX 864- 834-3518



Model No.

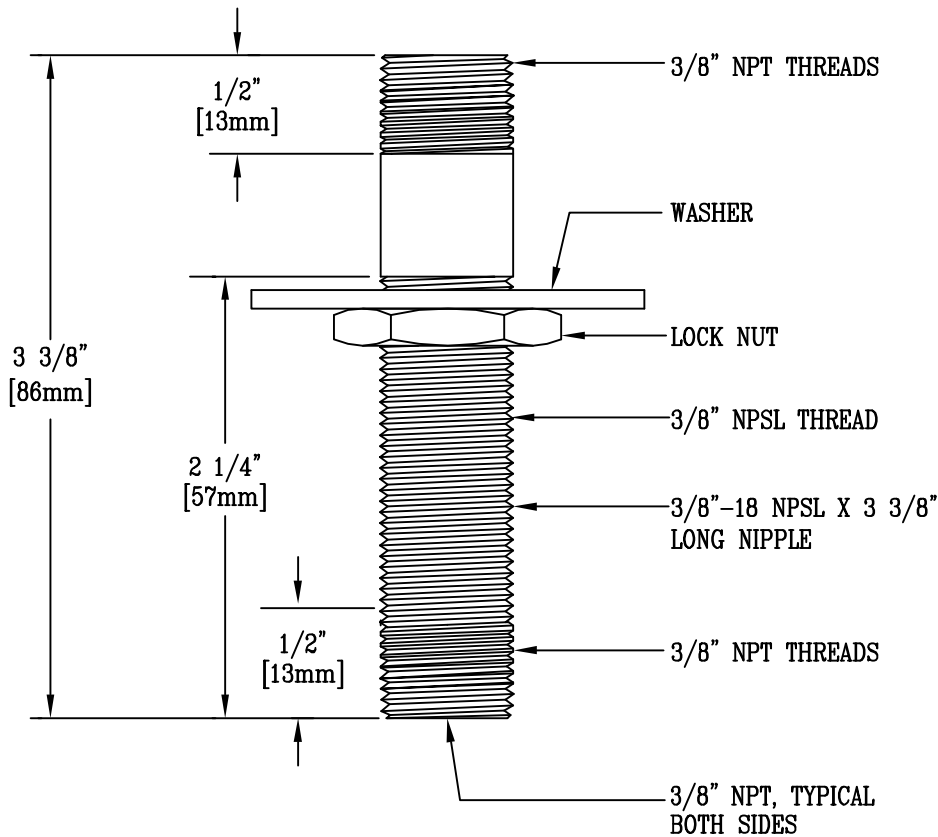
BL-5500-11

Item No.:

Job Name:

Architect/Engineer Approval:

Notes:



Product Description:

3/8" NPT SUPPLY NIPPLE, LOCKNUT,
 AND WASHER COMBINATION UNIT FOR USE
 ON BL-4750-07 PANEL TURRET

Drawn:

WJS

Checked

ARY

Scale:

1' = 1'

Approved

CA

Date:

10/26/95