



T&S BRASS AND BRONZE WORKS, INC.

2 SADDLEBACK COVE / P.O. BOX 1088 / TRAVELERS REST, SC 29690

PHONE 800-476-4103

FAX 864- 834-3518



REG.#A2601
ISO #9002

Model No.

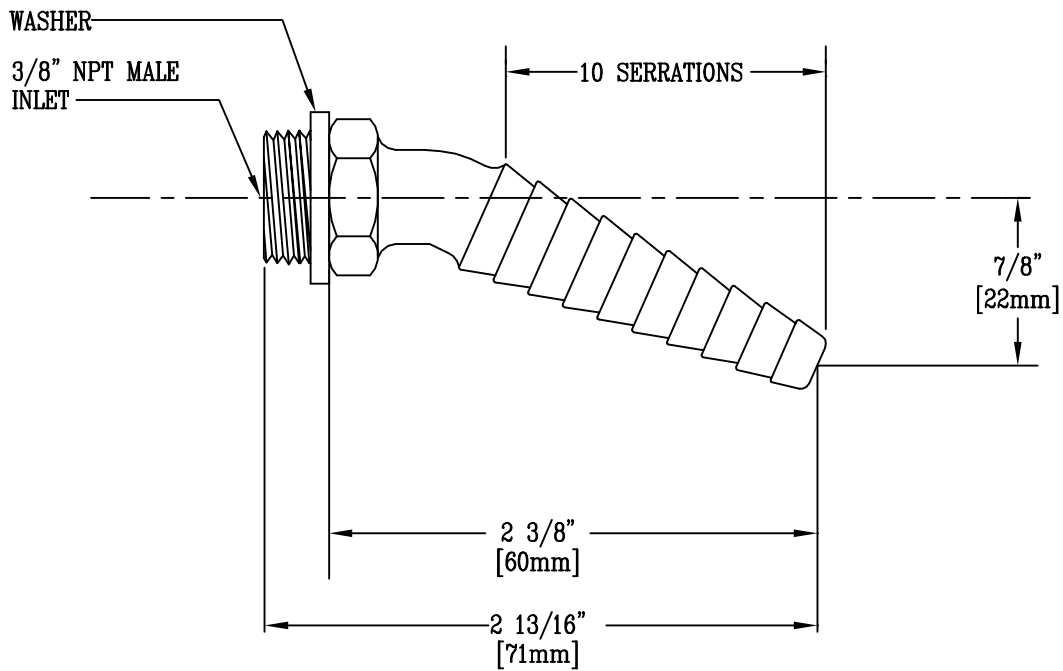
BL-5550-05

Item No.:

Job Name:

Architect/Engineer Approval:

Notes:



Product Description:

ANGLE SERRATED TIP WITH
3/8" IPS MALE INLET, & WASHER

Drawn:

WJS

Checked

ARD

Scale:

1' = 1'

Approved

CA

Date:

10/25/95