



T&S BRASS AND BRONZE WORKS, INC.
 2 SADDLEBACK COVE / P.O. BOX 1088 / TRAVELERS REST, SC 29690
 PHONE 800-476-4103 FAX 864- 834-3518



REG.#A2601
 ISO #9002

Model No.

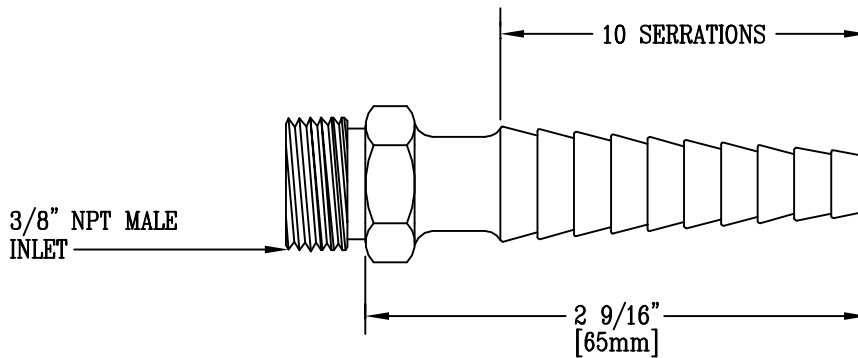
BL-5550-25

Item No.:

Job Name:

Architect/Engineer Approval:

Notes:



NOTE : BL-5550-25 SERRATED TIP IS USED ON SIDE OUTLETS OF TURRETS, OUTLETS, OR PANEL FLANGES, AND IN OTHER APPLICATIONS IN WHICH A SMALL HEX SHOULDER IS NECESSARY TO AVOID INTERFERENCE OR CONTRIBUTE TO APPEARANCE.

Product Description:

STRAIGHT SERRATED TIP WITH TEN SERRATIONS & 3/8" NPT INLET

Drawn:

WJS

Checked

ARD

Scale:

1' = 1'

Approved

CA

Date:

10/25/95