

T&S BRASS AND BRONZE WORKS, INC.

2 SADDLEBACK COVE / P.O. BOX 1088 / TRAVELERS REST, SC 29690

PHONE 800-476-4103

FAX 864- 834-3518



REG.#A2601
ISO #9002

Model No.

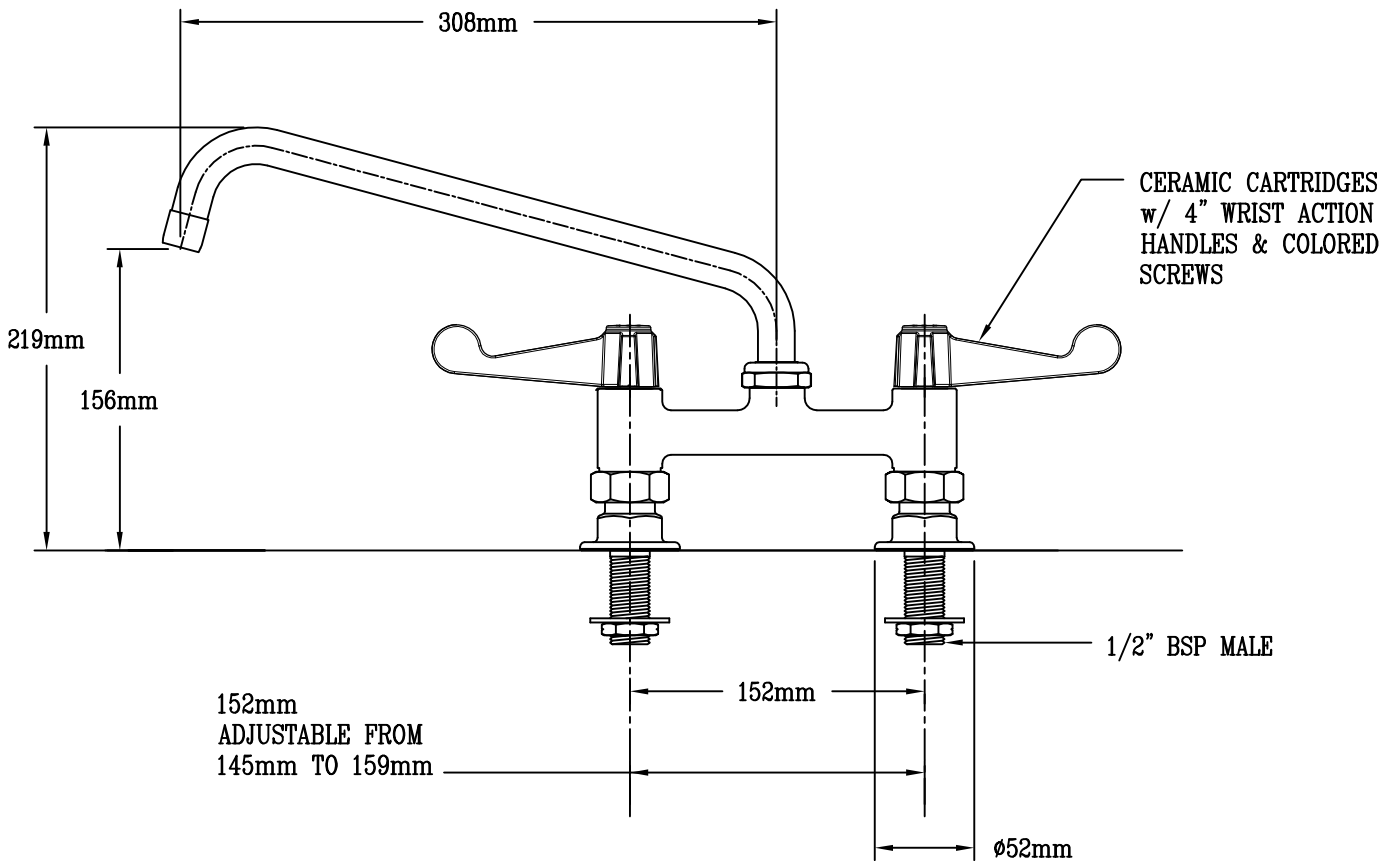
EU-6DF12-WH4

Item No.:

Job Name:

Architect/Engineer Approval:

Notes:



Product Description:
Mixing Faucet, Deck Mount, 152mm (6") Centers, 308mm (12") Nozzle, 1/2" BSP Inlets, Ceramic Cartridges, 4" Wrist Action Handles, 219mm Height, 156mm Clearance

Drawn:

WJS

Checked:

JRM

Scale:

1:4

Approved

JHB

Date:

09/08/06