



T&S BRASS AND BRONZE WORKS, INC.
 2 SADDLEBACK COVE / P.O. BOX 1088 / TRAVELERS REST, SC 29690
 PHONE 800-476-4103 - FAX 864- 834-3518

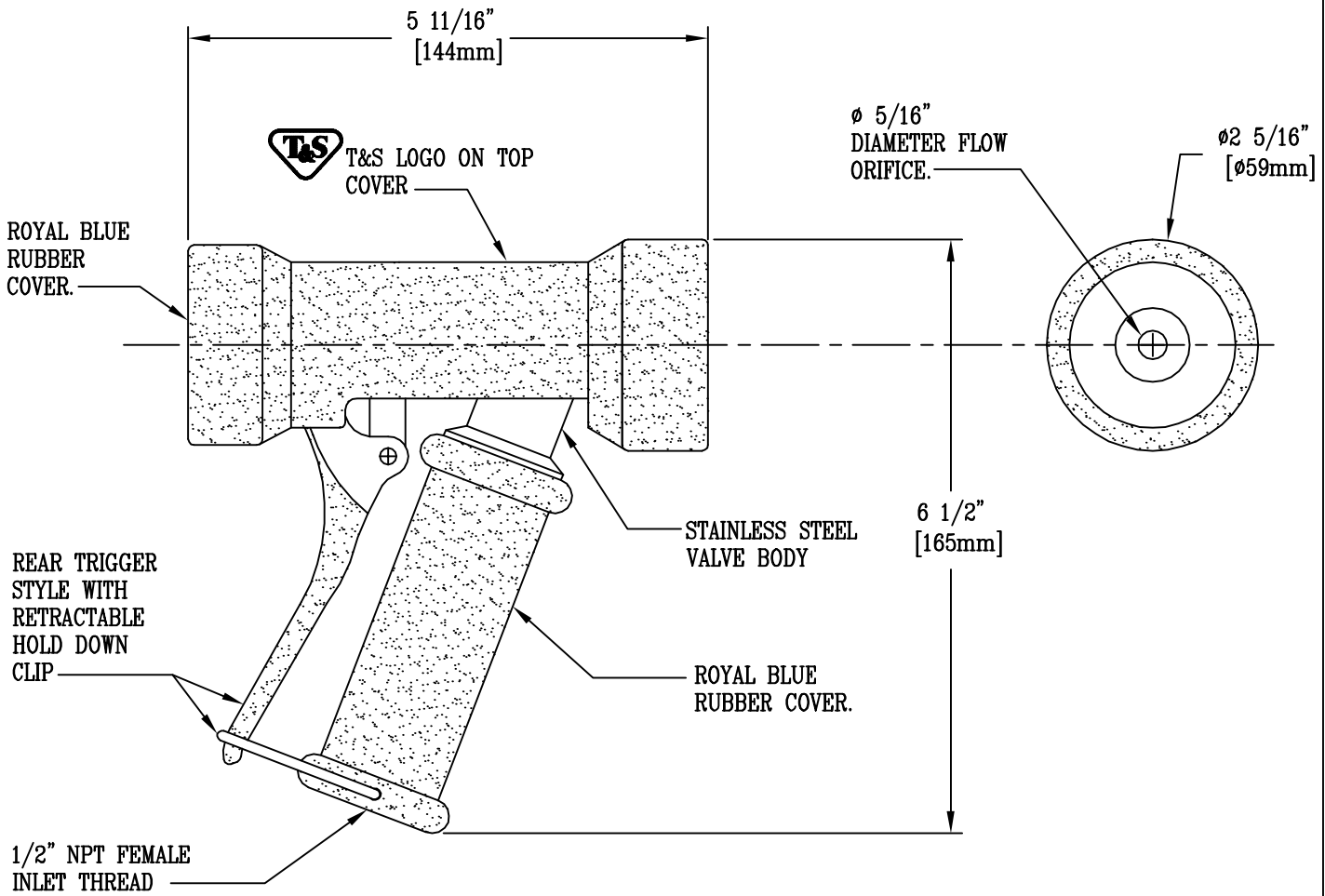


Model No.
 MV-2516-24
**RELIABILITY
 BUILT IN**

Job Name:

Architect/Engineer Approval:

Notes:



Product Description:
 STAINLESS STEEL WATER GUN, REAR TRIGGER,
 5/16" FLOW ORIFICE, RUBBER COVER.

Drawn: LEL	Checked JKD	Scale: 1 : 2
Approved MVW	Date: 12/12/02	