



**T&S BRASS AND BRONZE WORKS, INC.**  
 2 SADDLEBACK COVE / P.O. BOX 1088 / TRAVELERS REST, SC 29690  
 PHONE 800-476-4103 - FAX 864- 834-3518



Model No.

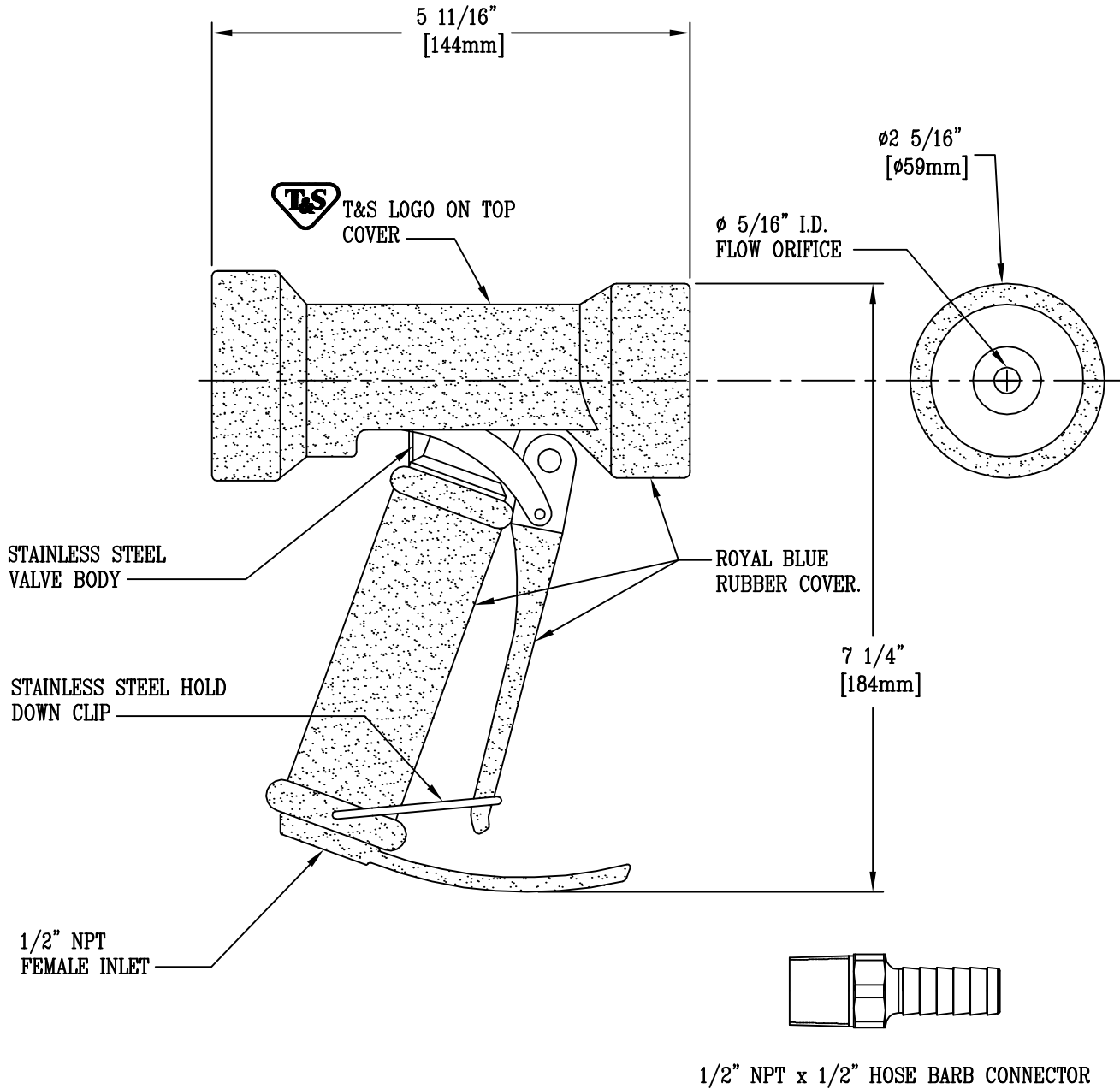
MV-2522-21

**RELIABILITY  
 BUILT IN**

Job Name:

Architect/Engineer Approval:

Notes:



Product Description:  
 STAINLESS STEEL WATER GUN, FRONT TRIGGER,  
 5/16" FLOW ORIFICE, RUBBER COVER  
 WITH 1/2" NPT x 1/2" HOSE BARB CONNECTOR

Drawn: LEL	Checked JKD	Scale: 1 : 2
Approved MVW	Date: 12/12/02	