



T&S BRASS AND BRONZE WORKS, INC.
 2 SADDLEBACK COVE / P.O. BOX 1088 / TRAVELERS REST, SC 29690
 PHONE 800-476-4103 FAX 864- 834-3518



Model No.

PG-8DPRN-72

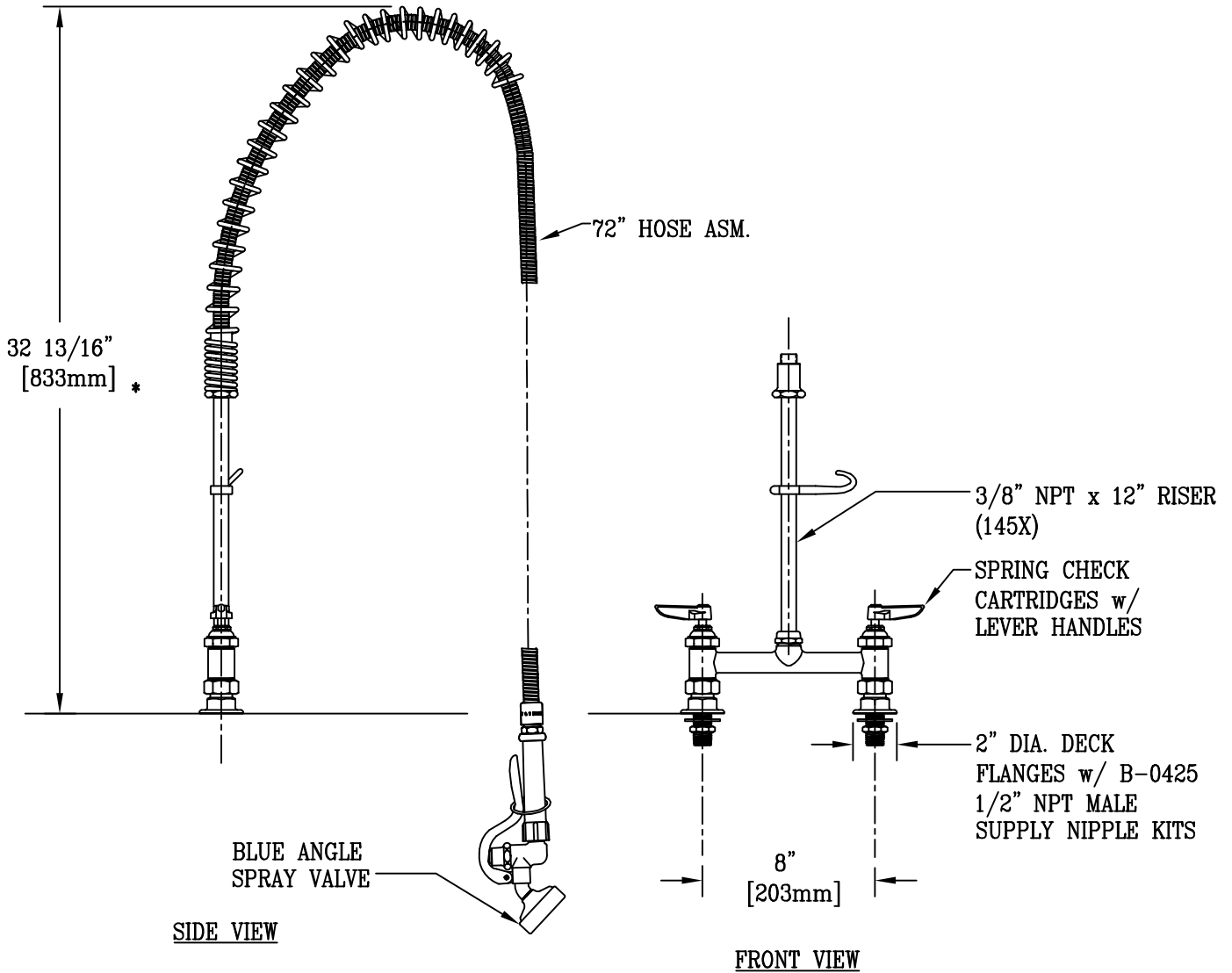
Item No.:

REG.#A2601
 ISO #9001

Job Name:

Architect/Engineer Approval:

Notes:



Product Description:

PET GROOM MODEL

8" c/c Deck Mount Mixing Faucet, 1/2" NPT Female Inlets,
 3/8" x 12" Riser, 72" Hose, Blue Angle Spray

Drawn:

WJS

Approved

JHB

Checked

JRM

Scale:

1:8

Date:

04/03/06