



T&S BRASS AND BRONZE WORKS, INC.

2 Saddleback Cove / P.O. Box 1088
Travelers Rest, SC 29690



REG. #A2601
ISO #9001

Model No.
B-2320

Item No.

Travelers Rest, SC: 800-476-4103 Simi Valley, CA: 800-423-0150 Fax: 864-834-3518 www.tsbrass.com

This Space for Architect/Engineer Approval

Job Name _____ Date _____

Model Specified _____ Quantity _____

Customer/Wholesaler _____

Contractor _____

Architect/Engineer _____



ADA Compliant

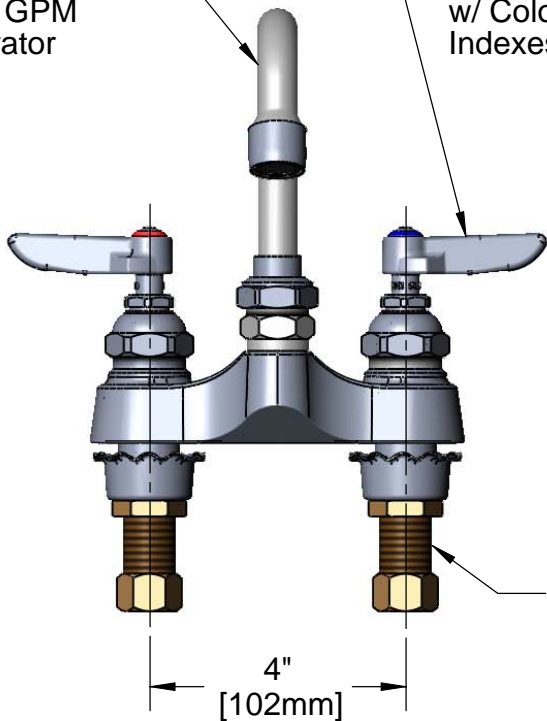


Variations or Applicable Options:

- WH6 6" Wrist Action Handles
- WH4 4" Wrist Action Handles
- 175F 4-Arm Kitchen Handles
- B-0199-21 2.2 GPM Laminar Flow Outlet

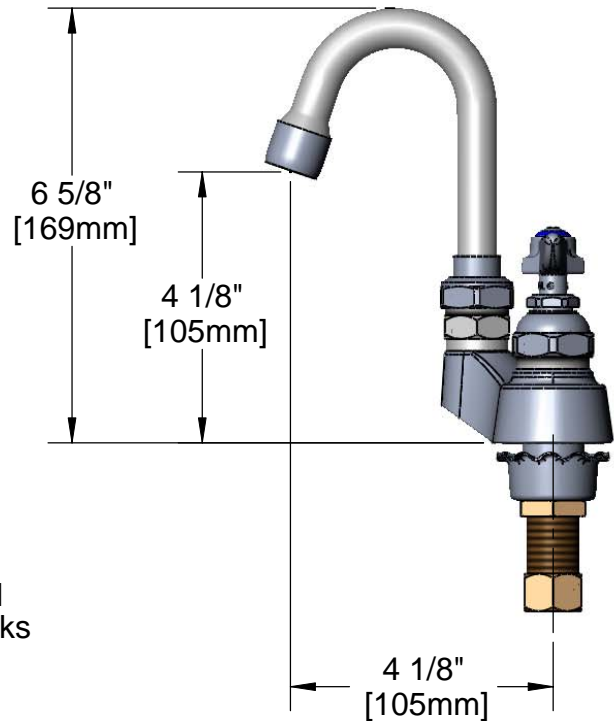
Swivel GN w/
2.2 GPM
Aerator

Lever Handles
w/ Color Coded
Indexes



1/2" NPSM
Male Shanks

4"
[102mm]



6 5/8"
[169mm]

4 1/8"
[105mm]

4 1/8"
[105mm]

Rough-in: ϕ 1-1/8" Holes

Product Specifications:

4" Centerset Mixing Faucet w/ 1/2" NPSM Male Shanks, Eterna Cartridges, Lever Handles, Rigid to Swivel Adapter, Swivel Gooseneck, 2.2 GPM Aerator

Drawn DMH	Checked GEF	Approved 10/03/08
Scale: 1:3		Date: JHB



T&S BRASS AND BRONZE WORKS, INC.

2 Saddleback Cove / P.O. Box 1088
Travelers Rest, SC 29690

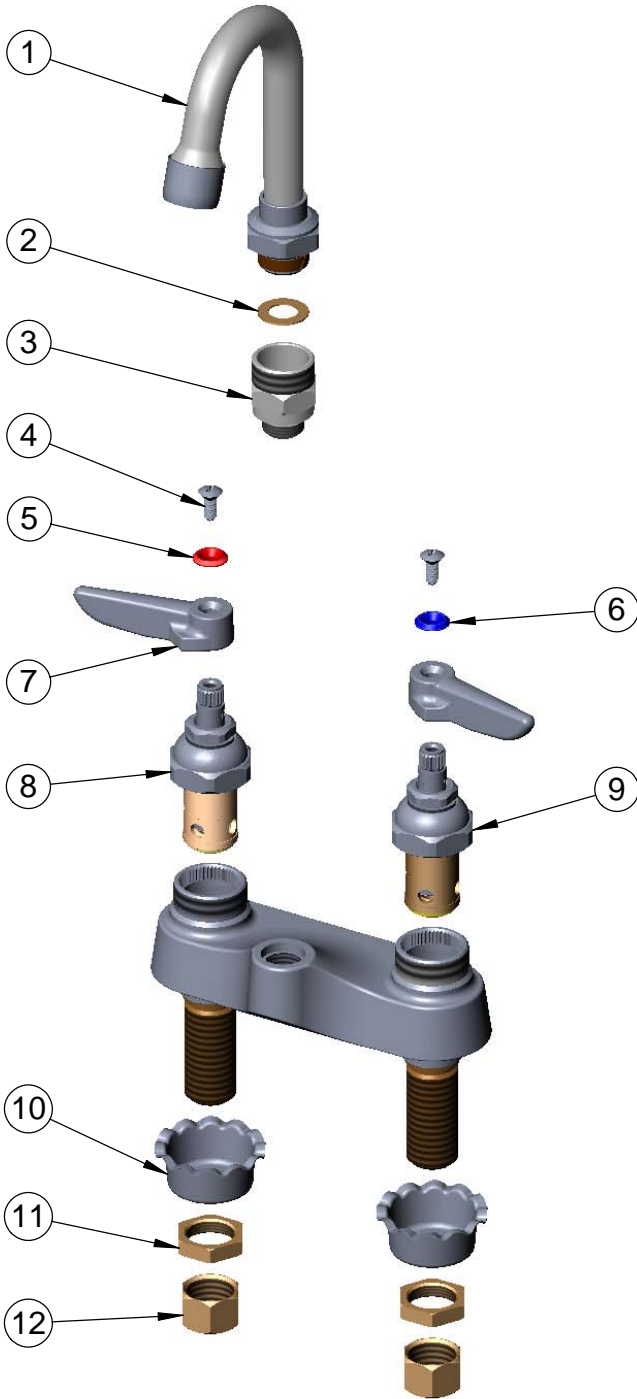


REG. #A2601
ISO #9001

Model No.
B-2320

Item No.

Travelers Rest, SC: 800-476-4103 Simi Valley, CA: 800-423-0150 Fax: 864-834-3518 www.tsbrass.com



ITEM NO.	SALES NO.	DESCRIPTION
1	008978-40	Swivel GN Asm
2	000986-45	Washer, Bonnet, Brass
3	B-0412	Rigid to Swivel Adapter
4	000922-45	Lever Handle Screw
5	001661-45	Red Index-HW
6	001660-45	Blue Index-CW
7	001638-45	Lever Handle
8	006010-40	Hot Spindle Asm
9	006009-40	Cold Spindle Asm
10	001000-45	Rosette Washer
11	002954-45	Shank Lock Nut
12	000958-20	Coupling Nut

Product Specifications:

4" Centerset Mixing Faucet w/ 1/2" NPSM Male Shanks,
Eterna Cartridges, Lever Handles, Rigid to Swivel Adapter,
Swivel Gooseneck, 2.2 GPM Aerator

Drawn DMH	Checked GEF	Approved 10/03/08
Scale: 1:3		Date: JHB