



T&S BRASS AND BRONZE WORKS, INC.

2 Saddleback Cove / P.O. Box 1088
Travelers Rest, SC 29690



REG. #A2601
ISO #9001

Model No.
B-2345

Item No.

Travelers Rest, SC: 800-476-4103 Simi Valley, CA: 800-423-0150 Fax: 864-834-3518 www.tsbrass.com

This Space for Architect/Engineer Approval

Job Name _____ Date _____

Model Specified _____ Quantity _____

Customer/Wholesaler _____

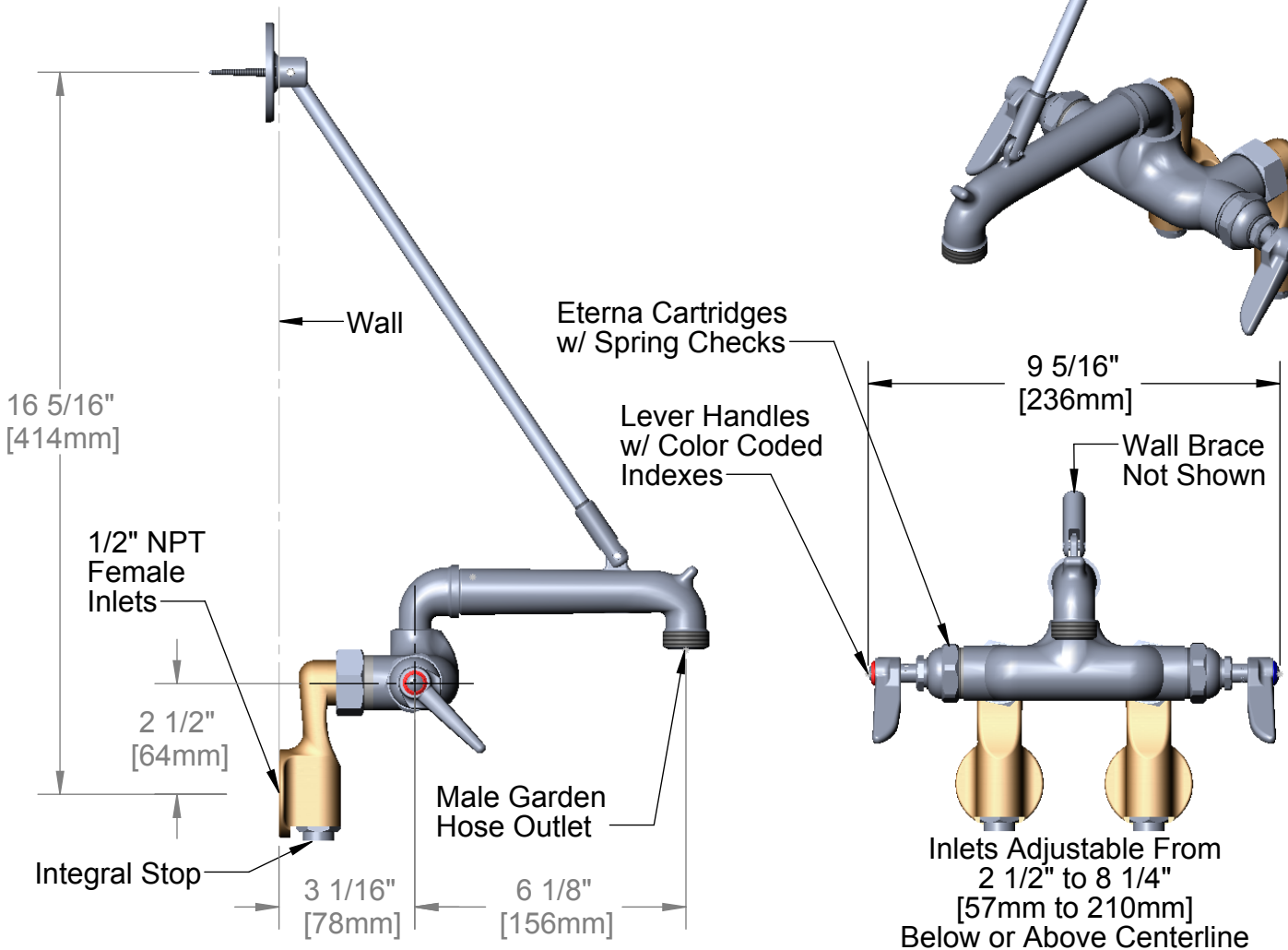
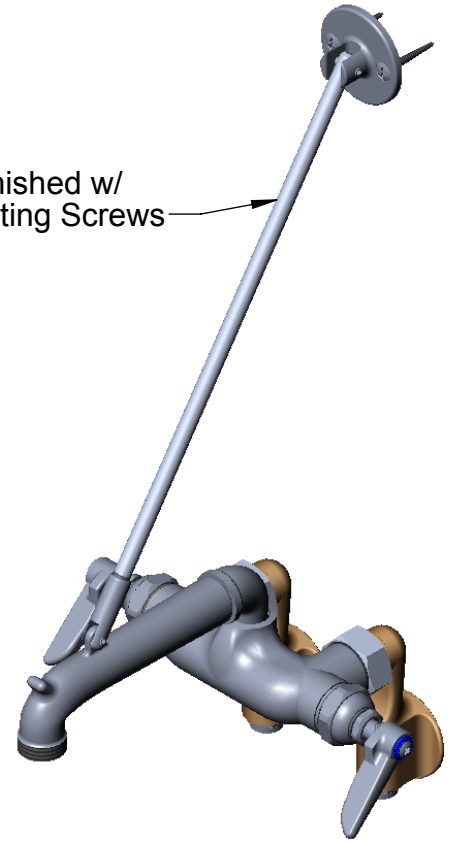
Contractor _____

Architect/Engineer _____



ADA Compliant

Support Rod Asm. Furnished w/
Wall Bracket and Mounting Screws



Product Specifications:

Service Sink Faucet, Polished Chrome, Lever Handles, Wall Brace, 1/2" NPT Adjustable Inlets w/ Integral Stops & Male Garden Hose Outlet

Drawn KJG	Checked GEF	Approved JHB
Scale: 1:4		Date: 5/16/08



T&S BRASS AND BRONZE WORKS, INC.

2 Saddleback Cove / P.O. Box 1088
Travelers Rest, SC 29690



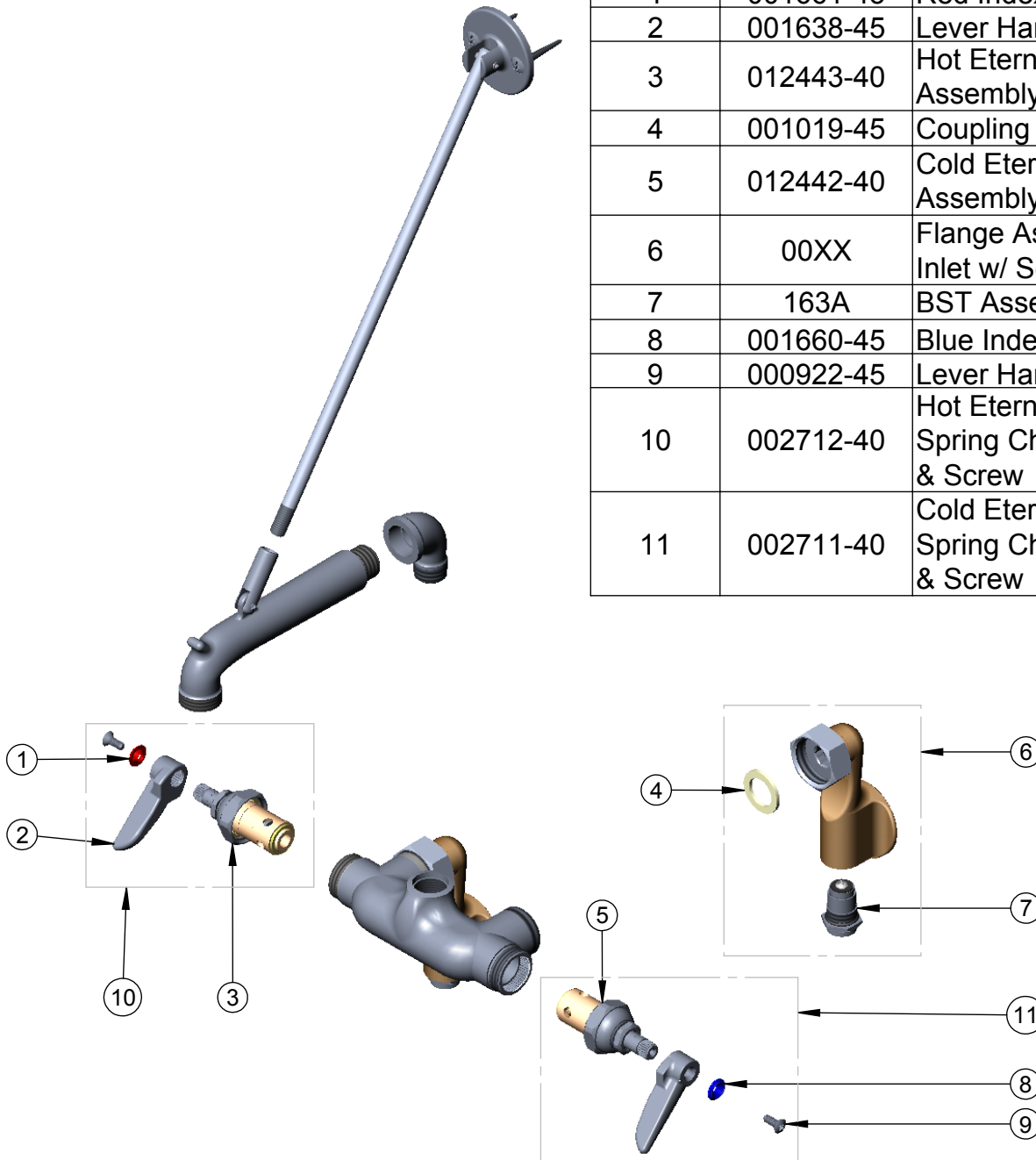
REG. #A2601
ISO #9001

Model No.
B-2345

Item No.

Travelers Rest, SC: 800-476-4103 Simi Valley, CA: 800-423-0150 Fax: 864-834-3518 www.tsbrass.com

ITEM NO.	SALES NO.	DESCRIPTION
1	001661-45	Red Index-HW
2	001638-45	Lever Handle
3	012443-40	Hot Eterna Spindle Assembly w/ Spring Check
4	001019-45	Coupling Nut Washer
5	012442-40	Cold Eterna Spindle Assembly w/ Spring Check
6	00XX	Flange Asm, 1/2" Female Inlet w/ Screw-driver Stop
7	163A	BST Assembly, 163A
8	001660-45	Blue Index-CW
9	000922-45	Lever Handle Screw
10	002712-40	Hot Eterna Spindle Asm w/ Spring Check, Handle, Index & Screw
11	002711-40	Cold Eterna Spindle Asm w/ Spring Check, Handle, Index & Screw



Product Specifications:

Service Sink Faucet, Polished Chrome, Lever Handles, Wall Brace, 1/2" NPT Adjustable Inlets w/ Integral Stops & Male Garden Hose Outlet

Drawn KJG	Checked GEF	Approved JHB
Scale: 1:4		Date: 5/16/08