



T&S BRASS AND BRONZE WORKS, INC.

2 Saddleback Cove / P.O. Box 1088
Travelers Rest, SC 29690



REG. #A2601
ISO #9001

Model No.

B-2347-01

Item No.

Travelers Rest, SC: 800-476-4103 Simi Valley, CA: 800-423-0150 Fax: 864-834-3518 www.tsbrass.com

This Space for Architect/Engineer Approval

Job Name _____ Date _____

Model Specified _____ Quantity _____

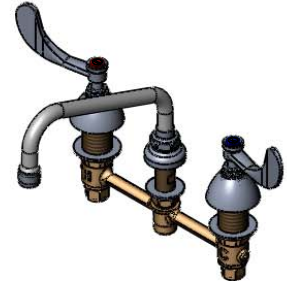
Customer/Wholesaler _____

Contractor _____

Architect/Engineer _____



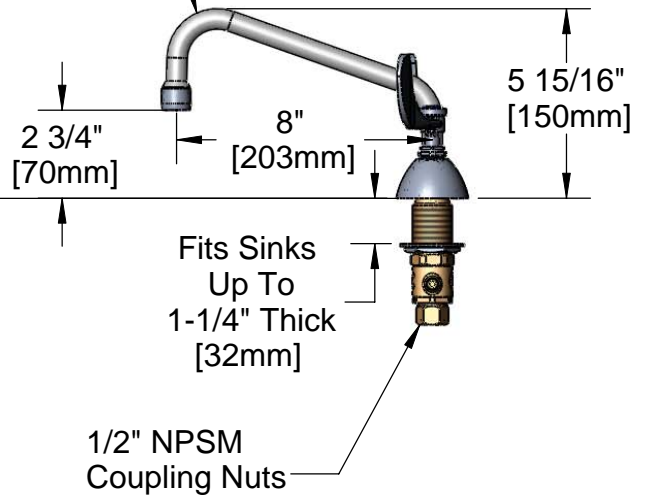
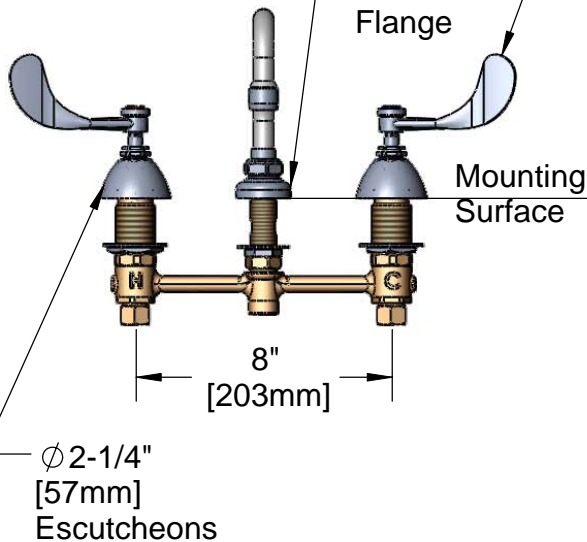
ADA Compliant



B-WH4
4" Wrist Action Handles
w/ Color Coded Indexes

Ø 1-11/16"
[43mm]
Swivel
Deck
Flange

8" Swing Nozzle
w/ 2.2 GPM Aerator



Note: Rough-In Required:

Ø 1" [25mm] for Center Shank

Ø 1-1/2" [38mm] for Hot/Cold Side [1-1/4" [32mm] Minimum]

Product Specifications:

**EasyInstall Faucet w/ 4" Wrist
Action Handles, Compression Cartridges, 8" Inlet
Centers & Swing Nozzle w/2.2 GPM Aerator**

Drawn
JRM

Checked
GEF

Approved
JHB

Scale:

NTS

Date:

07/31/08



T&S BRASS AND BRONZE WORKS, INC.

2 Saddleback Cove / P.O. Box 1088
Travelers Rest, SC 29690



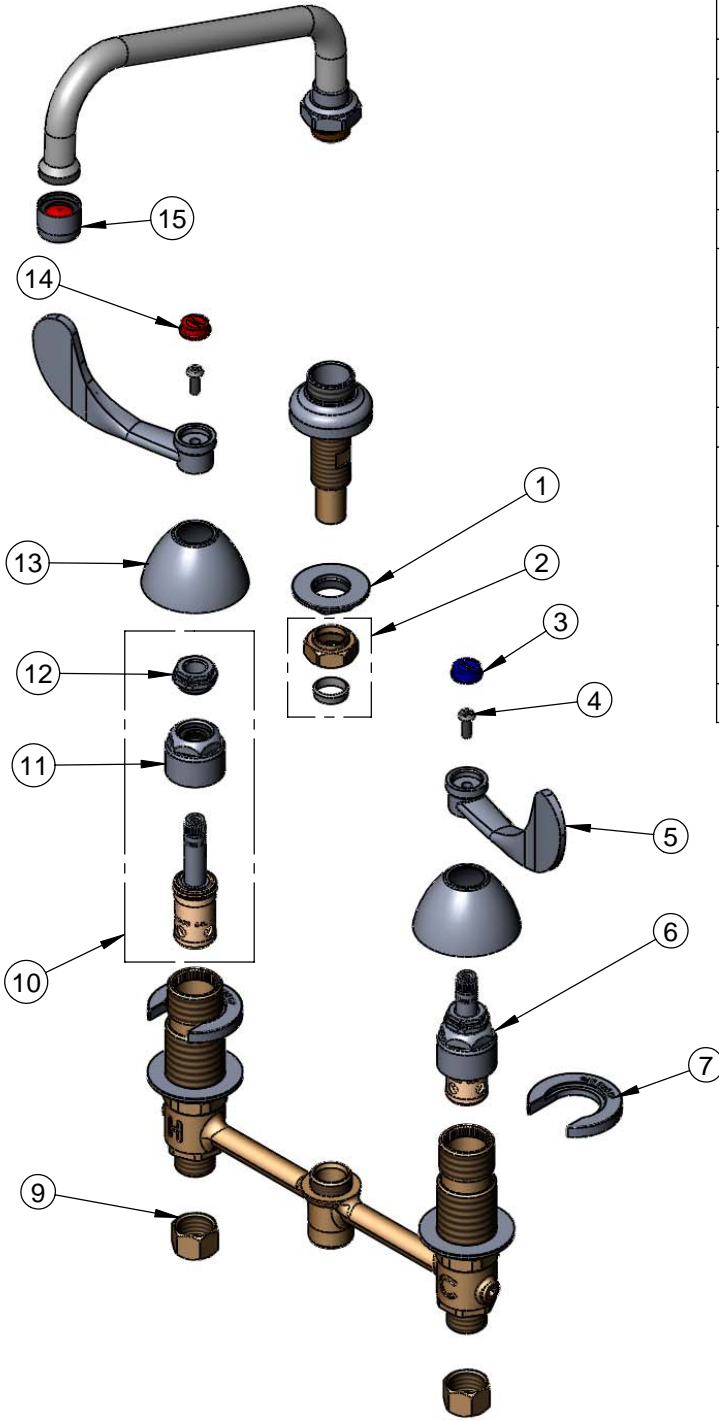
REG. #A2601
ISO #9001

Model No.

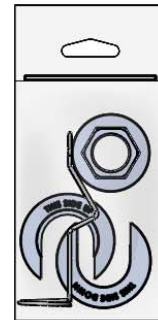
B-2347-01

Item No.

Travelers Rest, SC: 800-476-4103 Simi Valley, CA: 800-423-0150 Fax: 864-834-3518 www.tsbrass.com



ITEM NO.	SALES NO.	DESCRIPTION
1	016742-45	Center Flange Nut
2	016745-45	Compression Nut & Fitting
3	001686-45	Blue CW Index
4	000925-45	Lab Handle Screw
5	B-WH4	4" Wrist Action Handle
6	016752-40	CWS Bonnet & LTC Eterna Cartridge
7	016749-45	C-Washer
8	016777-45	CWS Hanger
9	000958-20	Coupling Nut
10	016753-40	CWS Bonnet & RTC Eterna Cartridge
11	016743-25	CWS Bonnet Assembly
12	009002-25	Packing Assembly
13	001257-40	Bell Escutcheon
14	001194-45	Red HW Index
15	B-0199-01	2.2GPM Aerator



017245-40
Installation Repair Kit
Includes #1, (2)#7 & #8

Product Specifications:

EasyInstall Faucet w/ 4" Wrist
Action Handles, Compression Cartridges, 8" Inlet
Centers & Swing Nozzle w/2.2 GPM Aerator

Drawn JRM	Checked GEF	Approved JHB
Scale: NTS		Date: 07/31/08