



# T&S BRASS AND BRONZE WORKS, INC.

2 Saddleback Cove / P.O. Box 1088  
Travelers Rest, SC 29690



REG. #A2601  
ISO #9001

Model No.

**B-3962-01**

Item No.

Travelers Rest, SC: 800-476-4103 Simi Valley, CA: 800-423-0150 Fax: 864-834-3518 www.tsbrass.com

This Space for Architect/Engineer Approval

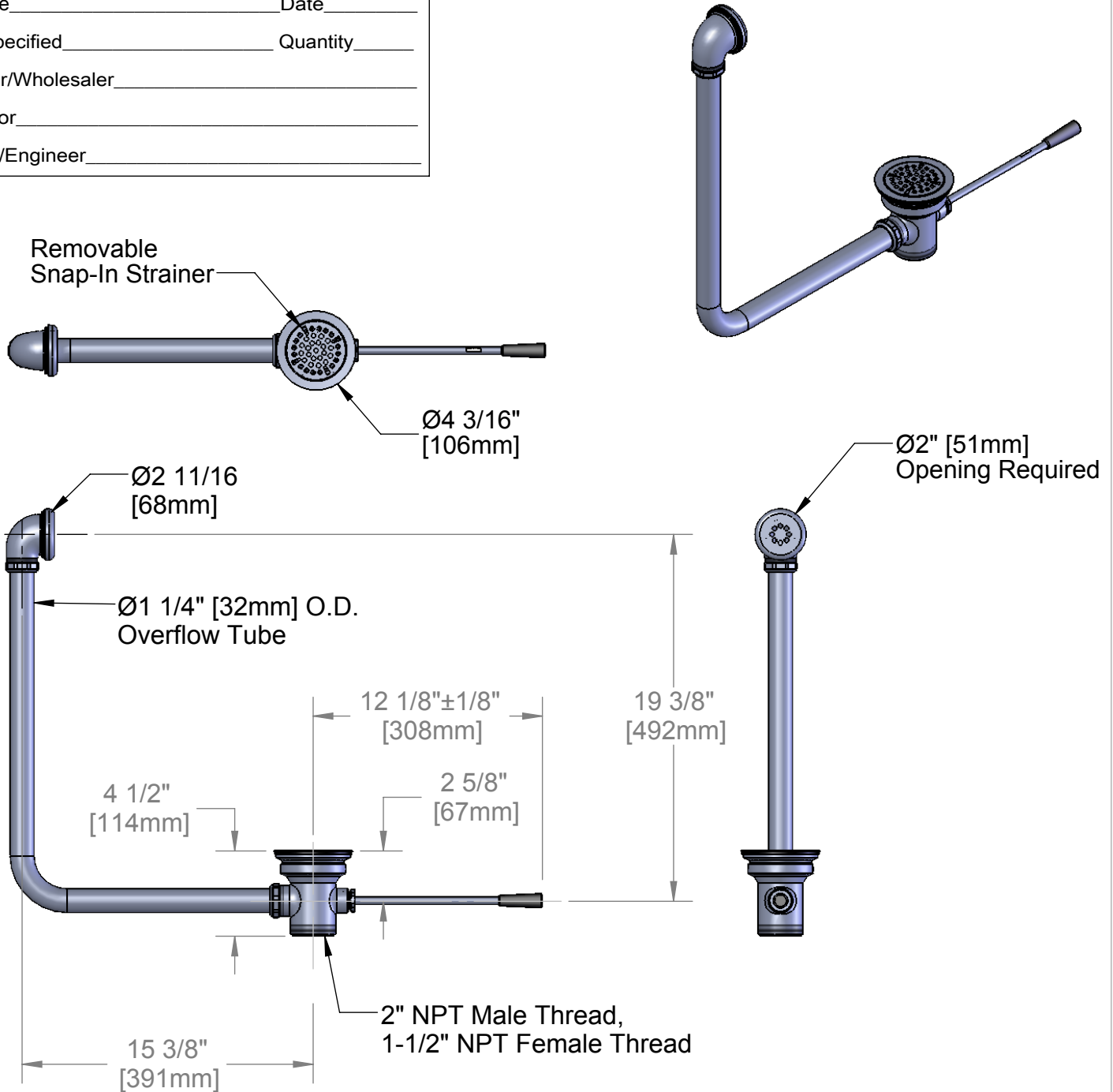
Job Name \_\_\_\_\_ Date \_\_\_\_\_

Model Specified \_\_\_\_\_ Quantity \_\_\_\_\_

Customer/Wholesaler \_\_\_\_\_

Contractor \_\_\_\_\_

Architect/Engineer \_\_\_\_\_



Product Specifications:

Waste Drain Valve w/ Lever Handle, 3" Sink Opening, 2" NPT Male / 1-1/2" NPT Female Outlet & Overflow Tube w/ Head Asm.

Drawn  
DHL

Checked  
JRM

Approved  
JHB

Scale:

1:8

Date:

3/19/07



**T&S BRASS AND BRONZE WORKS, INC.**

2 Saddleback Cove / P.O. Box 1088  
Travelers Rest, SC 29690



REG. #A2601  
ISO #9001

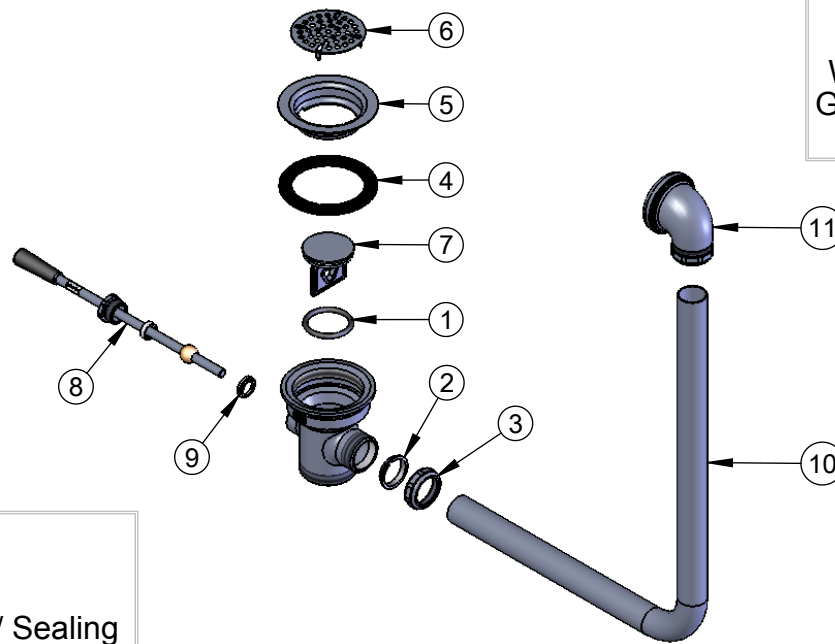
Model No.

**B-3962-01**

Item No.

Travelers Rest, SC: 800-476-4103 Simi Valley, CA: 800-423-0150 Fax: 864-834-3518 www.tsbrass.com

| ITEM NO. | SALES NO. | DESCRIPTION                           |
|----------|-----------|---------------------------------------|
| 1        | 010389-45 | O-Ring, Plunger                       |
| 2        | 010390-45 | Ferrule, Coupling Nut                 |
| 3        | 010391-45 | Nut, Coupling For Twist Drain         |
| 4        | 015305-45 | Gasket, 3" Face Flange                |
| 5        | 015306-45 | Flange, 3" Face                       |
| 6        | 015307-45 | Strainer, 3" Snap-in                  |
| 7        | 015405-45 | Plunger Casting For Lever Waste Drain |
| 8        | 010394-45 | Handle Asm, Waste Drain Valve Lever   |
| 9        | 010392-45 | Bushing, Waste Drain Lever Handle     |
| 10       | 011355-45 | Tube, Overflow Elbow                  |
| 11       | 011356-45 | Head Asm, Overflow Tube               |



Also Furnished w/ Sealing Cap When Overflow Tube Coupling Nut is not Used.  
PN #012640-45

Product Specifications:

Waste Drain Valve w/ Lever Handle, 3" Sink Opening, 2" NPT Male / 1-1/2" NPT Female Outlet & Overflow Tube w/ Head Asm.

|                       |                       |                         |
|-----------------------|-----------------------|-------------------------|
| Drawn<br><b>DHL</b>   | Checked<br><b>JRM</b> | Approved<br><b>JHB</b>  |
| Scale:<br><b>1:16</b> |                       | Date:<br><b>3/19/07</b> |