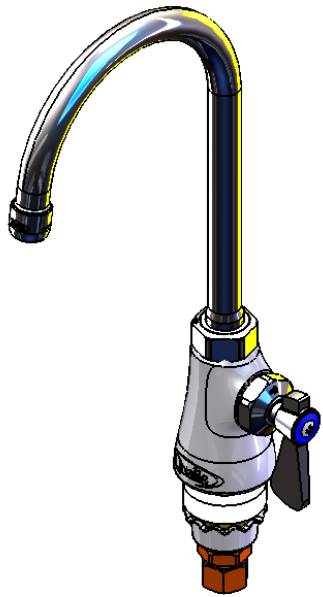




ADA COMPLIANT



This Space for Architect/Engineer Approval

Job Name \_\_\_\_\_ Date \_\_\_\_\_

Model Specified \_\_\_\_\_ Quantity \_\_\_\_\_

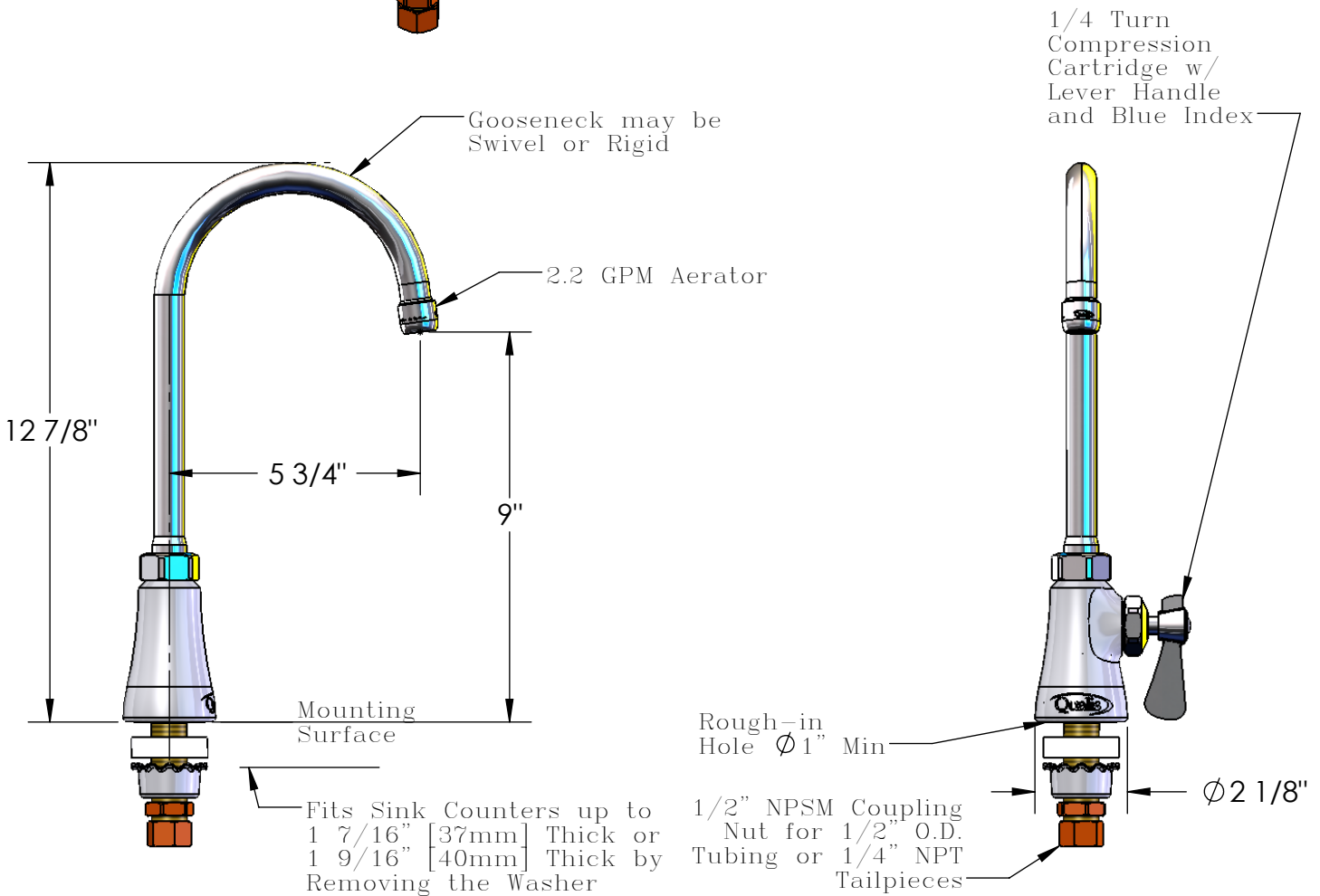
Customer/Wholesaler \_\_\_\_\_

Contractor \_\_\_\_\_

Architect/Engineer \_\_\_\_\_

Available Options

Model Suffix #	Description
<input type="checkbox"/> -5A	2.2 GPM VR Aerator
<input type="checkbox"/> -5B	0.5 GPM Aerator
<input type="checkbox"/> -5C	0.5 GPM VR Aerator
<input type="checkbox"/> -5D	2.2 GPM Laminar Flow
<input type="checkbox"/>	
<input type="checkbox"/> -VR5C	Complete VR Pkg (0.5 GPM)
<input type="checkbox"/> -VR5A	Complete VR Pkg (2.2 GPM)
<input type="checkbox"/>	



Model Number  
Q-119YB

Date  
04/04/08

Scale  
1:4

Drawn  
JRM

Checked  
GEF

Approved  
JHB



Product Specifications:

Single Hole/ Single Control Deck Mount Faucet, Compression Cartridge, Lever Handle, 5 3/4" Gooseneck (GN-B), & 2.2 GPM Aerator



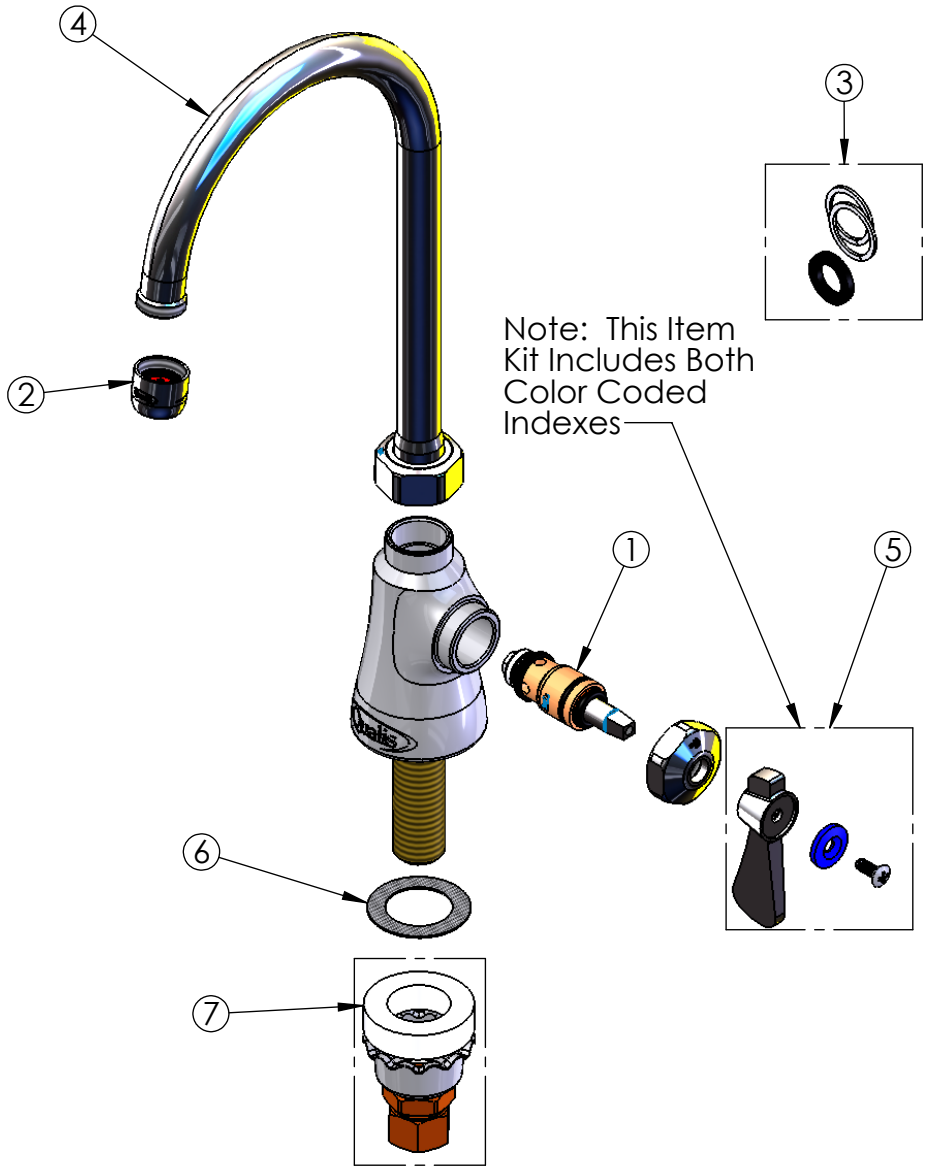
T&S BRASS AND BRONZE WORKS, INC.  
2 Saddleback Cove, P.O. Box 1088  
Travelers Rest, South Carolina 29690

Phone: 800.476.4103 Fax: 800.834.3518, Simi Valley 800.423.0750



REG. #A2601  
ISO #9001

ITEM NO.	SALES NO.	DESCRIPTION
1	Q015387-40	Standard Compression Cartridge, Hot
2	Q014986-45	Aerator, Female, 2.2 GPM
3	Q016062-45	GN Swivel/Rigid Kit
4	Q015378-40	5 3/4" Gooseneck (GN-B)
5	Q015973-40	Lever Handle, 1-Pack Kit
6	011821-45	Abrasive Washer
7	Q015424-40	Shank Hardware



Model Number Q-119YB	Date 04/04/08	Scale 1:4	Drawn JRM	Checked GEF	Approved JHB
-------------------------	------------------	--------------	--------------	----------------	-----------------



Product Specifications:  
 Single Hole/ Single Control Deck Mount Faucet,  
 Compression Cartridge, Lever Handle,  
 5 3/4" Gooseneck (GN-B), & 2.2 GPM Aerator



T&S BRASS AND BRONZE WORKS, INC.  
 2 Saddleback Cove, P.O. Box 1088  
 Travelers Rest, South Carolina 29690

Phone: 800.476.4103 Fax: 800.834.3518, Simi Valley 800.423.0750



REG. #A2601  
 ISO #9001