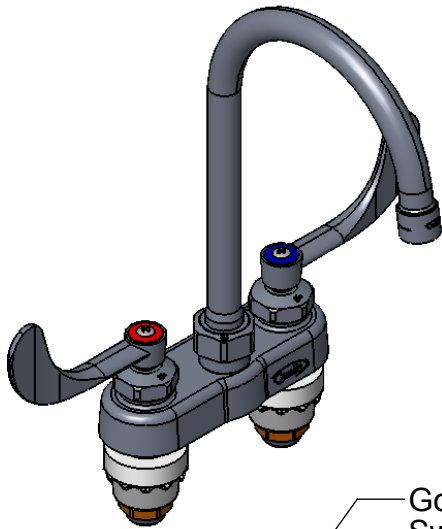




ADA COMPLIANT



*This Space for Architect/Engineer Approval*

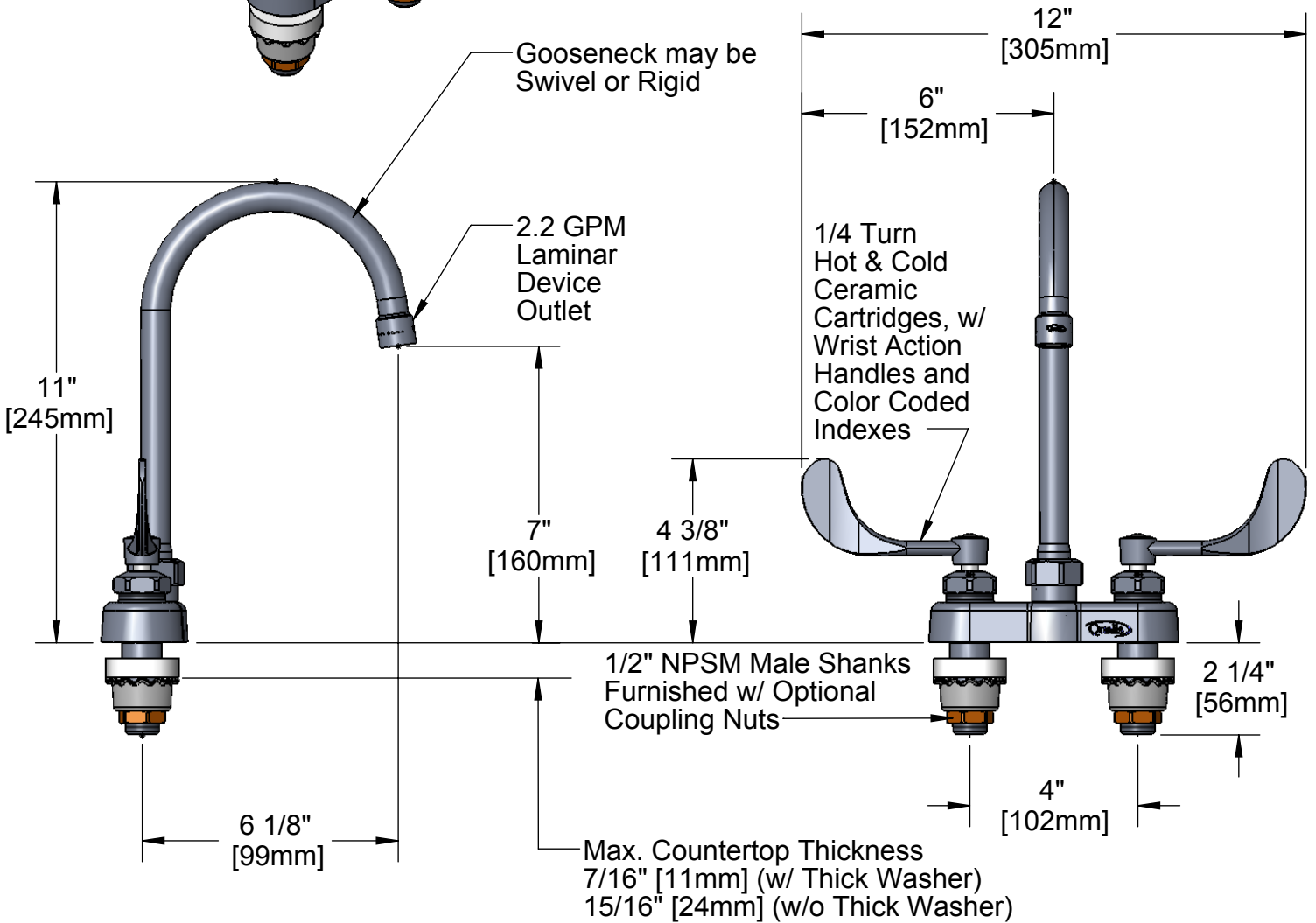
Job Name \_\_\_\_\_ Date \_\_\_\_\_

Model Specified \_\_\_\_\_ Quantity \_\_\_\_\_

Customer/Wholesaler \_\_\_\_\_

Contractor \_\_\_\_\_

Architect/Engineer \_\_\_\_\_



Model Number Q-438WB-5D	Date 7/31/07	Scale 1:4	Drawn DHL	Checked JRM	Approved JHB
----------------------------	-----------------	--------------	--------------	----------------	-----------------



Product Specifications:  
 4" Centerset Mixing Faucet, Ceramic Cartridges, Wrist Action Handles, 5 3/4" Gooseneck (GN-B), 2.2 GPM Laminar Device Outlet

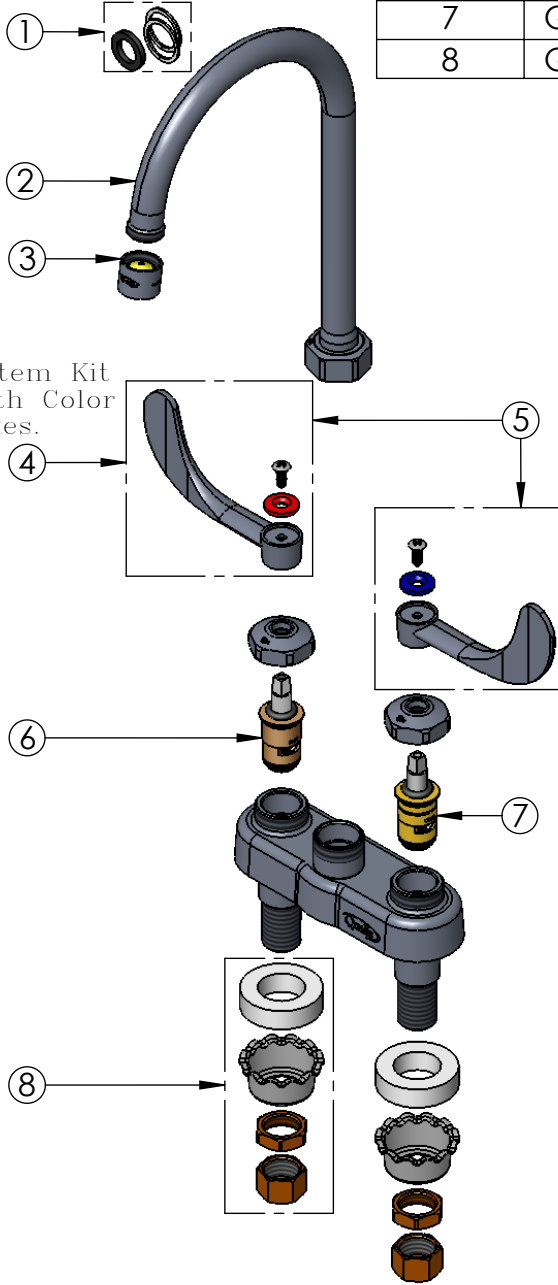


T&S BRASS AND BRONZE WORKS, INC.  
 2 Saddleback Cove, P.O. Box 1088  
 Travelers Rest, South Carolina 29690  
 Phone: 800.476.4103 Fax: 800.834.3518, Simi Valley 800.423.0750



REG. #A2601  
 ISO #9001

ITEM NO.	SALES NO.	DESCRIPTION
1	Q016062-45	Kit, Swivel/Rigid Gooseneck Repair
2	Q015378-40	5 3/4" Gooseneck (GN-B)
3	Q016075-45	Laminar Device, 2.2 GPM
4	Q015975-40	Wrist Action Handle, 1-Pack
5	Q015974-40	Wrist Action Handle, 2-Pack
6	Q015383-40	Standard Ceramic Cartridge, Hot
7	Q015384-40	Standard Ceramic Cartridge, Cold
8	Q015424-40	Shank Hardware



Note: This Item Kit Includes Both Color Coded Indexes.

Model Number Q-438WB-5D	Date 7/31/07	Scale 1:4	Drawn DHL	Checked JRM	Approved JHB
----------------------------	-----------------	--------------	--------------	----------------	-----------------



Product Specifications:  
4" Centerset Mixing Faucet, Ceramic Cartridges, Wrist Action Handles, 5 3/4" Gooseneck (GN-B), 2.2 GPM Laminar Device Outlet



T&S BRASS AND BRONZE WORKS, INC.  
2 Saddleback Cove, P.O. Box 1088  
Travelers Rest, South Carolina 29690  
Phone: 800.476.4103 Fax: 800.834.3518, Simi Valley 800.423.0750



REG. #A2601  
ISO #9001