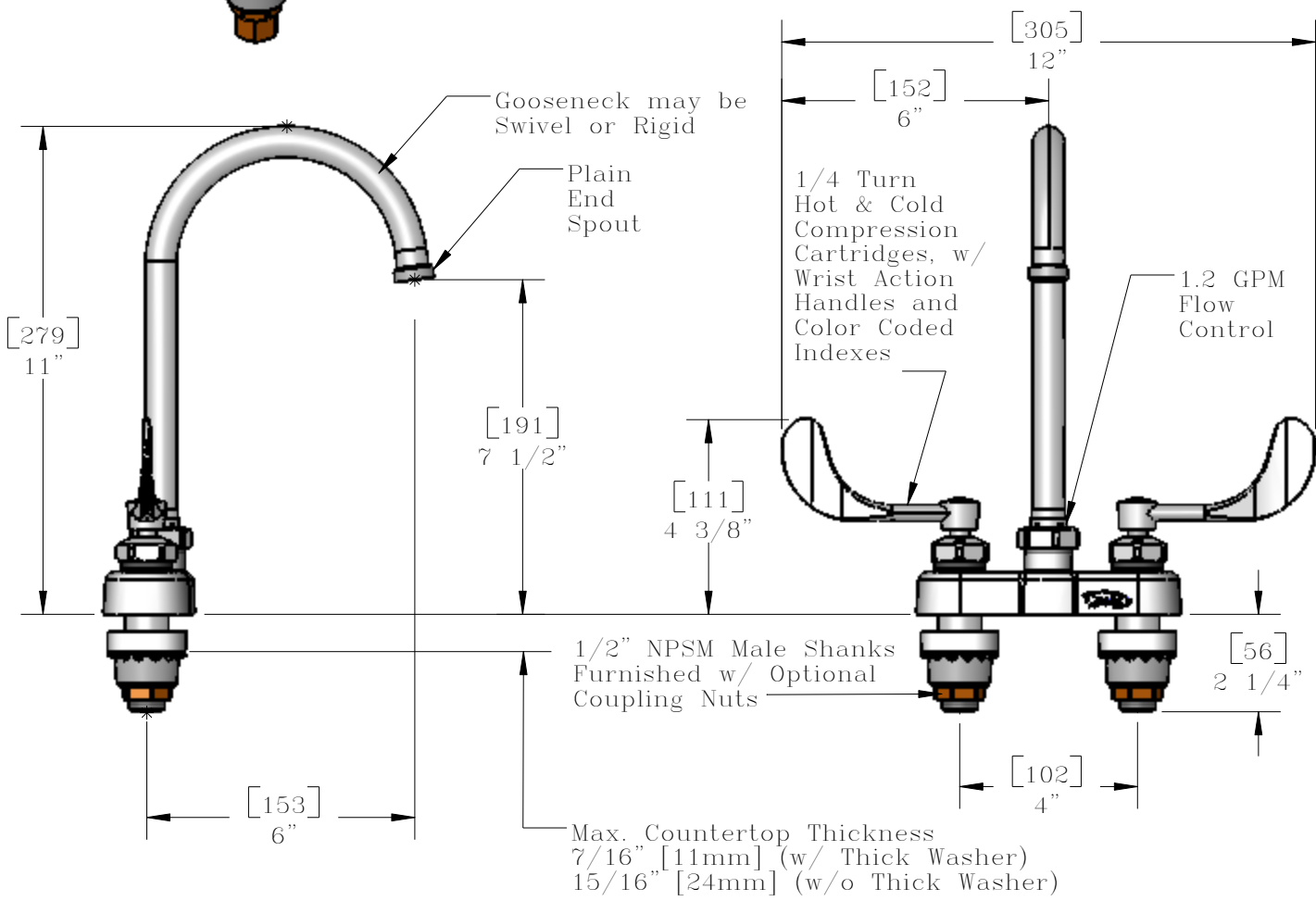
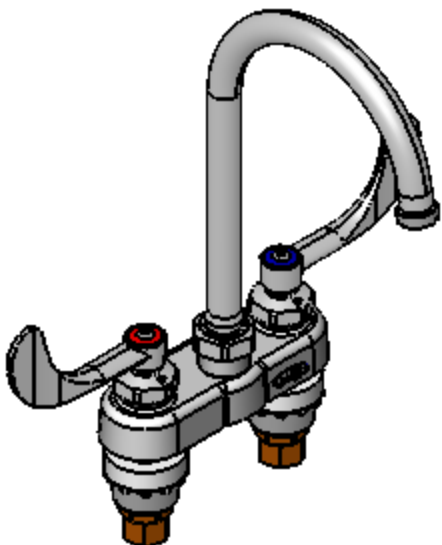




This Space for Architect/Engineer Approval
 Job Name _____ Date _____
 Model Specified _____ Quantity _____
 Customer/Wholesaler _____
 Contractor _____
 Architect/Engineer _____



Model Number Q-439WB-5W	Date 8/14/06	Scale 1:4	Drawn DHL	Checked JRM	Approved JHB
----------------------------	-----------------	--------------	--------------	----------------	-----------------



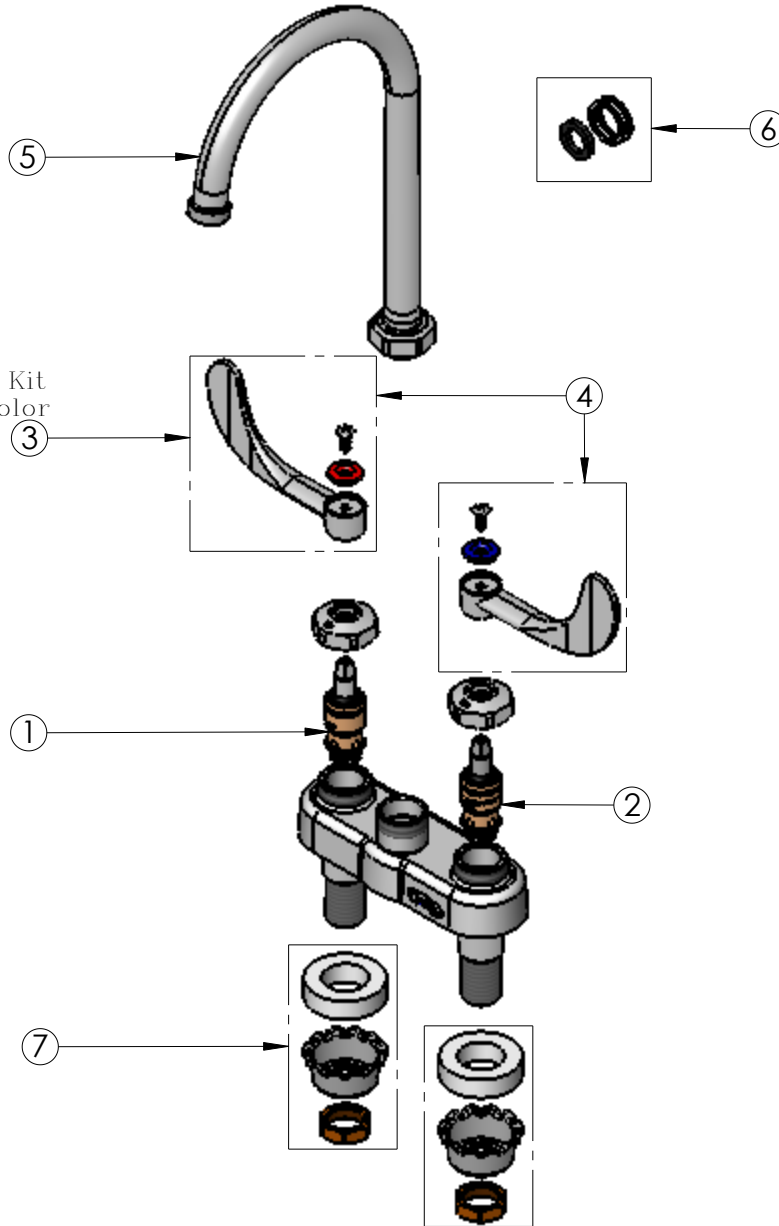
Product Specifications:
**4" Centerset Mixing Faucet, Compression Cartridges,
 Wrist Action Handles, 5 3/4" Gooseneck (GN-B),
 1.2 GPM Flow Control**

T&S T&S BRASS AND BRONZE WORKS, INC.
 2 Saddleback Cove, P.O. Box 1088
 Travelers Rest, South Carolina 29690
 Phone: 800.476.4103 Fax: 800.834.3518, Simi Valley 800.423.0750



REG. #A2601
 ISO #9001

ITEM NO.	SALES NO.	DESCRIPTION
1	Q015387-40	Standard Compression Cartridge, Hot
2	Q015388-40	Standard Compression Cartridge, Cold
3	Q015975-40	Wrist Action Handle, 1-Pack Kit
4	Q015974-40	Wrist Action Handle, 2-Pack Kit
5	Q015440-40	5 3/4" Gooseneck (GN-B) w/ 1.2 GPM Flow Control & Spout Ring
6	Q016062-45	GN Swivel/Rigid Kit
7	Q015424-40	Shank Hardware



Note: This Item Kit Includes Both Color Coded Indexes.

Model Number
Q-439WB-5W

Date
8/14/06

Scale
1:4

Drawn
DHL

Checked
JRM

Approved
JHB



Product Specifications:
4" Centerset Mixing Faucet, Compression Cartridges,
Wrist Action Handles, 5 3/4" Gooseneck (GN-B),
1.2 GPM Flow Control



T&S BRASS AND BRONZE WORKS, INC.
2 Saddleback Cove, P.O. Box 1088
Travelers Rest, South Carolina 29690
Phone: 800.476.4103 Fax: 800.834.3518, Simi Valley 800.423.0750



REG. #A2601
ISO #9001