



ADA COMPLIANT

This Space for Architect/Engineer Approval

Job Name \_\_\_\_\_ Date \_\_\_\_\_

Model Specified \_\_\_\_\_ Quantity \_\_\_\_\_

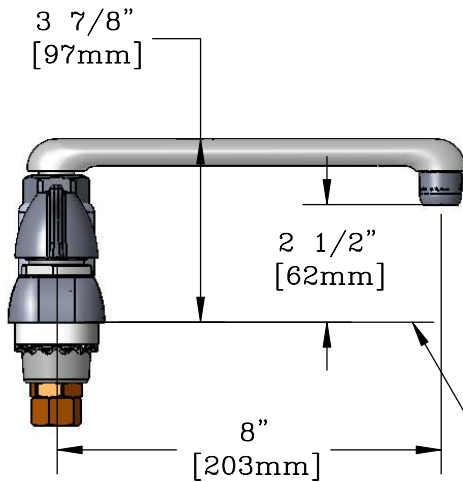
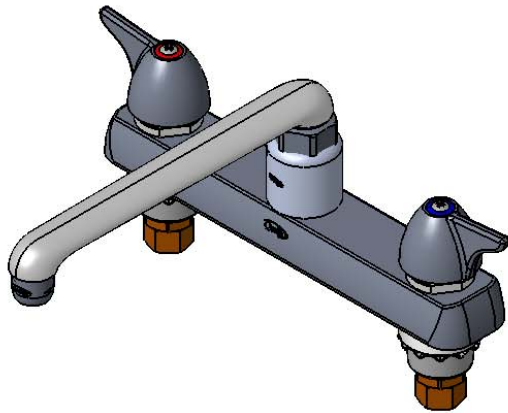
Customer/Wholesaler \_\_\_\_\_

Contractor \_\_\_\_\_

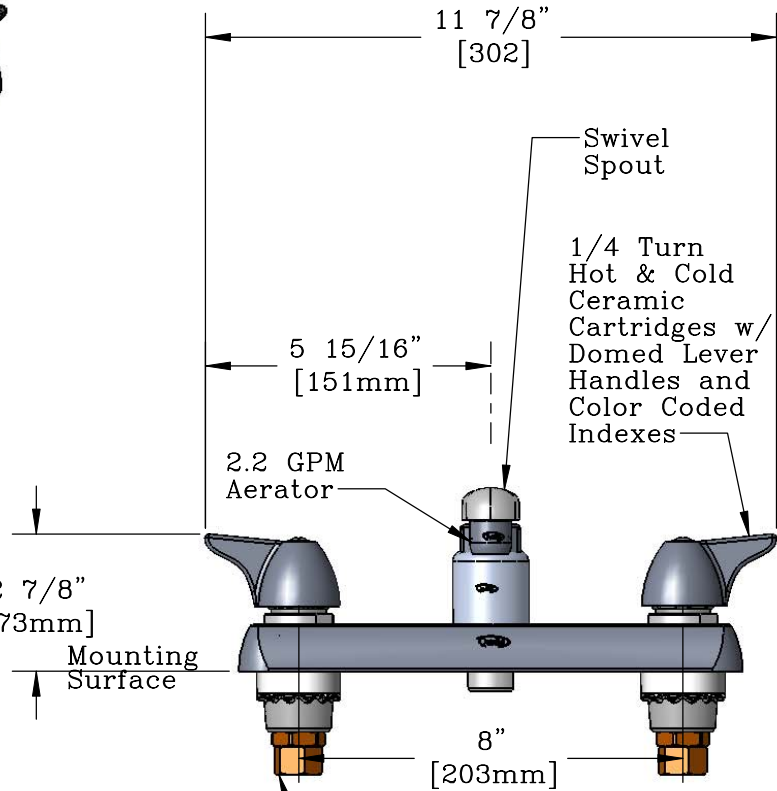
Architect/Engineer \_\_\_\_\_

Available Options

| Model Suffix #                 | Description               |
|--------------------------------|---------------------------|
| <input type="checkbox"/> -5A   | 2.2 GPM VR Aerator        |
| <input type="checkbox"/> -5B   | 0.5 GPM Aerator           |
| <input type="checkbox"/> -5C   | 0.5 GPM VR Aerator        |
| <input type="checkbox"/> -5D   | 2.2 GPM Laminar Flow      |
| <input type="checkbox"/>       |                           |
| <input type="checkbox"/> -VR5C | Complete VR Pkg (0.5 GPM) |
| <input type="checkbox"/> -VR5A | Complete VR Pkg (2.2 GPM) |
| <input type="checkbox"/>       |                           |



Max. Countertop Thickness  
 7/16" [11mm] (w/ Thick Washer)  
 15/16" [24mm] (w/o Thick Washer)



1/2" NPSM  
 Male Shanks  
 Furnished  
 w/ Optional  
 Coupling Nuts

Note: Rough-In Requirements  
 (3) Ø1" Holes

|                                |                         |                     |                     |                       |                        |
|--------------------------------|-------------------------|---------------------|---------------------|-----------------------|------------------------|
| Model Number<br><b>Q-838XG</b> | Date<br><b>04/04/08</b> | Scale<br><b>1:4</b> | Drawn<br><b>JRM</b> | Checked<br><b>GEF</b> | Approved<br><b>JHB</b> |
|--------------------------------|-------------------------|---------------------|---------------------|-----------------------|------------------------|



Product Specifications:

**8" Exposed Deck Mount Mixing Faucet,  
 Ceramic Cartridges, Domed Lever Handles,  
 8" Cast Spout & 2.2 GPM Aerator**



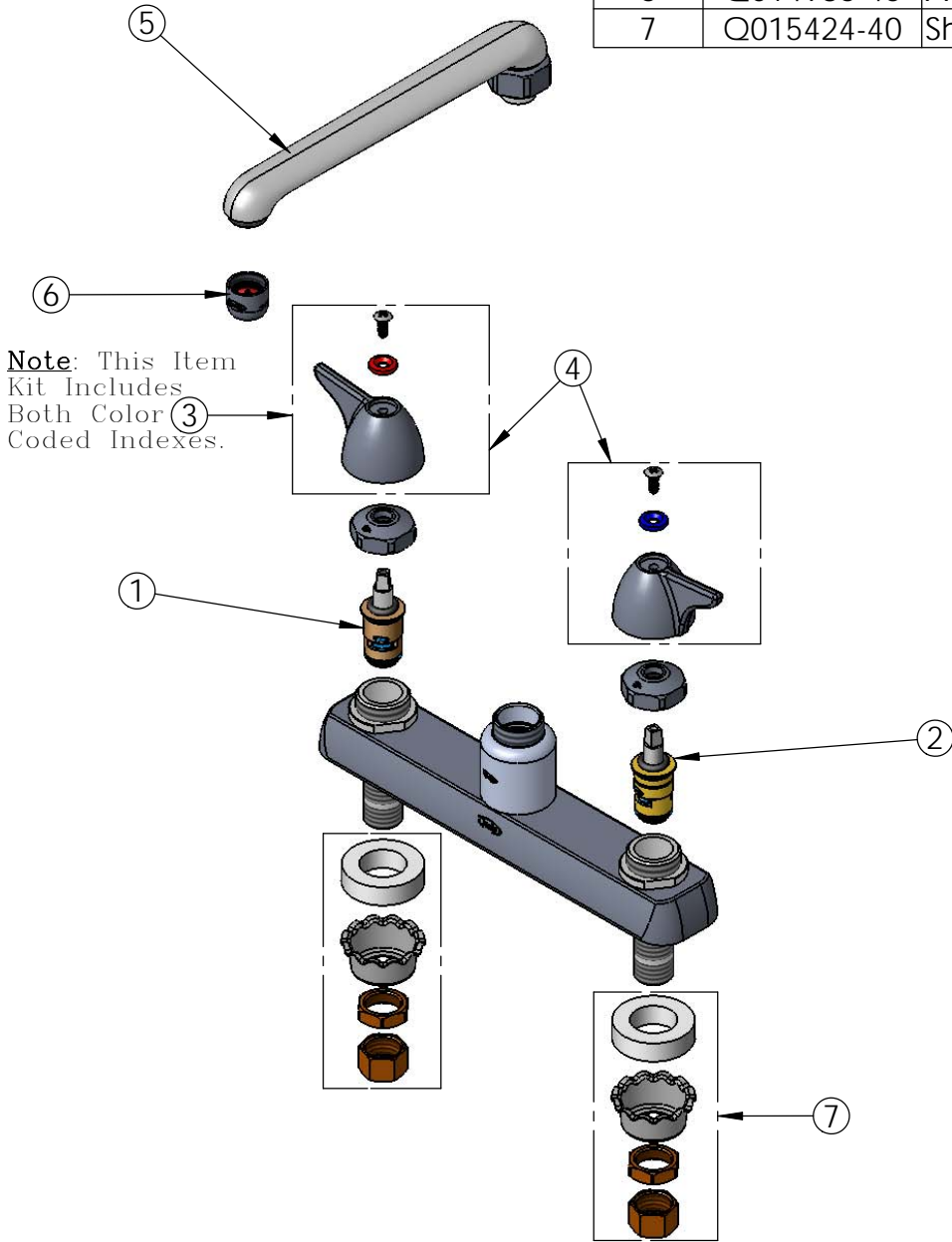
T&S BRASS AND BRONZE WORKS, INC.  
 2 Saddleback Cove, P.O. Box 1088  
 Travelers Rest, South Carolina 29690

Phone: 800.476.4103 Fax: 800.834.3518, Simi Valley 800.423.0750



REG. #A2601  
 ISO #9001

| ITEM NO. | SALES NO.  | DESCRIPTION                      |
|----------|------------|----------------------------------|
| 1        | Q015383-40 | Standard Ceramic Cartridge, Hot  |
| 2        | Q015384-40 | Standard Ceramic Cartridge, Cold |
| 3        | Q017063-40 | Domed Lever Handle, 1-Pack Kit   |
| 4        | Q017064-40 | Domed Lever Handle, 2-Pack Kit   |
| 5        | Q017061-40 | 8" Cast Spout Assembly           |
| 6        | Q014986-45 | Aerator, Female, 2.2 GPM         |
| 7        | Q015424-40 | Shank Hardware                   |



|                         |                  |              |              |                |                 |
|-------------------------|------------------|--------------|--------------|----------------|-----------------|
| Model Number<br>Q-838XG | Date<br>04/04/08 | Scale<br>1:4 | Drawn<br>JRM | Checked<br>GEF | Approved<br>JHB |
|-------------------------|------------------|--------------|--------------|----------------|-----------------|



Product Specifications:

8" Exposed Deck Mount Mixing Faucet,  
Ceramic Cartridges, Domed Lever Handles,  
8" Cast Spout & 2.2 GPM Aerator



T&S BRASS AND BRONZE WORKS, INC.  
2 Saddleback Cove, P.O. Box 1088  
Travelers Rest, South Carolina 29690

Phone: 800.476.4103 Fax: 800.834.3518, Simi Valley 800.423.0750



REG. #A2601  
ISO #9001