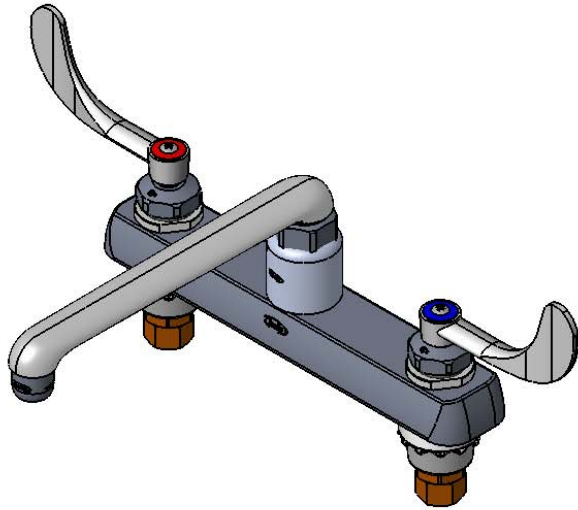




ADA COMPLIANT



This Space for Architect/Engineer Approval

Job Name _____ Date _____

Model Specified _____ Quantity _____

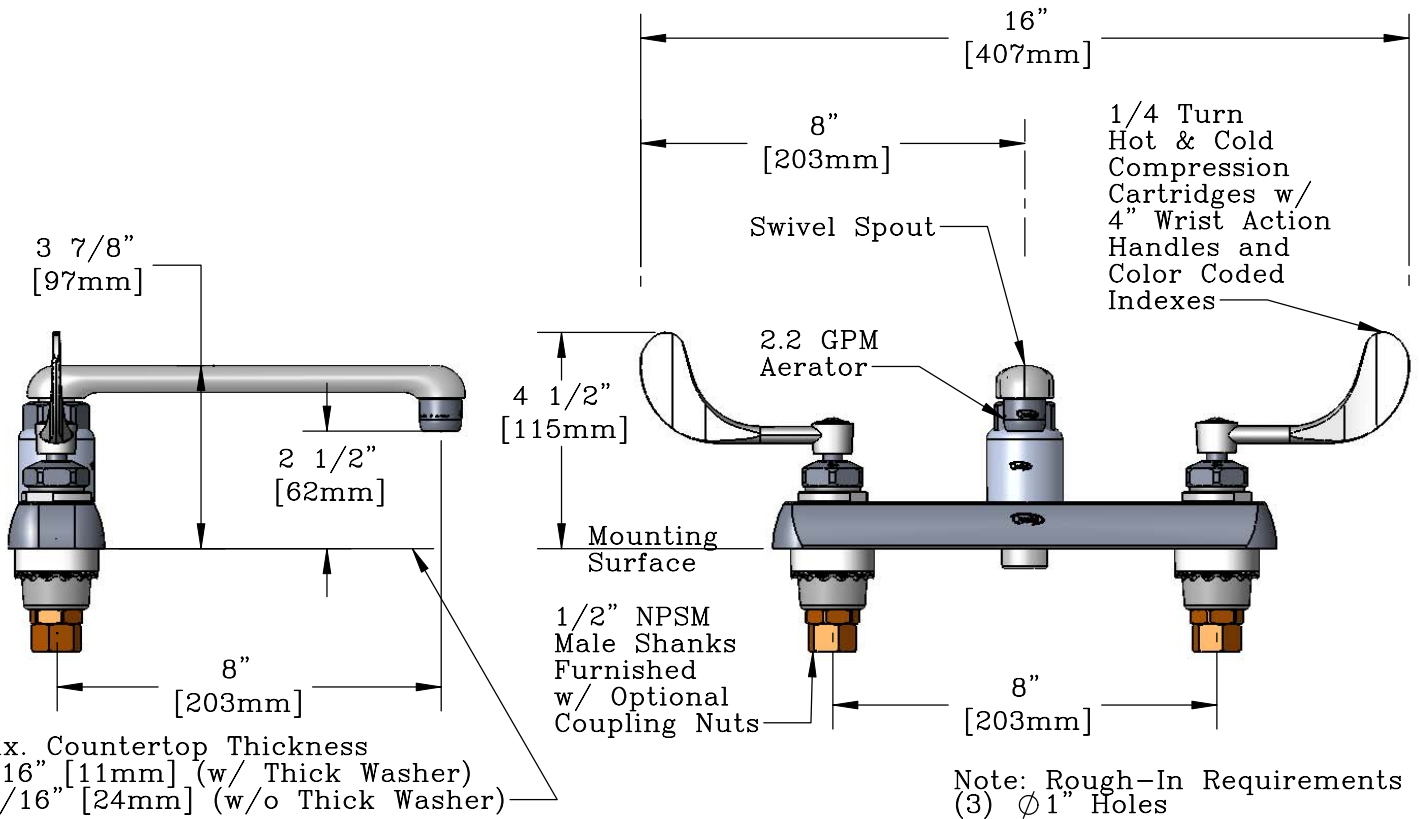
Customer/Wholesaler _____

Contractor _____

Architect/Engineer _____

Available Options

Model Suffix #	Description
<input type="checkbox"/> -5A	2.2 GPM VR Aerator
<input type="checkbox"/> -5B	0.5 GPM Aerator
<input type="checkbox"/> -5C	0.5 GPM VR Aerator
<input type="checkbox"/> -5D	2.2 GPM Laminar Flow
<input type="checkbox"/>	
<input type="checkbox"/> -VR5C	Complete VR Pkg (0.5 GPM)
<input type="checkbox"/> -VR5A	Complete VR Pkg (2.2 GPM)
<input type="checkbox"/>	



Max. Countertop Thickness
7/16" [11mm] (w/ Thick Washer)
15/16" [24mm] (w/o Thick Washer)

Note: Rough-In Requirements
(3) Ø 1" Holes

Model Number Q-839WG	Date 04/04/08	Scale 1:4	Drawn JRM	Checked GEF	Approved JHB
--------------------------------	-------------------------	---------------------	---------------------	-----------------------	------------------------



Product Specifications:

**8" Exposed Deck Mount Mixing Faucet,
Compression Cartridges, Wrist Action Handles,
8" Cast Spout & 2.2 GPM Aerator**



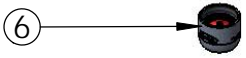
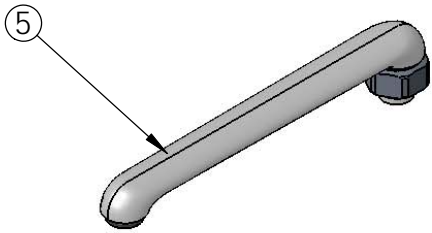
T&S BRASS AND BRONZE WORKS, INC.
2 Saddleback Cove, P.O. Box 1088
Travelers Rest, South Carolina 29690

Phone: 800.476.4103 Fax: 800.834.3518, Simi Valley 800.423.0750

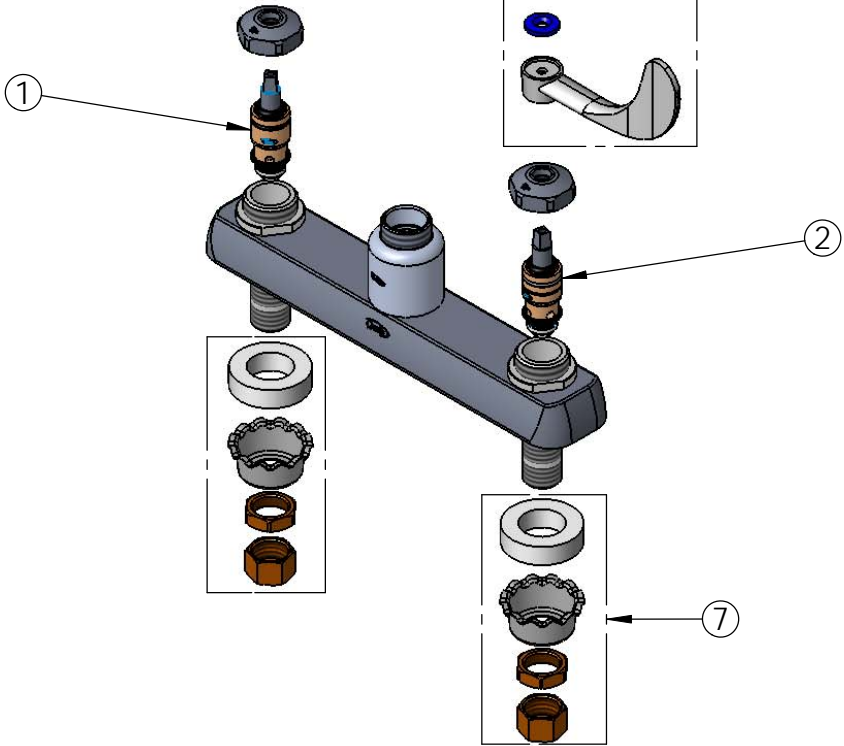
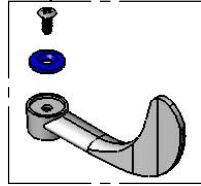
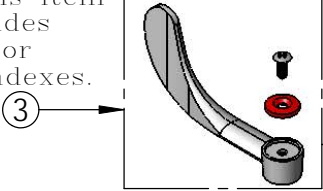


REG. #A2601
ISO #9001

ITEM NO.	SALES NO.	DESCRIPTION
1	Q015387-40	Standard Compression Cartridge, Hot
2	Q-015388-40	Standard Compression Cartridge, Cold
3	Q015975-40	Wrist Action Handle, 1-Pack Kit
4	Q015974-40	Wrist Action Handle, 2-Pack Kit
5	Q017061-40	8" Cast Spout Assembly
6	Q014986-45	Aerator, Female, 2.2 GPM
7	Q015424-40	Shank Hardware



Note: This Item Kit Includes Both Color Coded Indexes.



Model Number Q-839WG	Date 04/04/08	Scale 1:4	Drawn JRM	Checked GEF	Approved JHB
-------------------------	------------------	--------------	--------------	----------------	-----------------



Product Specifications:
**8" Exposed Deck Mount Mixing Faucet,
 Compression Cartridges, Wrist Action Handles,
 8" Cast Spout & 2.2 GPM Aerator**



T&S BRASS AND BRONZE WORKS, INC.
 2 Saddleback Cove, P.O. Box 1088
 Travelers Rest, South Carolina 29690
 Phone: 800.476.4103 Fax: 800.834.3518, Simi Valley 800.423.0750



REG. #A2601
 ISO #9001