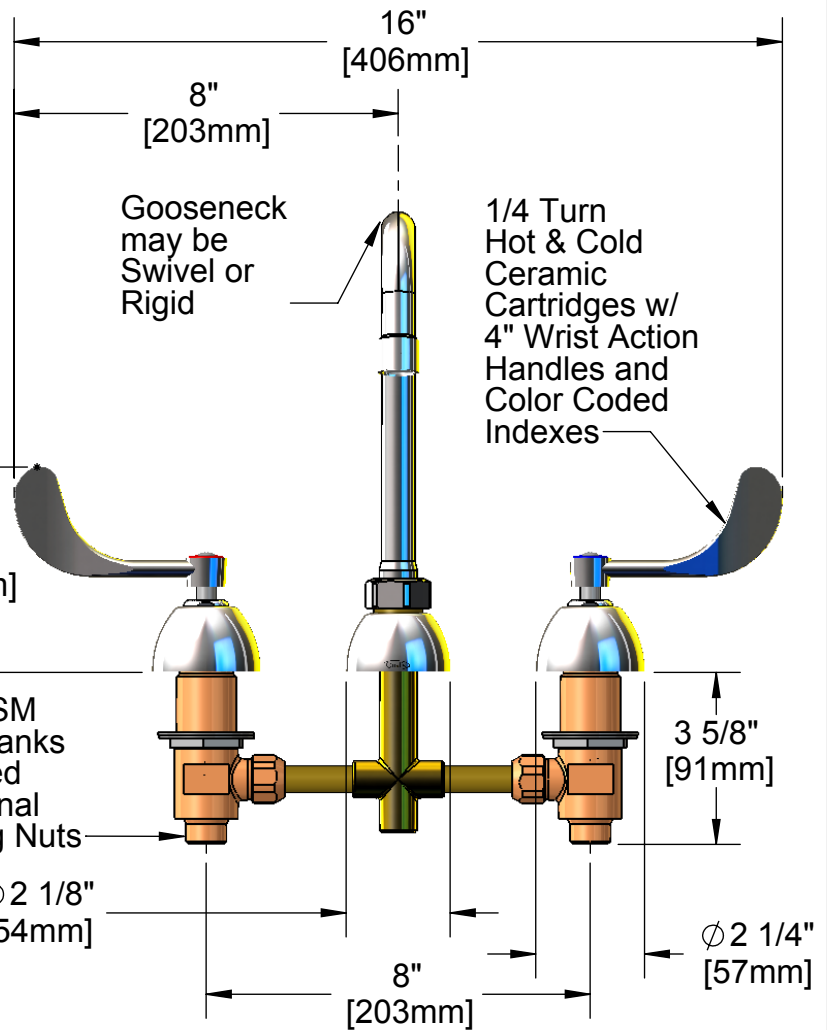
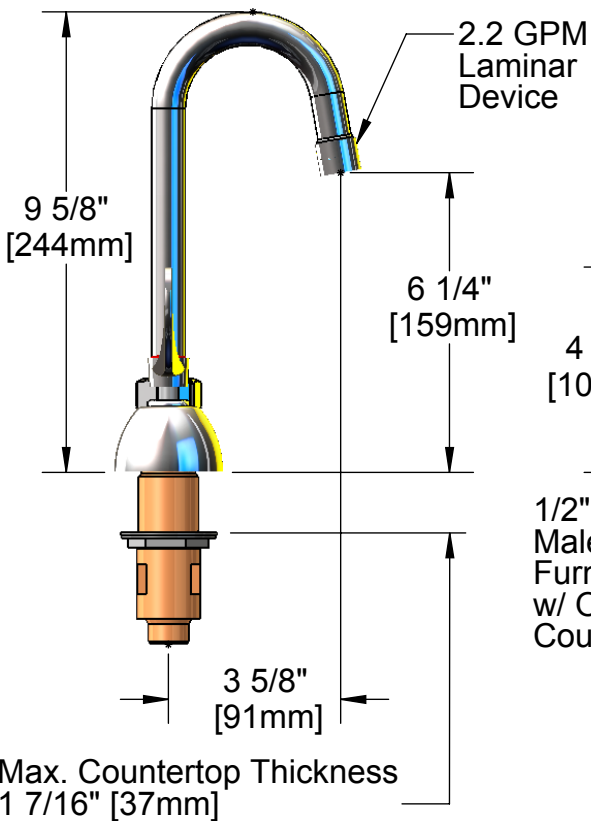
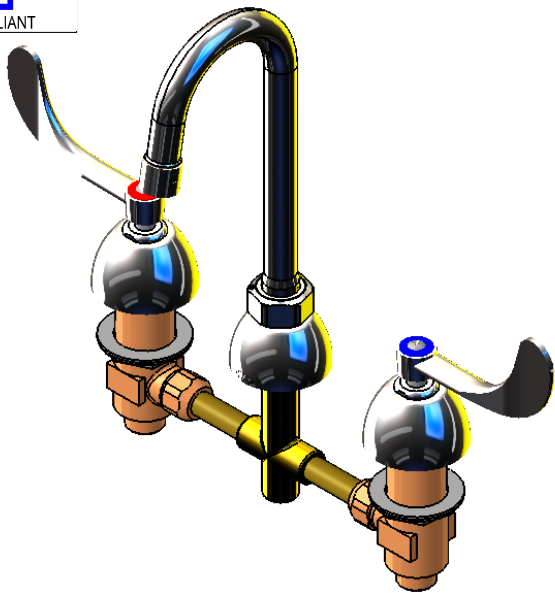




ADA COMPLIANT



This Space for Architect/Engineer Approval

Job Name _____ Date _____

Model Specified _____ Quantity _____

Customer/Wholesaler _____

Contractor _____

Architect/Engineer _____

Model Number
Q-858WA-5D

Date
02/27/08

Scale
1:4

Drawn
DHL

Checked
JRM

Approved
JHB



Product Specifications:
8" Widespread Mixing Faucet, Ceramic Cartridges, Wrist Action Handles, 3 1/2" Gooseneck (GN-A) & 2.2 GPM Laminar Device



T&S BRASS AND BRONZE WORKS, INC.
2 Saddleback Cove, P.O. Box 1088
Travelers Rest, South Carolina 29690

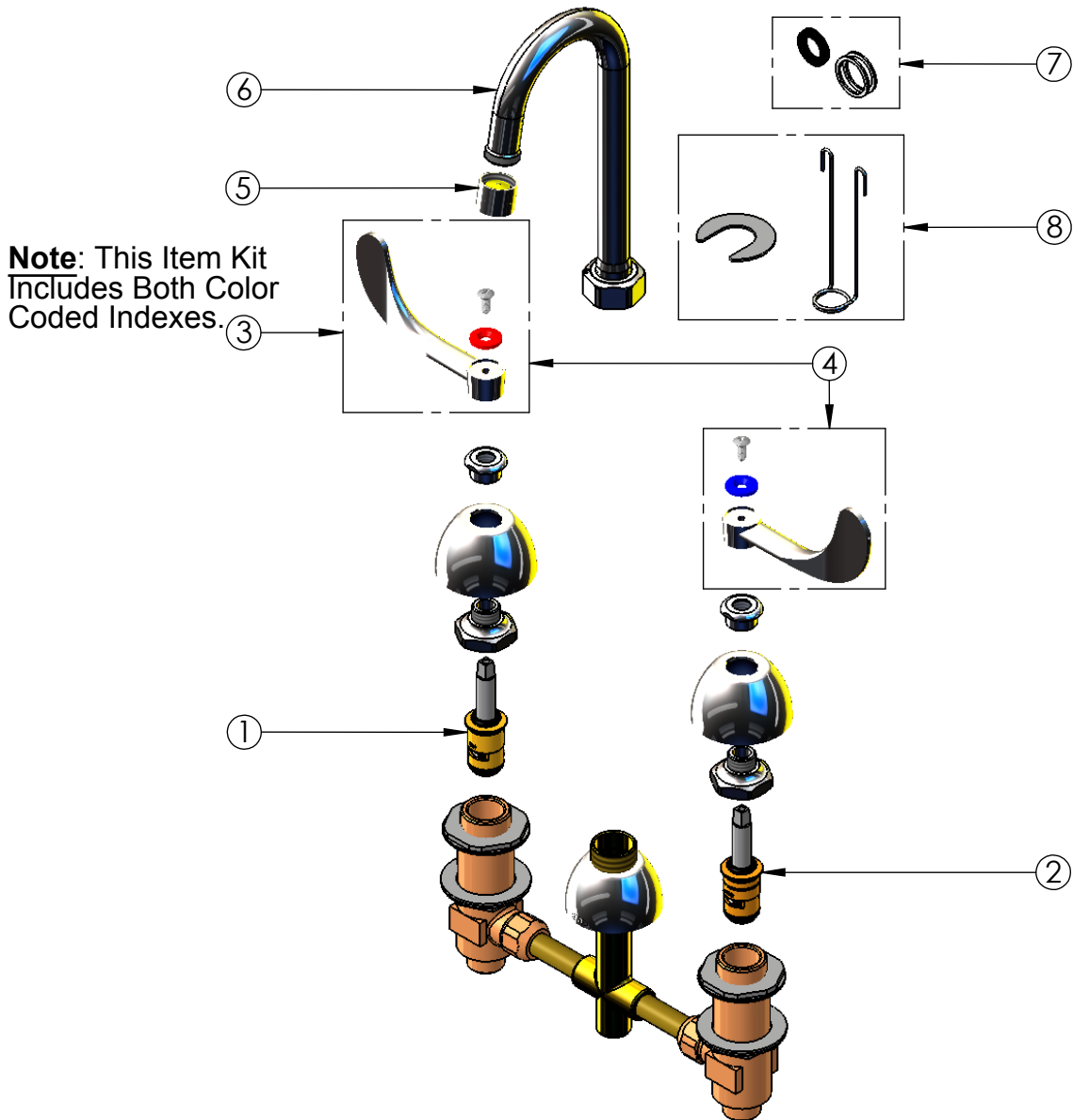
Phone: 800.476.4103 Fax: 800.834.3518, Simi Valley 800.423.0750



REG. #A2601
ISO #9001

SHEET: 1 of 2

ITEM NO.	SALES NO.	DESCRIPTION
1	Q015385-40	Long Ceramic Cartridge, Hot
2	Q015386-40	Long Ceramic Cartridge, Cold
3	Q015975-40	Wrist Action Handle, 1-Pack Kit
4	q015974-40	Wrist Action Handle, 2-Pack Kit
5	Q016075-45	Laminar Device, 2.2 GPM
6	Q015379-40	3 1/2" Gooseneck (GN-A)
7	Q016062-45	GN Swivel/Rigid Kit
8	Q-015984-45	Trim Installation Kit



Model Number Q-858WA-5D	Date 02/27/08	Scale 1:4	Drawn DHL	Checked JRM	Approved JHB
----------------------------	------------------	--------------	--------------	----------------	-----------------



Product Specifications:
8" Widespread Mixing Faucet, Ceramic Cartridges, Wrist Action Handles, 3 1/2" Gooseneck (GN-A) & 2.2 GPM Laminar Device



T&S BRASS AND BRONZE WORKS, INC.
2 Saddleback Cove, P.O. Box 1088
Travelers Rest, South Carolina 29690
Phone: 800.476.4103 Fax: 800.834.3518, Simi Valley 800.423.0750



REG. #A2601
ISO #9001