



ADA COMPLIANT

*This Space for Architect/Engineer Approval*

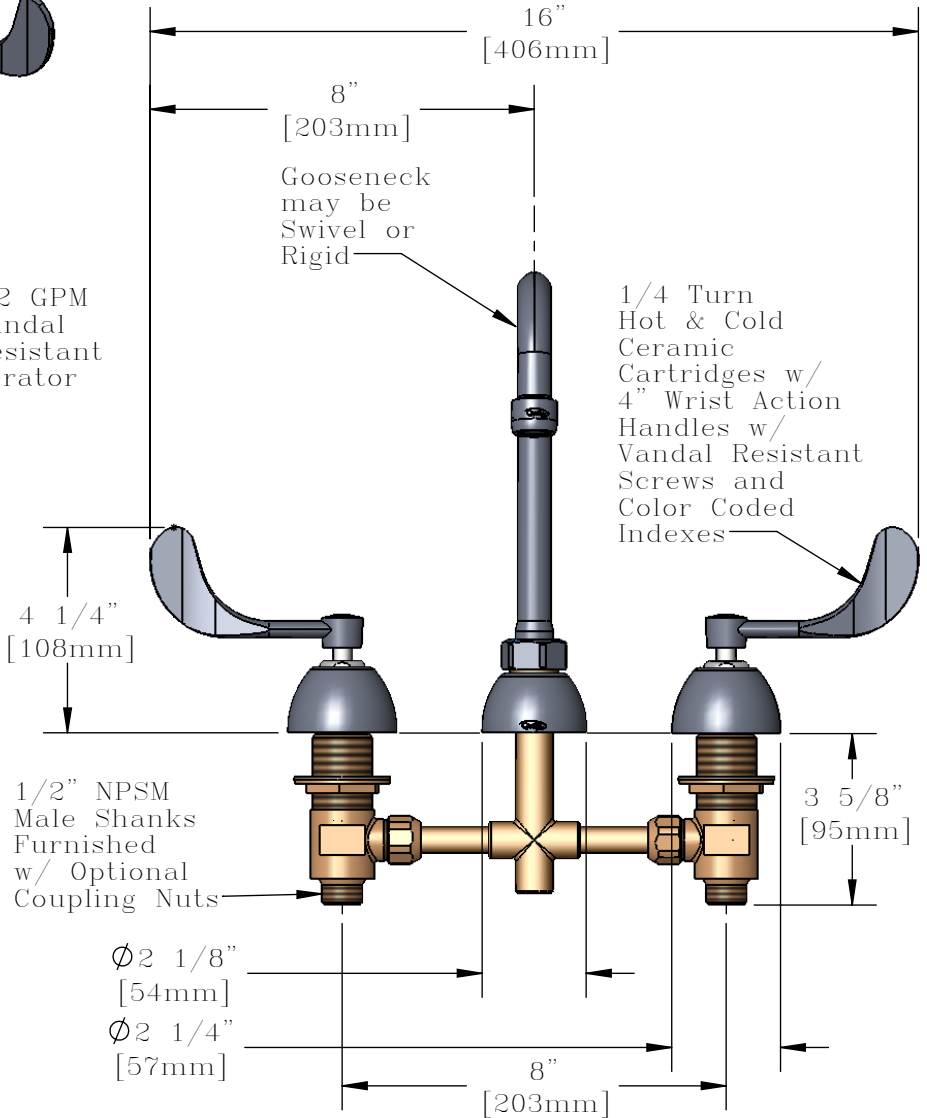
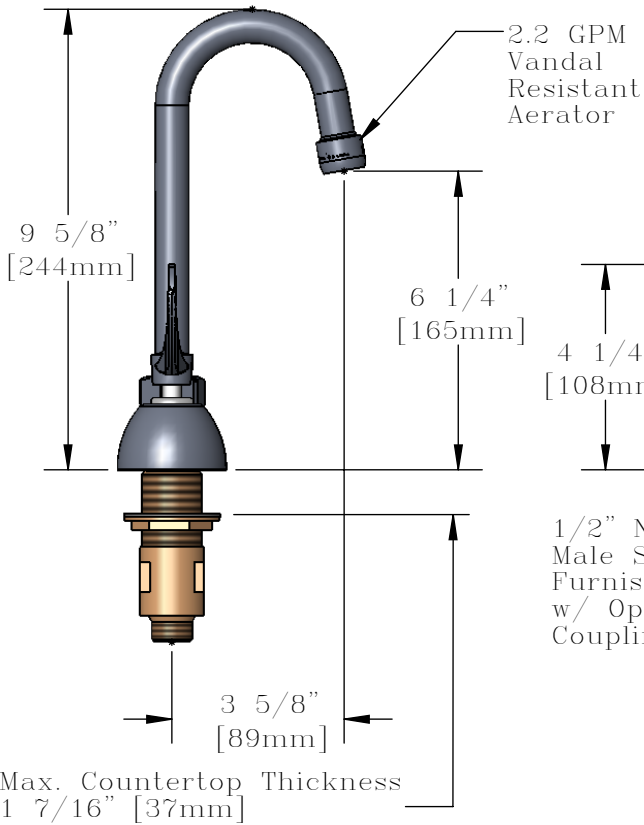
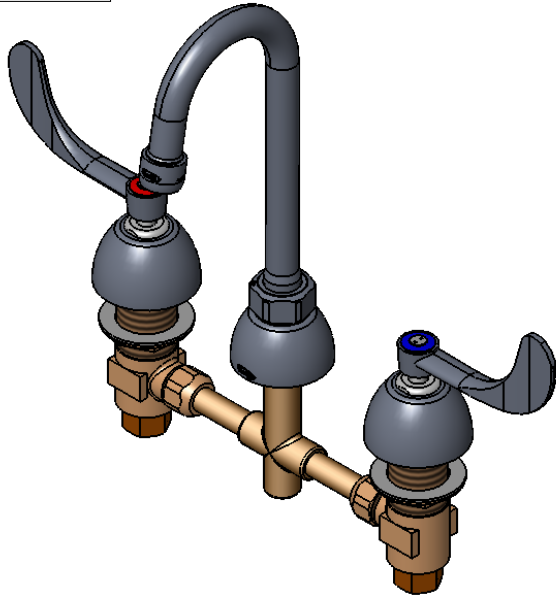
Job Name \_\_\_\_\_ Date \_\_\_\_\_

Model Specified \_\_\_\_\_ Quantity \_\_\_\_\_

Customer/Wholesaler \_\_\_\_\_

Contractor \_\_\_\_\_

Architect/Engineer \_\_\_\_\_



Model Number  
Q-858WA-VR5A

Date  
11/14/07

Scale  
1:4

Drawn  
DHL

Checked  
JRM

Approved  
JHB



Product Specifications:  
8" Widespread Mixing Faucet, Ceramic Cartridges, Wrist Action Handles w/ Vandal Resistant Screws, 3 1/2" Gooseneck (GN-A), 2.2 GPM Vandal Resistant Aerator



T&S BRASS AND BRONZE WORKS, INC.  
2 Saddleback Cove, P.O. Box 1088  
Travelers Rest, South Carolina 29690

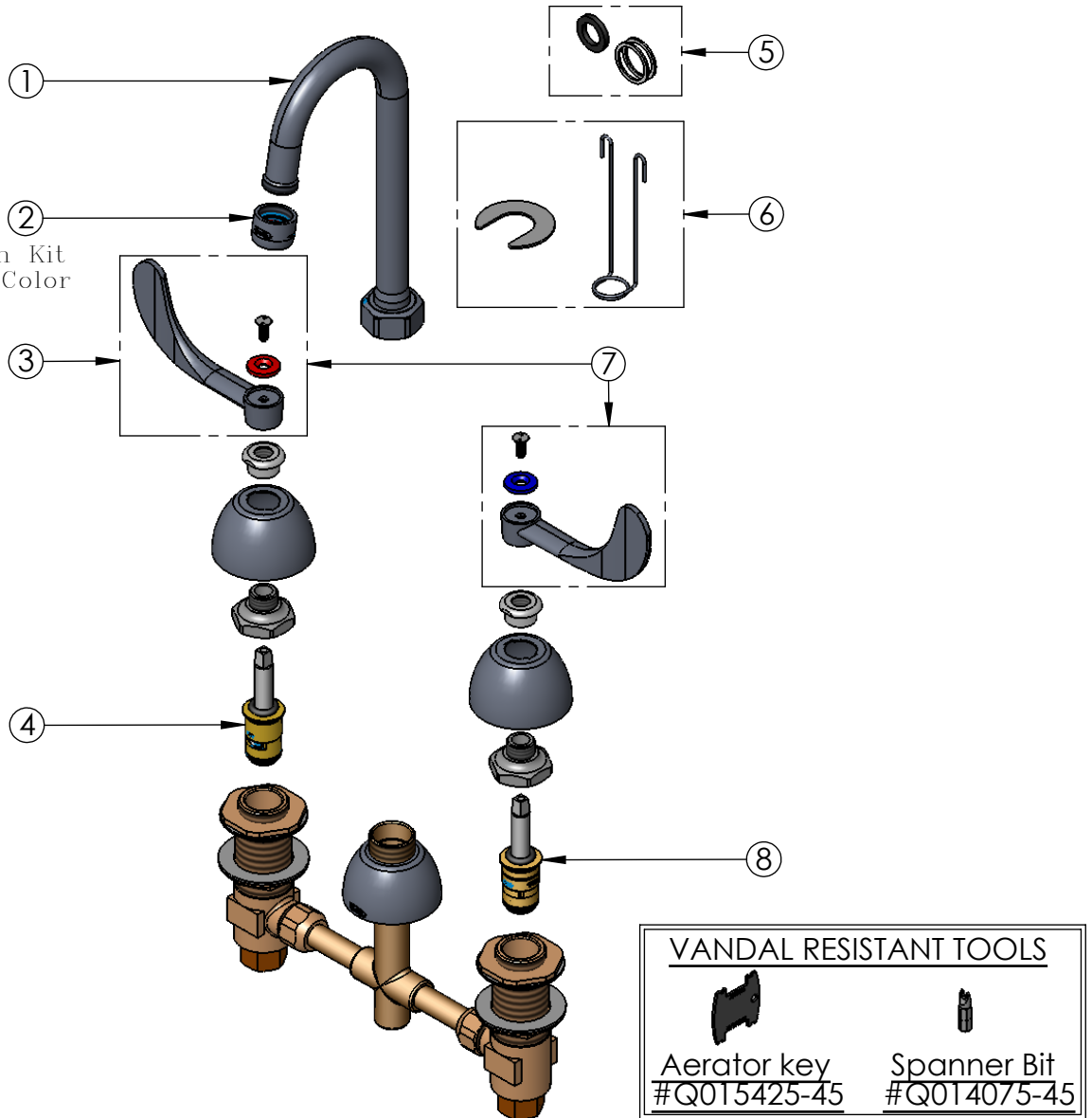
Phone: 800.476.4103 Fax: 800.834.3518, Simi Valley 800.423.0750



REG. #A2601  
ISO #9001

ITEM NO.	SALES NO.	DESCRIPTION
1	Q015379-40	3 1/2" Gooseneck (GN-A)
2	Q016076-45	Aerator, 2.2 GPM VR Female w/ Key
3	Q015975-40-VR	Wrist Action Handle, 1-Pack w/ Vandal Resistant Screw & Spanner Bit
4	Q015385-40	Long Ceramic Cartridge, Hot
5	Q016062-45	GN Swivel/Rigid Kit
6	Q015984-45	Trim Installation Package
7	Q015974-40-VR	Wrist Action Handle, 2-Pack w/ Vandal Resistant Screw & Spanner Bit
8	Q015386-40	Long Ceramic Cartridge, Cold

Note: This Item Kit Includes Both Color Coded Indexes.



Model Number  
Q-858WA-VR5A

Date  
11/14/07

Scale  
1:4

Drawn  
DHL

Checked  
JRM

Approved  
JHB



Product Specifications:  
8" Widespread Mixing Faucet, Ceramic Cartridges, Wrist Action Handles w/ Vandal Resistant Screws, 3 1/2" Gooseneck (GN-A), 2.2 GPM Vandal Resistant Aerator



T&S BRASS AND BRONZE WORKS, INC.  
2 Saddleback Cove, P.O. Box 1088  
Travelers Rest, South Carolina 29690

Phone: 800.476.4103 Fax: 800.834.3518, Simi Valley 800.423.0750



REG. #A2601  
ISO #9001