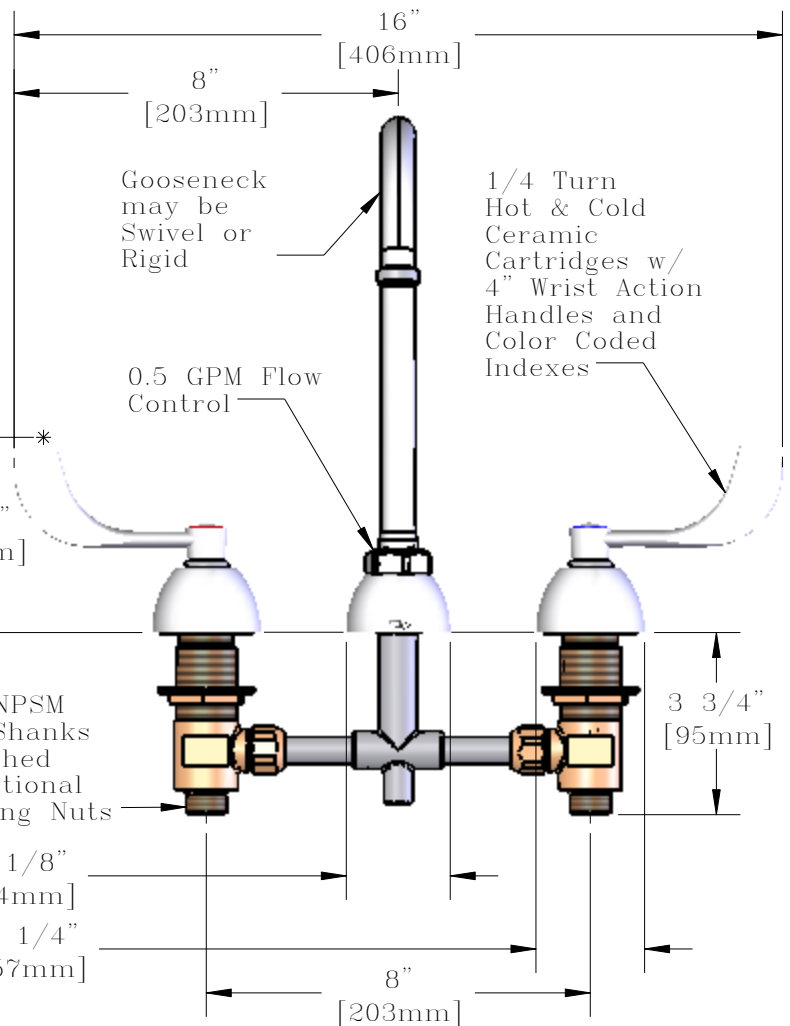
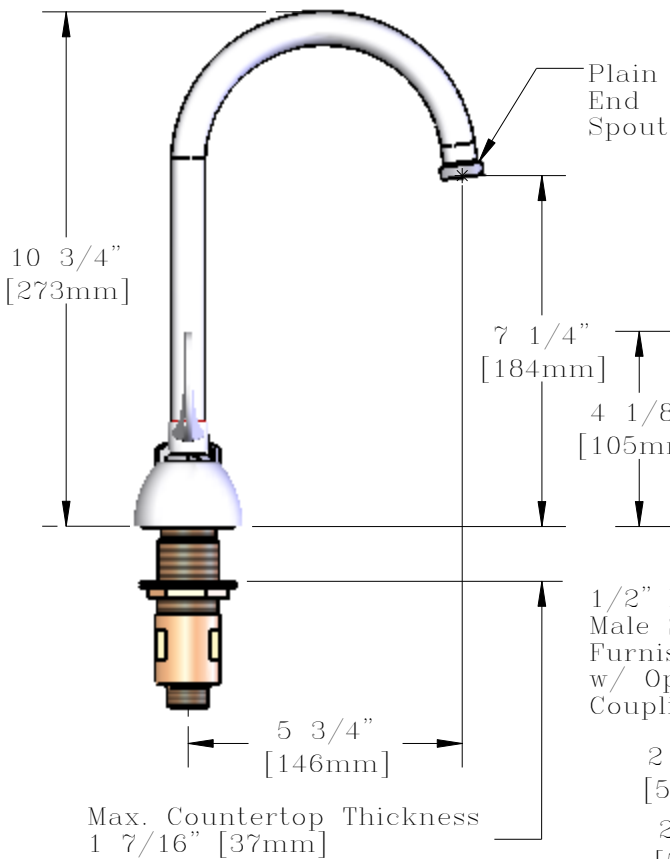
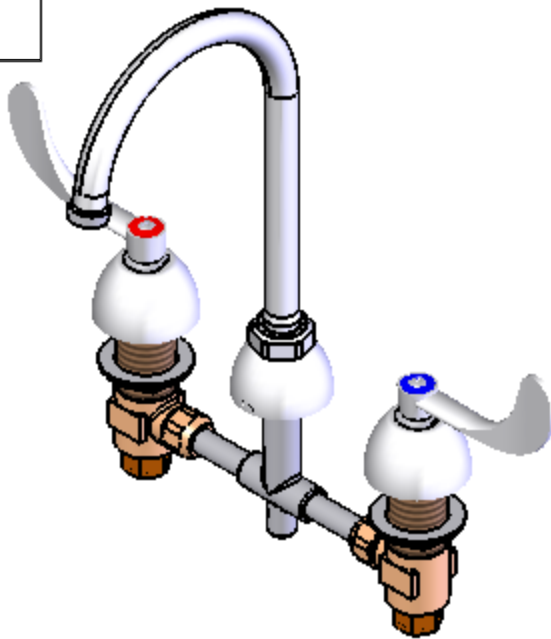




ADA COMPLIANT



This Space for Architect/Engineer Approval

Job Name _____ Date _____

Model Specified _____ Quantity _____

Customer/Wholesaler _____

Contractor _____

Architect/Engineer _____

Model Number Q-858WB-5V	Date 3/17/2006	Scale 1:4	Drawn DHL	Checked JRM	Approved JHB
----------------------------	-------------------	--------------	--------------	----------------	-----------------



Product Specifications:
8" Widespread Mixing Faucet, Ceramic Cartridges, Wrist Action Handles, 5 3/4" Gooseneck (GN-B), 0.5 GPM Flow Control



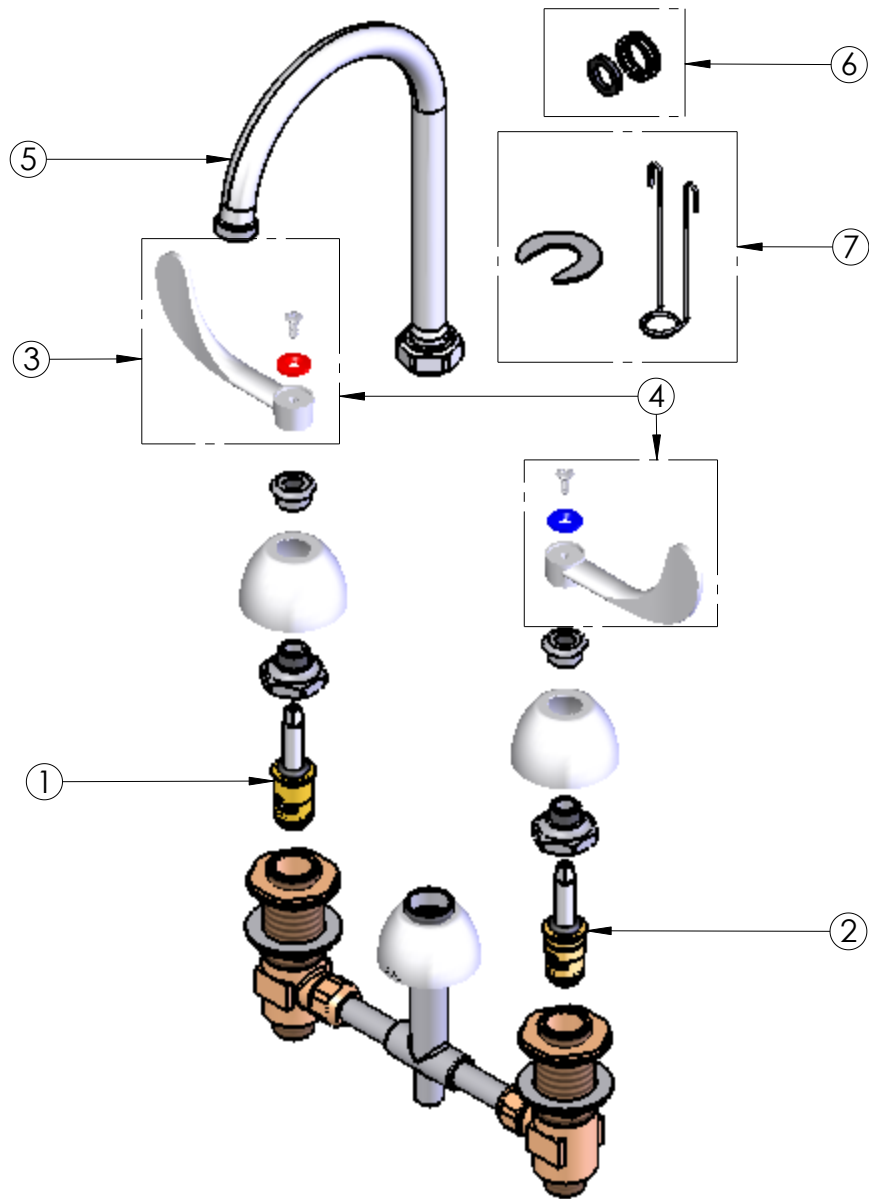
T&S BRASS AND BRONZE WORKS, INC.
 2 Saddleback Cove, P.O. Box 1088
 Travelers Rest, South Carolina 29690
 Phone: 800.476.4103 Fax: 800.834.3518, Simi Valley 800.423.0750



REG. #A2601
 ISO #9001

ITEM NO.	SALES NO.	DESCRIPTION
1	Q015385-40	Long Ceramic Cartridge, Hot
2	Q015386-40	Long Ceramic Cartridge, Cold
3	Q015975-40	Wrist Action Handle, 1-Pack Kit
4	Q015974-40	Wrist Action Handle, 2-Pack Kit
5	Q015897-40	5 3/4" Gooseneck (GN-B) w/ 0.5 GPM Flow Control
6	Q016062-45	GN Swivel/Rigid Kit
7	Q015984-45	Trim Installation Package

Note: This Item Kit Includes Both Color Coded Indexes.



Model Number
Q-858WB-5V

Date
3/17/2006

Scale
1:4

Drawn
DHL

Checked
JRM

Approved
JHB

Qualis
by T&S

Product Specifications:
8" Widespread Mixing Faucet, Ceramic Cartridges,
Wrist Action Handles, 5 3/4" Gooseneck (GN-B),
0.5 GPM Flow Control



T&S BRASS AND BRONZE WORKS, INC.
2 Saddleback Cove, P.O. Box 1088
Travelers Rest, South Carolina 29690

Phone: 800.476.4103 Fax: 800.834.3518, Simi Valley 800.423.0750



REG. #A2601
ISO #9001