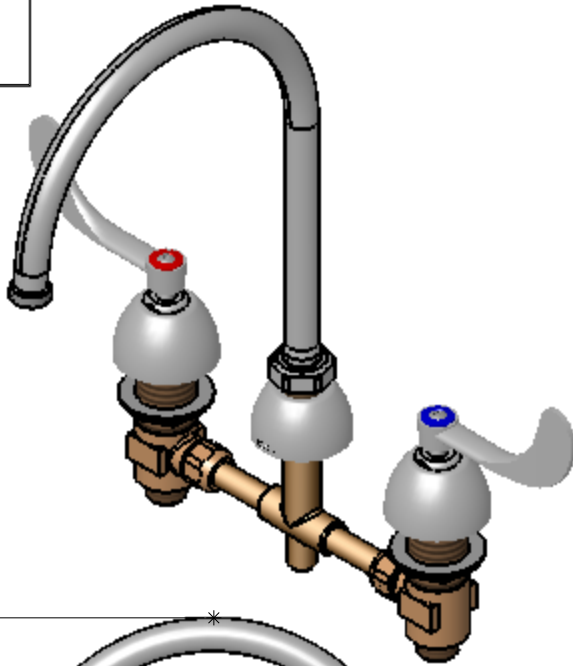




ADA COMPLIANT



This Space for Architect/Engineer Approval

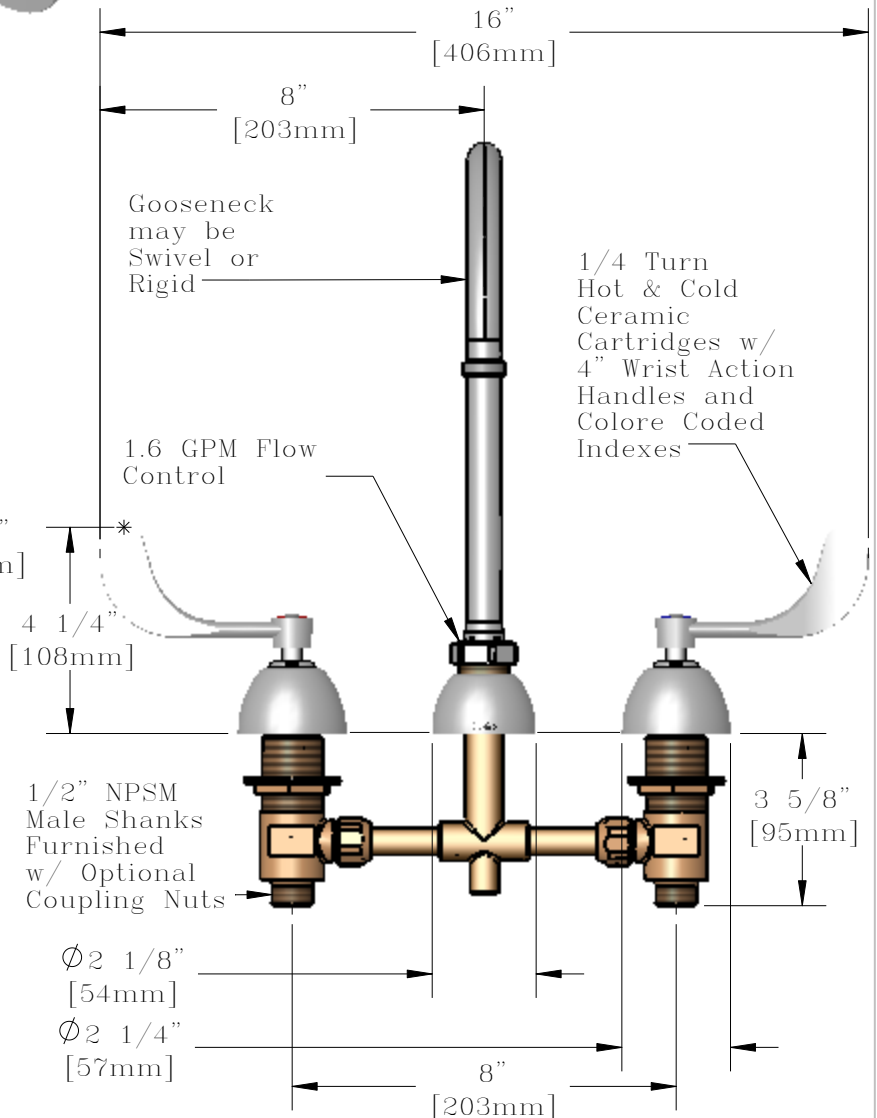
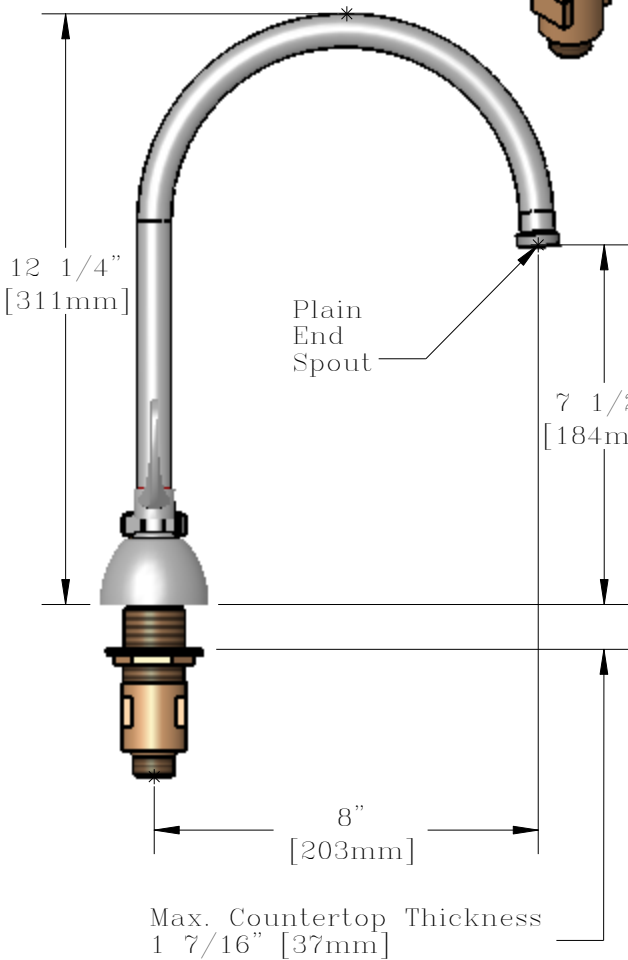
Job Name _____ Date _____

Model Specified _____ Quantity _____

Customer/Wholesaler _____

Contractor _____

Architect/Engineer _____



Model Number
Q-858WC-5X

Date
8/14/06

Scale
1:4

Drawn
DHL

Checked
JRM

Approved
JHB



Product Specifications:

8" Widespread Mixing Faucet, Ceramic Cartridges, Wrist Action Handles, 8" Gooseneck (GN-C), 1.6 GPM Flow Control



T&S BRASS AND BRONZE WORKS, INC.
2 Saddleback Cove, P.O. Box 1088
Travelers Rest, South Carolina 29690

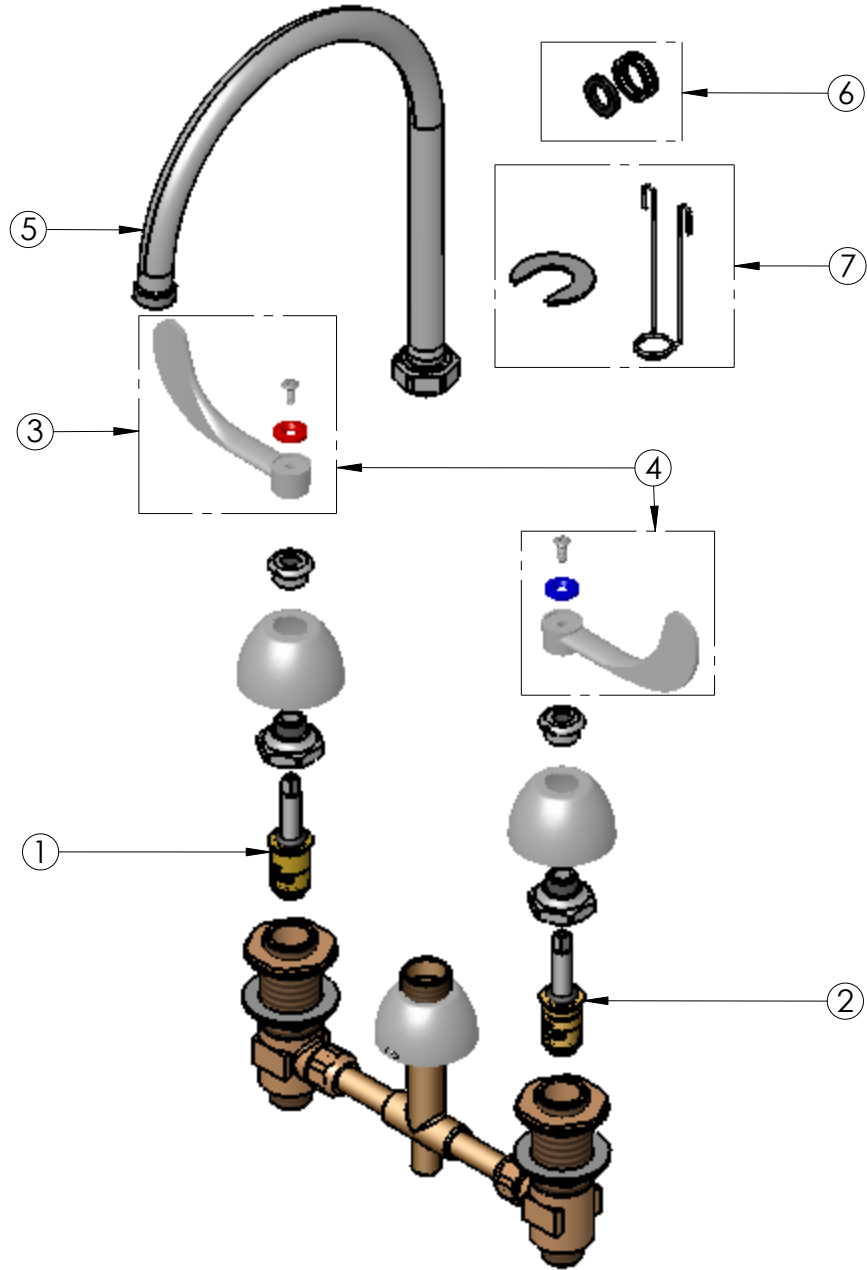
Phone: 800.476.4103 Fax: 800.834.3518, Simi Valley 800.423.0750



REG. #A2601
ISO #9001

ITEM NO.	SALES NO.	DESCRIPTION
1	Q015385-40	Long Ceramic Cartridge, Hot
2	Q015386-40	Long Ceramic Cartridge, Cold
3	Q015975-40	Wrist Action Handle, 1-Pack Kit
4	Q015974-40	Wrist Action Handle, 2-Pack Kit
5	Q016235-40	8" Gooseneck (GN-C) w/ 1.6 GPM Flow Control & Spout Ring
6	Q016062-45	GN Swivel/Rigid Kit
7	Q015984-45	Trim Installation Package

Note: This Item Kit Includes Both Color Coded Indexes.



Model Number Q-858WC-5X	Date 8/14/06	Scale 1:4	Drawn DHL	Checked JRM	Approved JHB
----------------------------	-----------------	--------------	--------------	----------------	-----------------



Product Specifications:
8" Widespread Mixing Faucet, Ceramic Cartridges,
Wrist Action Handles, 8" Gooseneck (GN-C),
1.6 GPM Flow Control



T&S BRASS AND BRONZE WORKS, INC.
2 Saddleback Cove, P.O. Box 1088
Travelers Rest, South Carolina 29690
Phone: 800.476.4103 Fax: 800.834.3518, Simi Valley 800.423.0750



REG. #A2601
ISO #9001