



ADA COMPLIANT

This Space for Architect/Engineer Approval

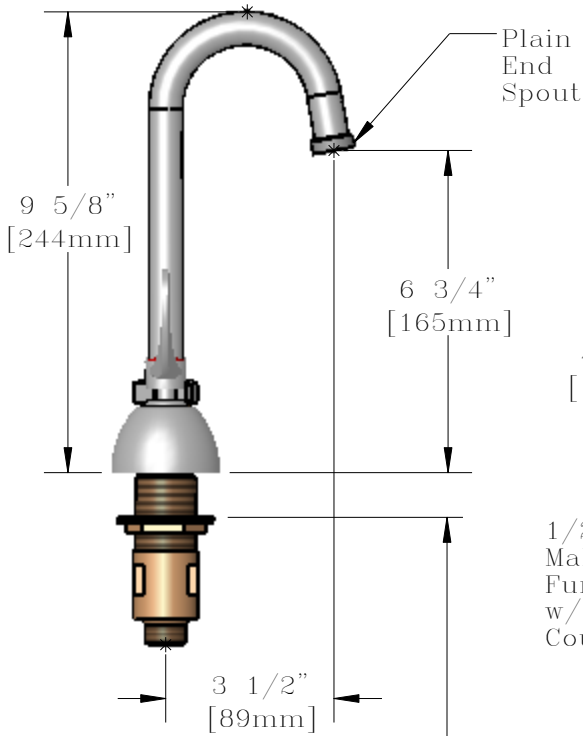
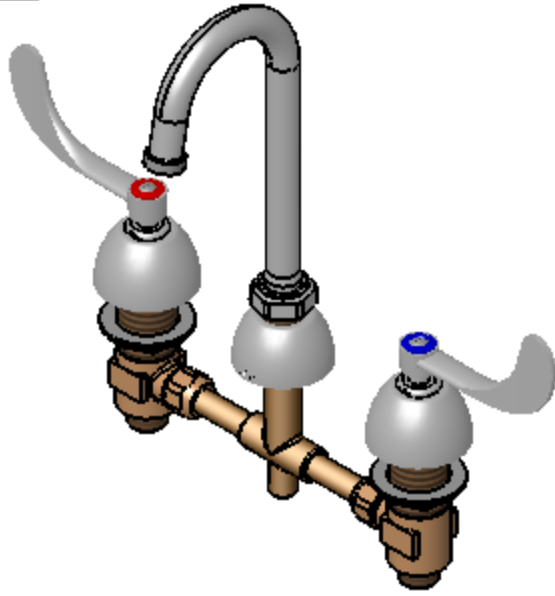
Job Name _____ Date _____

Model Specified _____ Quantity _____

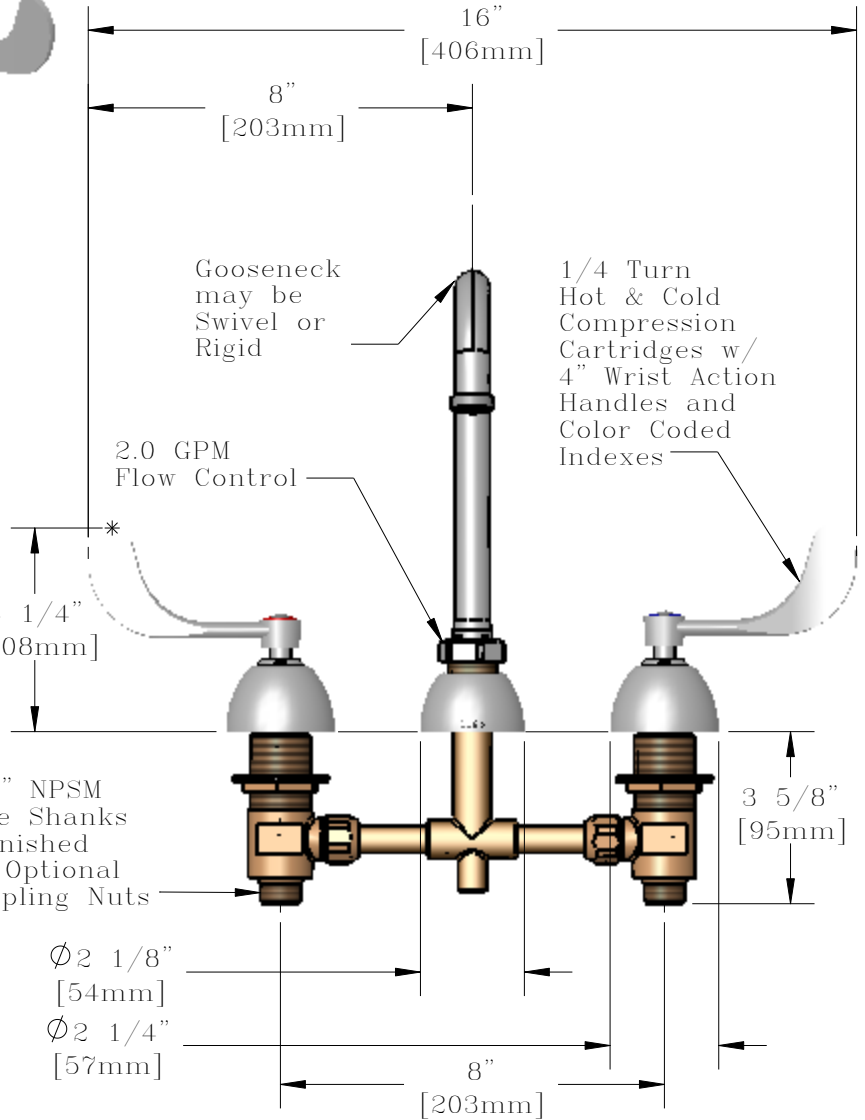
Customer/Wholesaler _____

Contractor _____

Architect/Engineer _____



Max. Countertop Thickness
1 7/16" [37mm]



Model Number
Q-859WA-5Y

Date
8/14/06

Scale
1:4

Drawn
DHL

Checked
JRM

Approved
JHB



Product Specifications:
8" Widespread Mixing Faucet, Compression Cartridges,
Wrist Action Handles, 3 1/2" Gooseneck (GN-A),
2.0 GPM Flow Control



T&S BRASS AND BRONZE WORKS, INC.
2 Saddleback Cove, P.O. Box 1088
Travelers Rest, South Carolina 29690

Phone: 800.476.4103 Fax: 800.834.3518, Simi Valley 800.423.0750

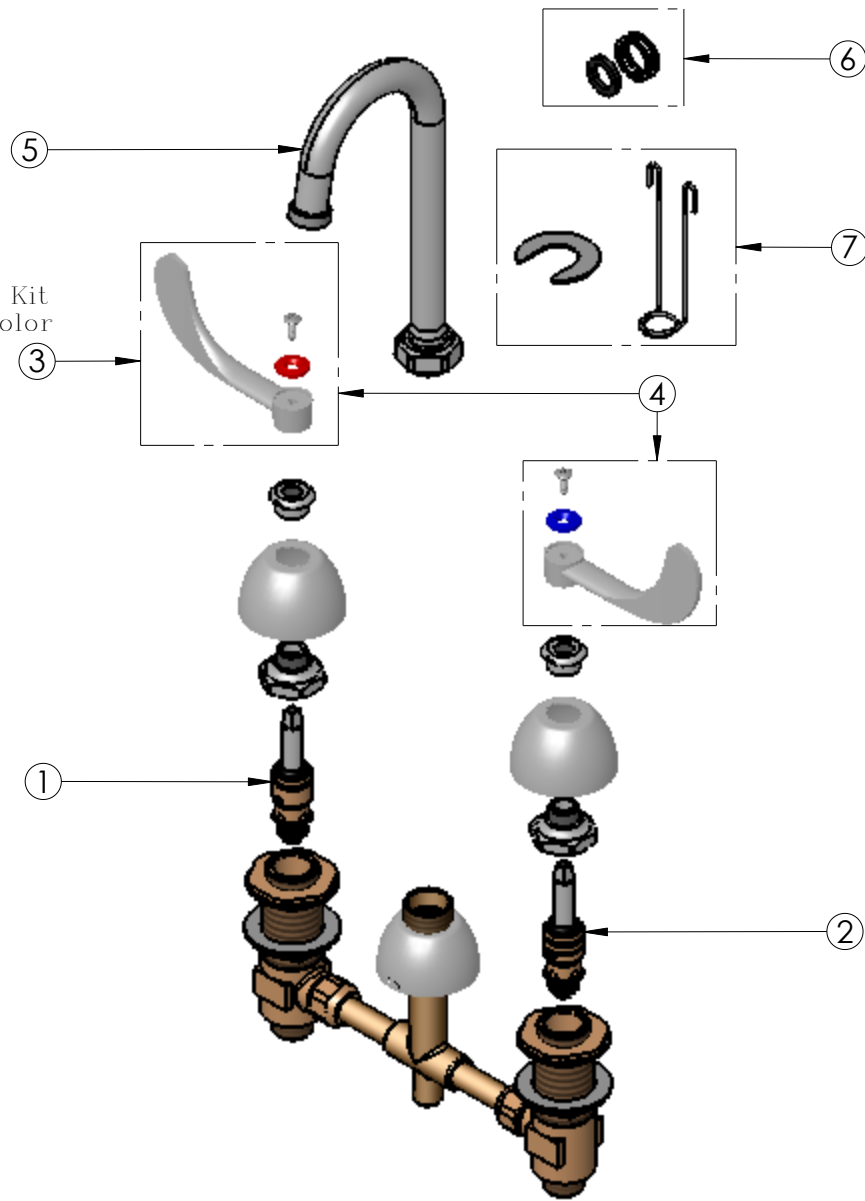


REG. #A2601
ISO #9001

SHEET: 1 of 2

| ITEM NO. | SALES NO. | DESCRIPTION |
|----------|------------|--|
| 1 | Q015389-40 | Long Compression Cartridge, Hot |
| 2 | Q015390-40 | Long Compression Cartridge, Cold |
| 3 | Q015975-40 | Wrist Action Handle, 1-Pack Kit |
| 4 | Q015974-40 | Wrist Action Handle, 2-Pack Kit |
| 5 | Q016236-40 | 3 1/2" Gooseneck (GN-A) w/ 2.0 GPM Flow Control & Spout Ring |
| 6 | Q016062-45 | GN Swivel/Rigid Kit |
| 7 | Q015984-45 | Trim Installation Package |

Note: This Item Kit Includes Both Color Coded Indexes.



Model Number
Q-859WA-5Y

Date
8/14/06

Scale
1:4

Drawn
DHL

Checked
JRM

Approved
JHB



Product Specifications:
8" Widespread Mixing Faucet, Compression Cartridges,
Wrist Action Handles, 3 1/2" Gooseneck (GN-A),
2.0 GPM Flow Control



T&S BRASS AND BRONZE WORKS, INC.
2 Saddleback Cove, P.O. Box 1088
Travelers Rest, South Carolina 29690
Phone: 800.476.4103 Fax: 800.834.3518, Simi Valley 800.423.0750



REG. #A2601
ISO #9001