



ADA COMPLIANT

This Space for Architect/Engineer Approval

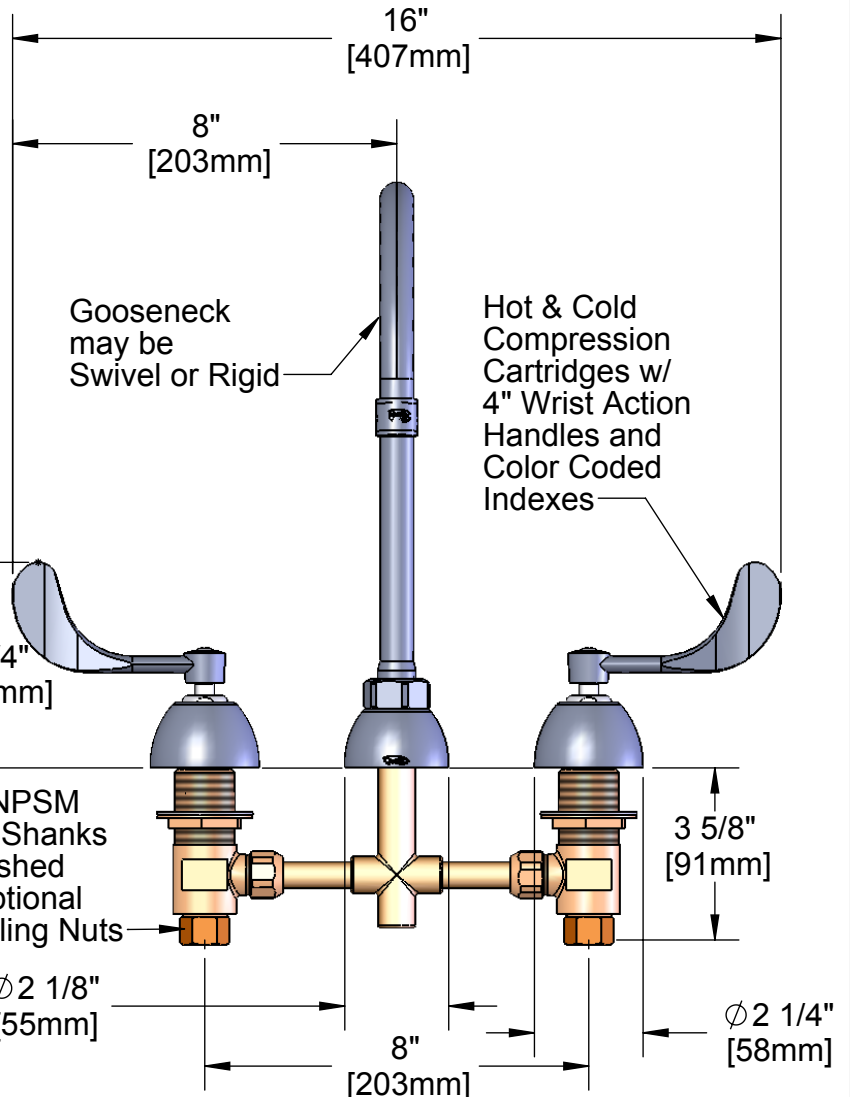
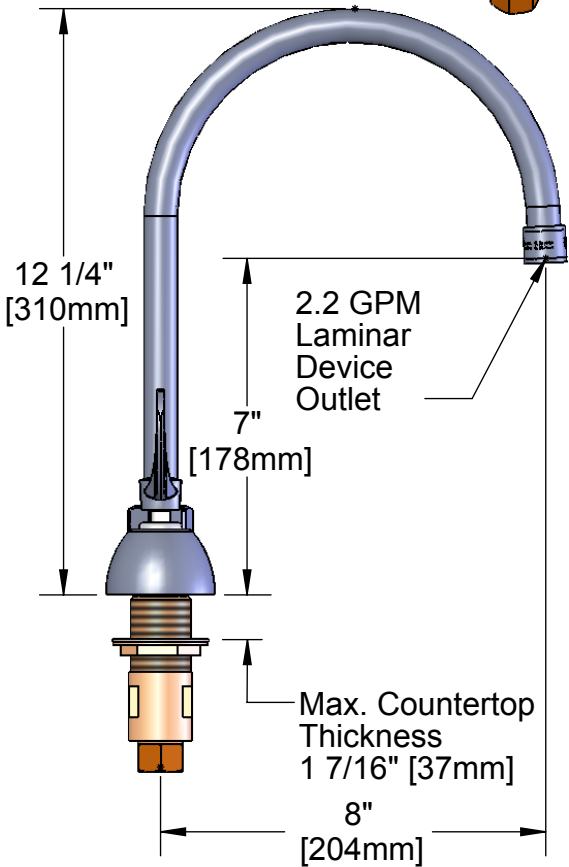
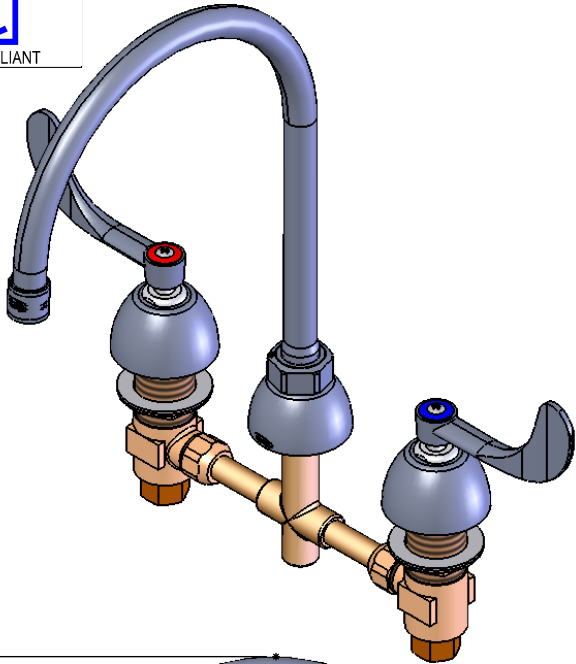
Job Name _____ Date _____

Model Specified _____ Quantity _____

Customer/Wholesaler _____

Contractor _____

Architect/Engineer _____



Model Number Q-859WC-5D	Date 7/31/07	Scale 1:4	Drawn DHL	Checked JRM	Approved JHB
----------------------------	-----------------	--------------	--------------	----------------	-----------------

Product Specifications:
8" Widespread Mixing Faucet, Compression Cartridges, Wrist Action Handles, 8" Gooseneck (GN-C), 2.2 GPM Laminar Device Outlet

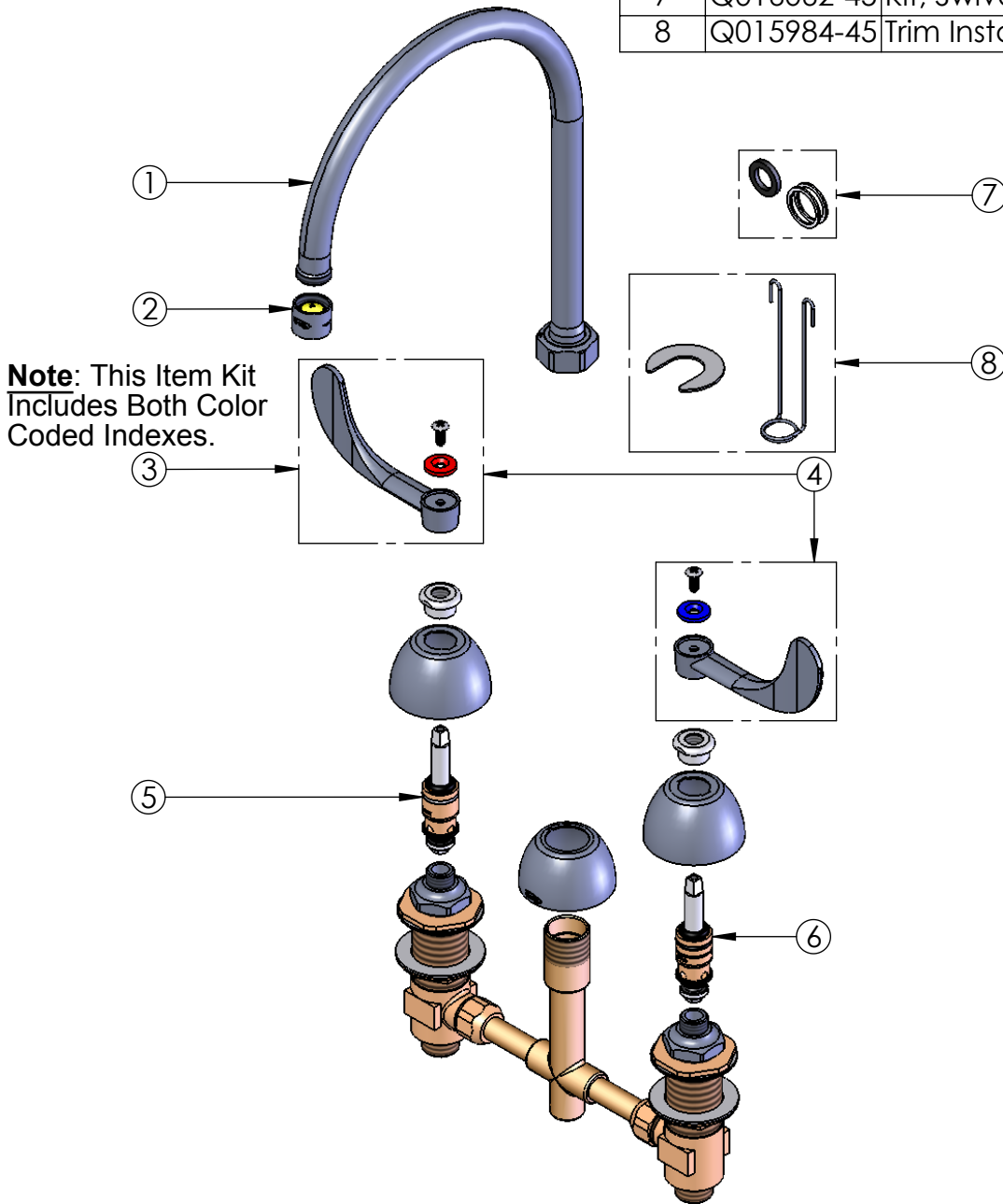


T&S BRASS AND BRONZE WORKS, INC.
 2 Saddleback Cove, P.O. Box 1088
 Travelers Rest, South Carolina 29690
 Phone: 800.476.4103 Fax: 800.834.3518, Simi Valley 800.423.0750



REG. #A2601
 ISO #9001

ITEM NO.	SALES NO.	DESCRIPTION
1	Q015377-40	8" Gooseneck (GN-C)
2	Q016075-45	Laminar Device, 2.2 GPM
3	Q015975-40	Wrist Action Handle, 1-Pack
4	Q015974-40	Wrist Action Handle, 2-Pack
5	Q015389-40	Long Compression Cartridge, Hot
6	Q015390-40	Long Compression Cartridge, Cold
7	Q016062-45	Kit, Swivel/Rigid Gooseneck Repair
8	Q015984-45	Trim Installation Package



Model Number Q-859WC-5D	Date 7/31/07	Scale 1:4	Drawn DHL	Checked JRM	Approved JHB
----------------------------	-----------------	--------------	--------------	----------------	-----------------



Product Specifications:
**8" Widespread Mixing Faucet, Compression Cartridges,
Wrist Action Handles, 8" Gooseneck (GN-C),
2.2 GPM Laminar Device Outlet**



T&S BRASS AND BRONZE WORKS, INC.
2 Saddleback Cove, P.O. Box 1088
Travelers Rest, South Carolina 29690
Phone: 800.476.4103 Fax: 800.834.3518, Simi Valley 800.423.0750



REG. #A2601
ISO #9001