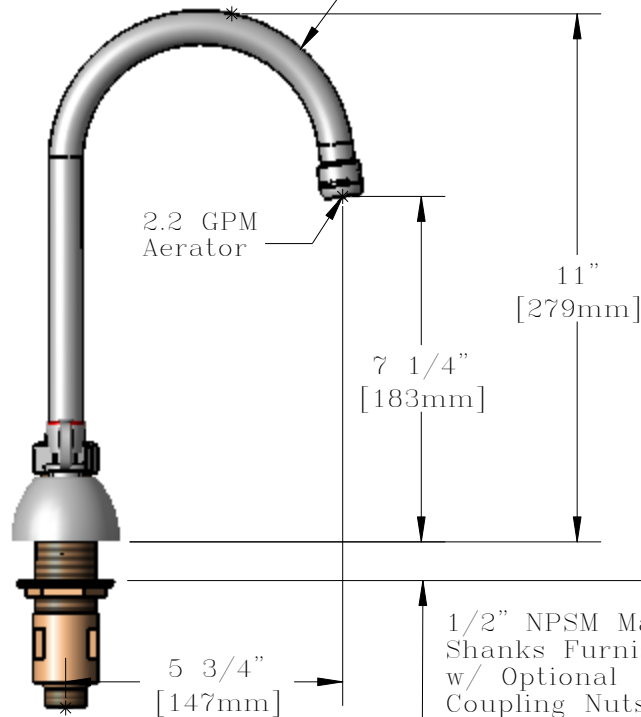
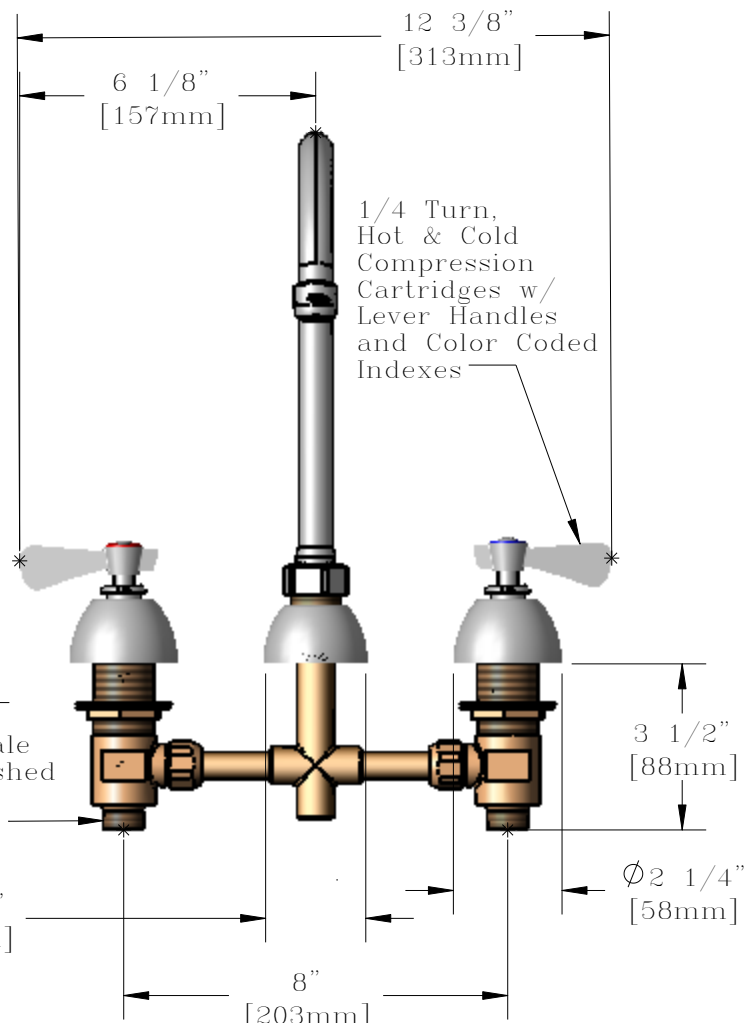


Gooseneck may be Swivel or Rigid



Max. Countertop Thickness 1 7/16" [37mm]



*This Space for Architect/Engineer Approval*

Job Name \_\_\_\_\_ Date \_\_\_\_\_

Model Specified \_\_\_\_\_ Quantity \_\_\_\_\_

Customer/Wholesaler \_\_\_\_\_

Contractor \_\_\_\_\_

Architect/Engineer \_\_\_\_\_

Available Options

| Model Suffix #                 | Description               |
|--------------------------------|---------------------------|
| <input type="checkbox"/> -5A   | 2.2 GPM VR Aerator        |
| <input type="checkbox"/> -5B   | 0.5 GPM Aerator           |
| <input type="checkbox"/> -5C   | 0.5 GPM VR Aerator        |
| <input type="checkbox"/> -5D   | 2.2 GPM Laminar Flow      |
| <input type="checkbox"/> -VR5C | Complete VR Pkg (0.5 GPM) |
| <input type="checkbox"/> -VR5A | Complete VR Pkg (2.2 GPM) |

|                                |                           |                     |                     |                       |                        |
|--------------------------------|---------------------------|---------------------|---------------------|-----------------------|------------------------|
| Model Number<br><b>Q-859YB</b> | Date<br><b>10/23/2006</b> | Scale<br><b>1:4</b> | Drawn<br><b>DHL</b> | Checked<br><b>JRM</b> | Approved<br><b>JHB</b> |
|--------------------------------|---------------------------|---------------------|---------------------|-----------------------|------------------------|



Product Specifications:  
**8" Widespread Mixing Faucet, Compression Cartridges, Lever Handles, 5 3/4" Gooseneck (GN-B), 2.2 GPM Aerator**



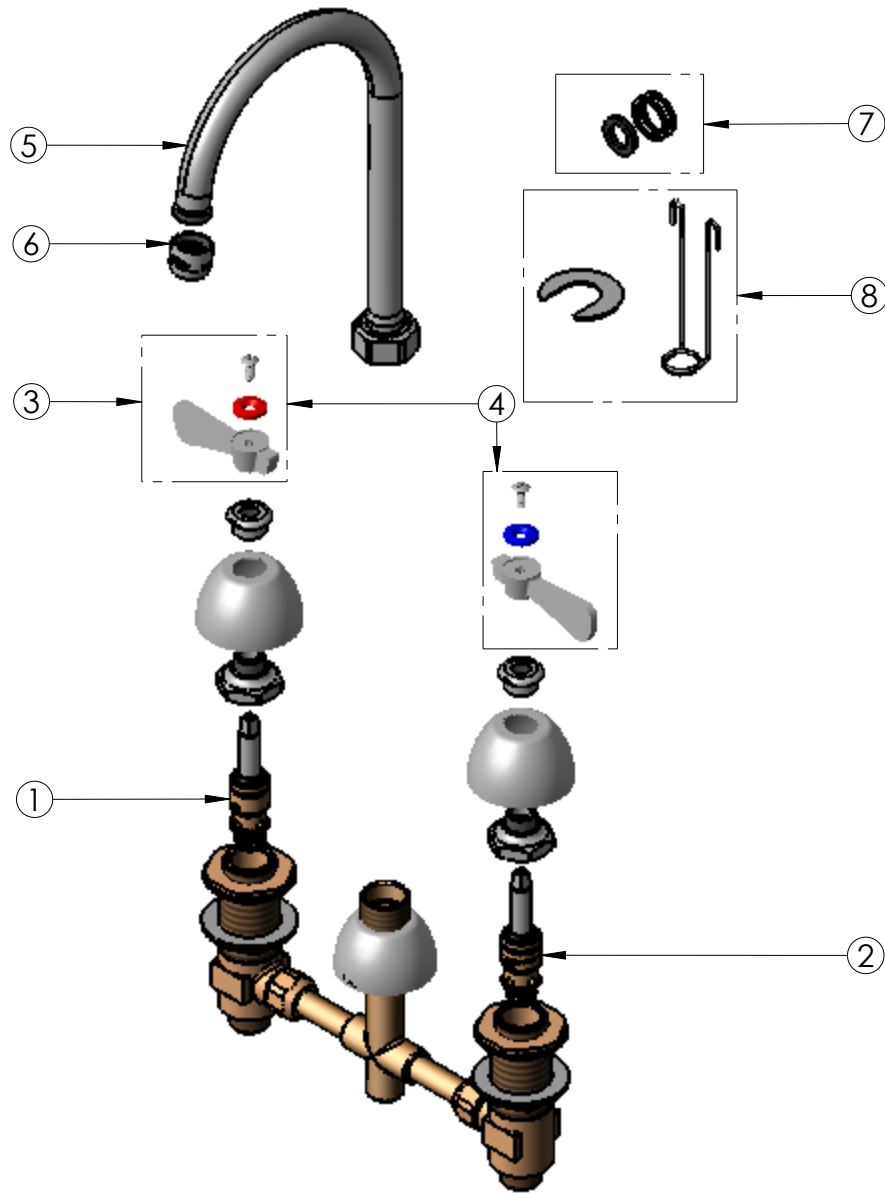
T&S BRASS AND BRONZE WORKS, INC.  
 2 Saddleback Cove, P.O. Box 1088  
 Travelers Rest, South Carolina 29690

Phone: 800.476.4103 Fax: 800.834.3518, Simi Valley 800.423.0750



REG. #A2601  
 ISO #9001

| ITEM NO. | SALES NO.  | DESCRIPTION                      |
|----------|------------|----------------------------------|
| 1        | Q015389-40 | Long Compression Cartridge, Hot  |
| 2        | Q015390-40 | Long Compression Cartridge, Cold |
| 3        | Q015973-40 | Lever Handle, 1-Pack Kit         |
| 4        | Q015972-40 | Lever Handle, 2-Pack Kit         |
| 5        | Q015378-40 | 5 3/4" Gooseneck (GN-B)          |
| 6        | Q014986-45 | Aerator, Female, 2.2 GPM         |
| 7        | Q016062-45 | GN Swivel/Rigid Kit              |
| 8        | Q015984-45 | Trim Installation Package        |



Note: This Item Kit Includes Both Color Coded Indexes.

|                         |                    |              |              |                |                 |
|-------------------------|--------------------|--------------|--------------|----------------|-----------------|
| Model Number<br>Q-859YB | Date<br>10/23/2006 | Scale<br>1:4 | Drawn<br>DHL | Checked<br>JRM | Approved<br>JHB |
|-------------------------|--------------------|--------------|--------------|----------------|-----------------|



Product Specifications:  
8" Widespread Mixing Faucet, Compression Cartridges,  
Lever Handles, 5 3/4" Gooseneck (GN-B),  
2.2 GPM Aerator



T&S BRASS AND BRONZE WORKS, INC.  
2 Saddleback Cove, P.O. Box 1088  
Travelers Rest, South Carolina 29690

Phone: 800.476.4103 Fax: 800.834.3518, Simi Valley 800.423.0750



REG. #A2601  
ISO #9001