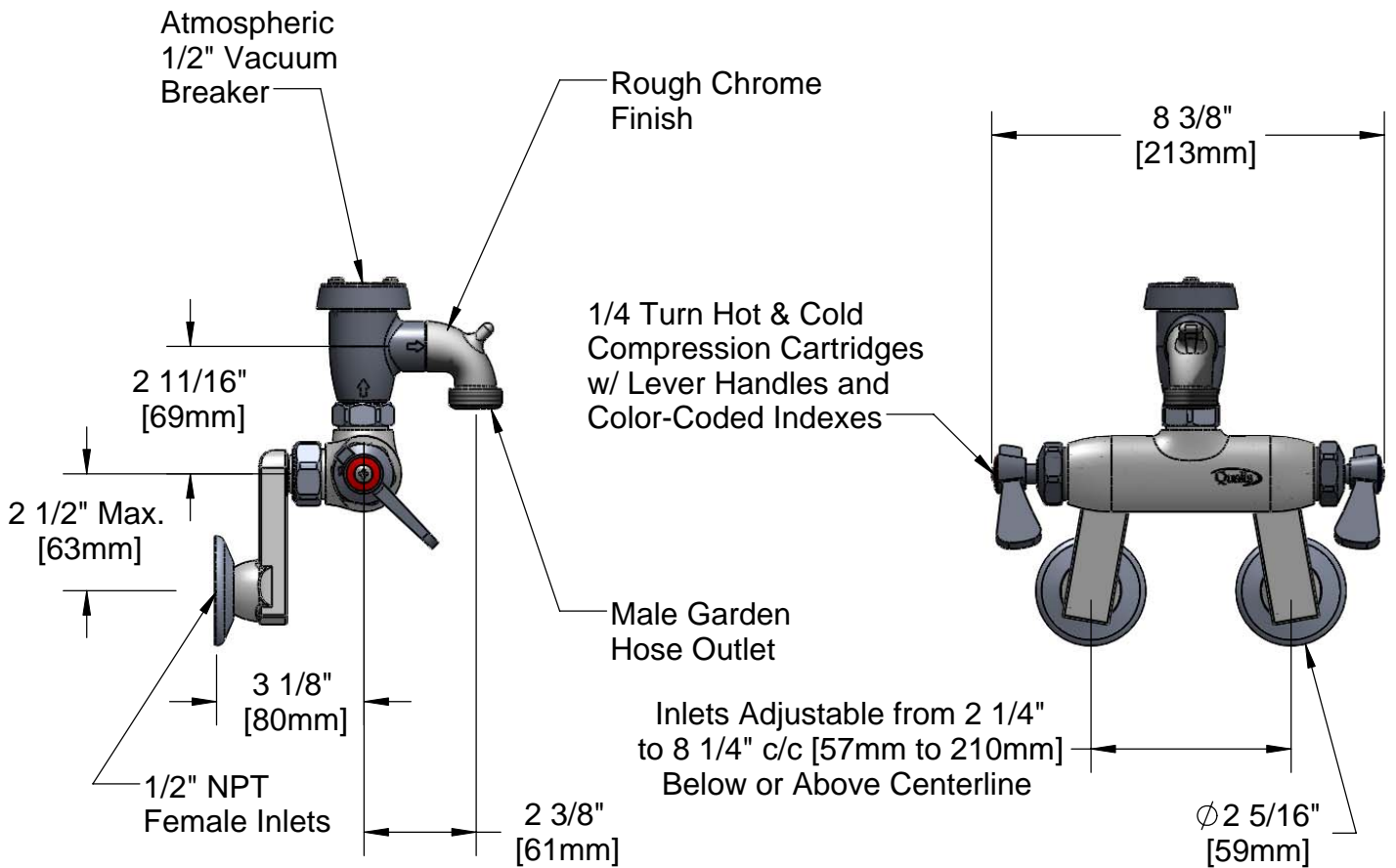
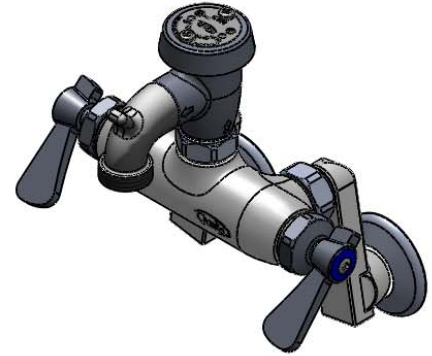




This Space for Architect/Engineer Approval

Job Name _____ Date _____
 Model Specified _____ Quantity _____
 Customer/Wholesaler _____
 Contractor _____
 Architect/Engineer _____



Model Number Q-919YV-R1G	Date 02/17/09	Scale 1:4	Drawn JRM	Checked GEF	Approved JHB
-----------------------------	------------------	--------------	--------------	----------------	-----------------

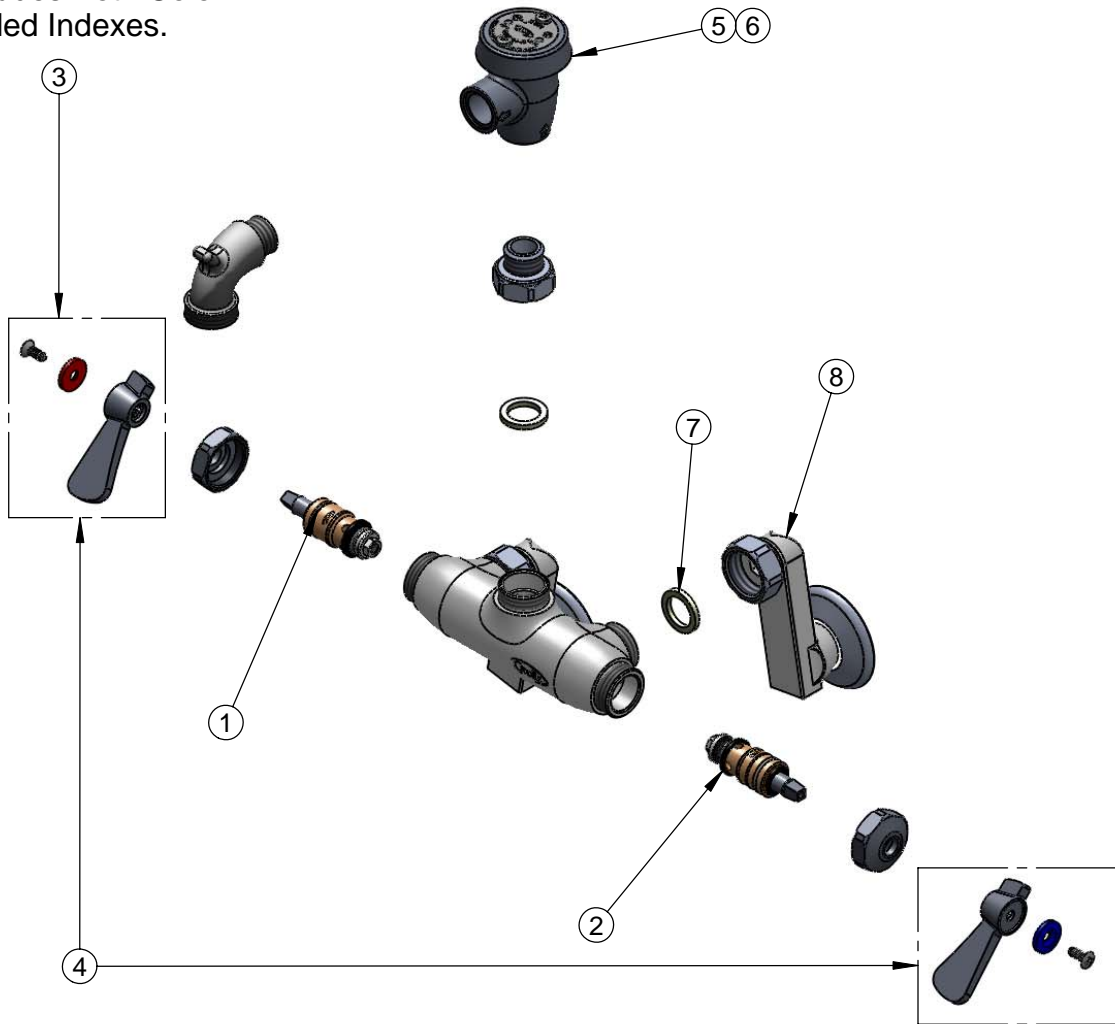
Product Specifications:
Rough Chrome Wall Mount Faucet w/ Adjustable Centers, Compression Cartridge, Lever Handles, Vacuum Breaker and Offset Arm

T&S BRASS AND BRONZE WORKS, INC.
 2 Saddleback Cove, P.O. Box 1088
 Travelers Rest, South Carolina 29690
 Phone: 800.476.4103 Fax: 800.834.3518, Simi Valley 800.423.0750

REG. #A2601
 ISO #9001

ITEM NO.	SALES NO.	DESCRIPTION
1	Q015387-40	Standard Compression Cartridge, Hot
2	Q015388-40	Standard Compression Cartridge, Cold
3	Q015973-40	Lever Handle, 1-Pack Kit
4	Q015972-40	Lever Handle, 2-Pack Kit
5	Q015484-45	1/2" Vacuum Breaker- Qualis
6	Q012600-45	Repair Kit for 1/2" Vacuum Breaker
7	Q015189-45	Rubber Washer
8	Q015478-25	2-1/2" Offset

Note: This Item Kit Includes Both Color Coded Indexes.



Model Number Q-919YV-R1G	Date 02/17/09	Scale 1:4	Drawn JRM	Checked GEF	Approved JHB
-----------------------------	------------------	--------------	--------------	----------------	-----------------



Product Specifications:
 Rough Chrome Wall Mount Faucet w/ Adjustable Centers, Compression Cartridge, Lever Handles, Vacuum Breaker and Offset Arm



T&S BRASS AND BRONZE WORKS, INC.
 2 Saddleback Cove, P.O. Box 1088
 Travelers Rest, South Carolina 29690
 Phone: 800.476.4103 Fax: 800.834.3518, Simi Valley 800.423.0750



REG. #A2601
 ISO #9001