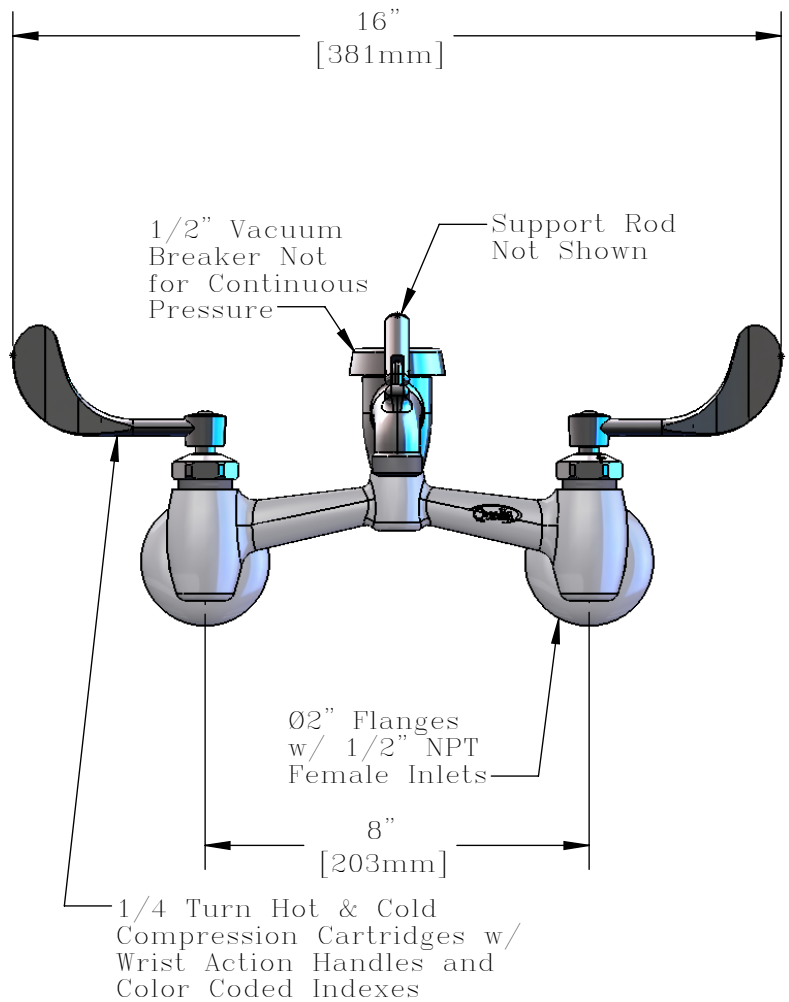
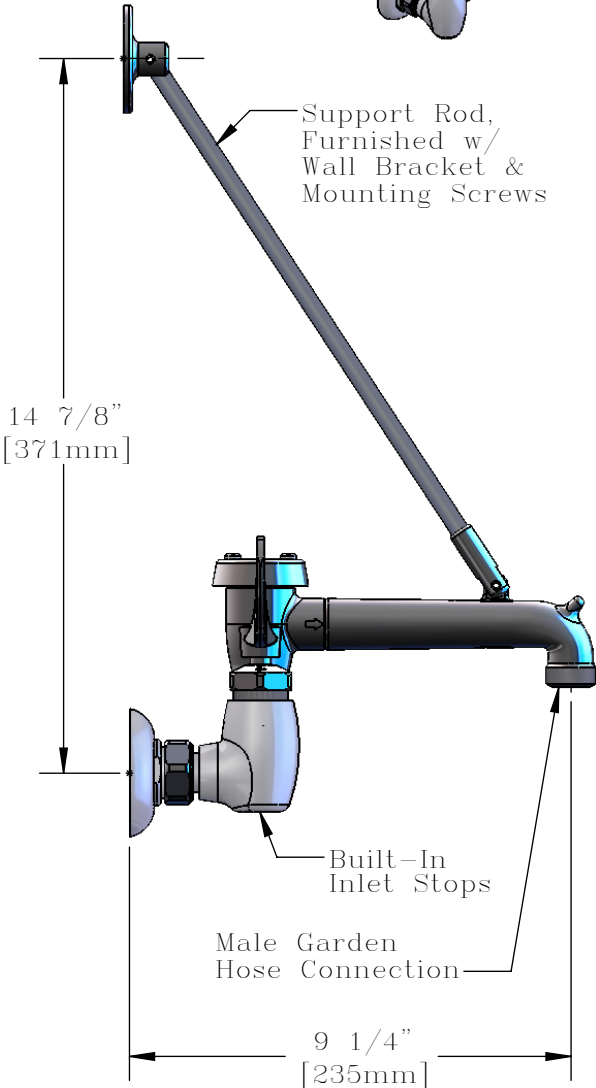
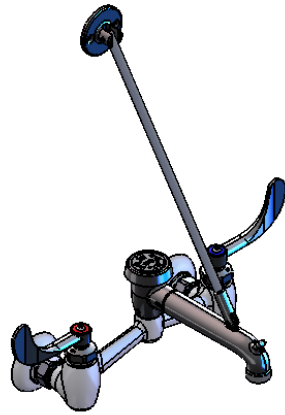




ADA COMPLIANT



This Space for Architect/Engineer Approval

Job Name _____ Date _____

Model Specified _____ Quantity _____

Customer/Wholesaler _____

Contractor _____

Architect/Engineer _____

Model Number
Q-939WT-P

Date
3/28/2008

Scale
1:4

Drawn
DHL

Checked
JRM

Approved
JHB

Product Specifications:

Service Sink, Inlet Stops, Compression Cartridges, Wrist Action Handles, Polished Chrome



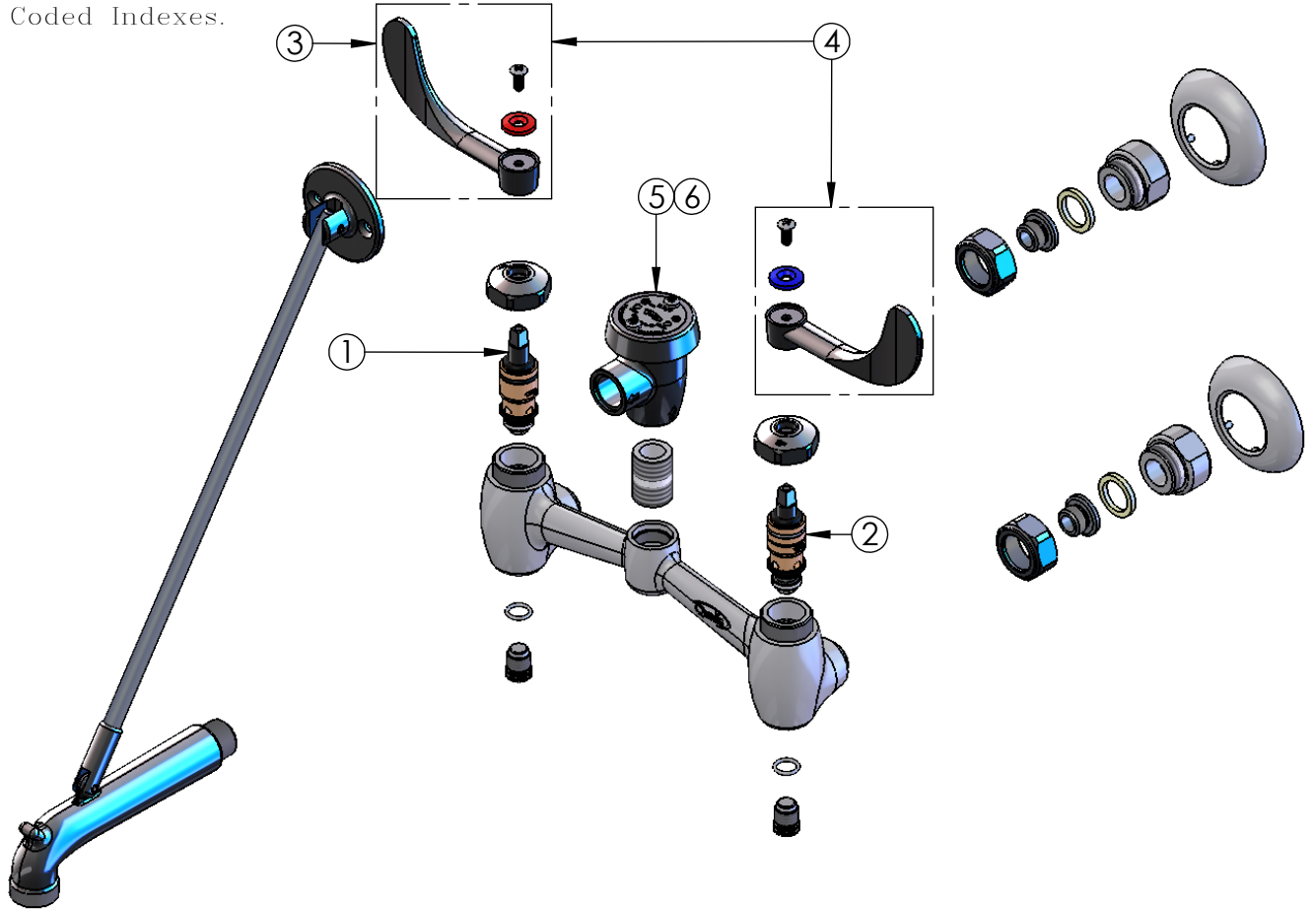
T&S BRASS AND BRONZE WORKS, INC.
2 Saddleback Cove, P.O. Box 1088
Travelers Rest, South Carolina 29690
Phone: 800.476.4103 Fax: 800.834.3518, Simi Valley 800.423.0750



REG. #A2601
ISO #9001

ITEM	SALES NO.	DESCRIPTION
1	Q015387-40	Standard Compression Cartridge, Hot
2	Q015388-40	Standard Compression Cartridge, Cold
3	Q015975-40	Wrist Action Handle, 1-Pack Kit
4	Q015974-40	Wrist Action Handle, 2-Pack Kit
5	Q015484-45	1/2" Vacuum Breaker- Qualis
6	Q012600-45	Repair Kit for 1/2" Vacuum Breaker

Note: This Item Kit Includes Both Color Coded Indexes.



Model Number
Q-939WT-P

Date
3/28/2008

Scale
1:4

Drawn
DHL

Checked
JRM

Approved
JHB



Product Specifications:

Service Sink, Inlet Stops, Compression Cartridges,
Wrist Action Handles, Polished Chrome



T&S BRASS AND BRONZE WORKS, INC.
2 Saddleback Cove, P.O. Box 1088
Travelers Rest, South Carolina 29690

Phone: 800.476.4103 Fax: 800.834.3518, Simi Valley 800.423.0750



REG. #A2601
ISO #9001