



T&S BRASS AND BRONZE WORKS, INC.
 2 SADDLEBACK COVE / P.O. BOX 1088 / TRAVELERS REST, SC 29690
 PHONE 800-476-4103 FAX 864- 834-3518



Model No.

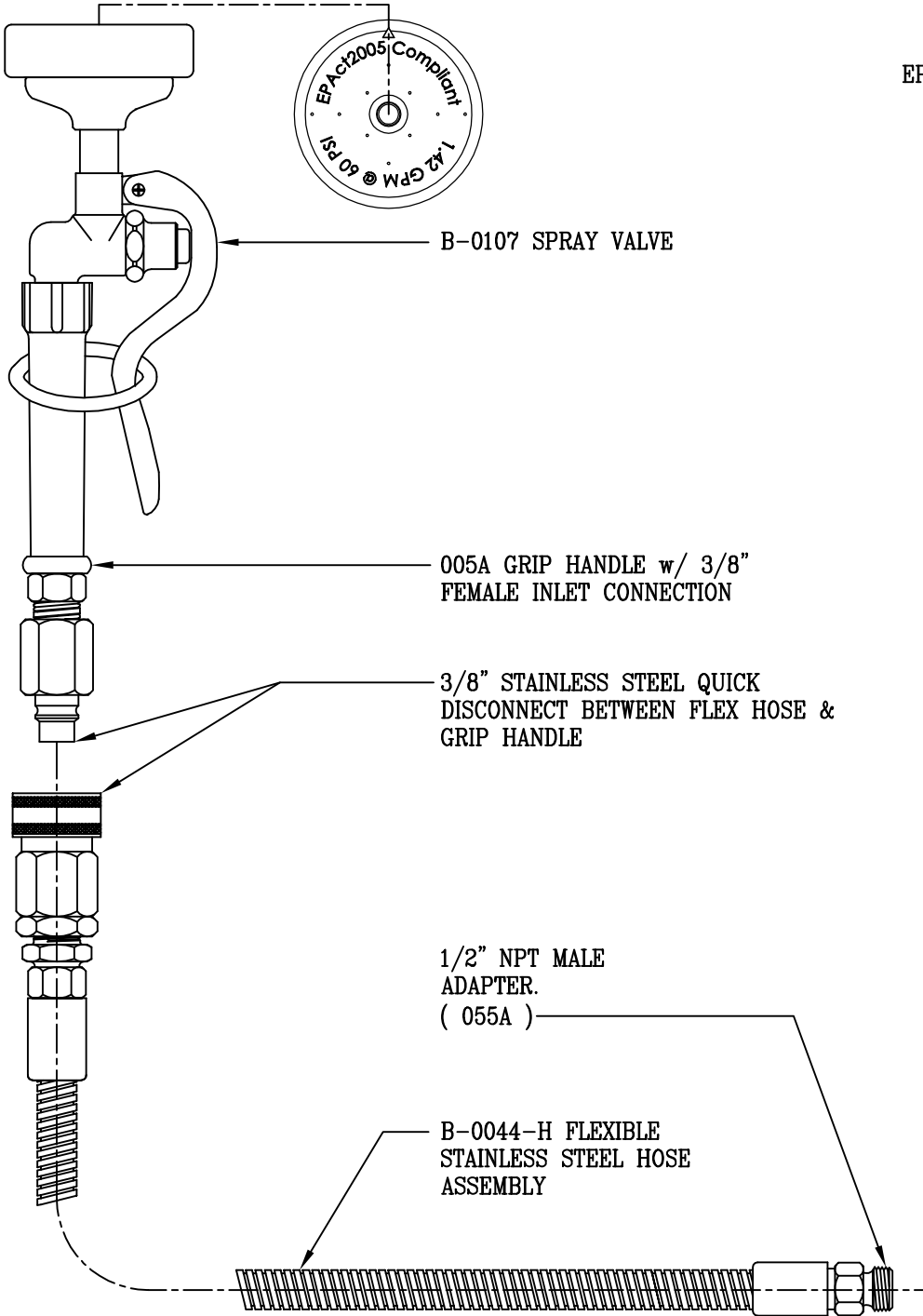
B-0100-QD

Item No.:

Job Name:

Architect/Engineer Approval:

Notes:



EPA Act 2005 COMPLIANT

B-0107 SPRAY VALVE

005A GRIP HANDLE w/ 3/8" FEMALE INLET CONNECTION

3/8" STAINLESS STEEL QUICK DISCONNECT BETWEEN FLEX HOSE & GRIP HANDLE

1/2" NPT MALE ADAPTER. (055A)

B-0044-H FLEXIBLE STAINLESS STEEL HOSE ASSEMBLY

Product Description:

B-0044-H FLEXIBLE STAINLESS STEEL HOSE w/ QUICK DISCONNECT BETWEEN HOSE & GRIP HANDLE

Drawn:

RJK

Checked

JRM

Scale:

1:4

Approved

JHB

Date:

01/04/06