



T&S BRASS AND BRONZE WORKS, INC.
 2 SADDLEBACK COVE / P.O. BOX 1088 / TRAVELERS REST, SC 29690
 PHONE 800-476-4103 FAX 864- 834-3518



Model No.

B-0102-B

Item No.:

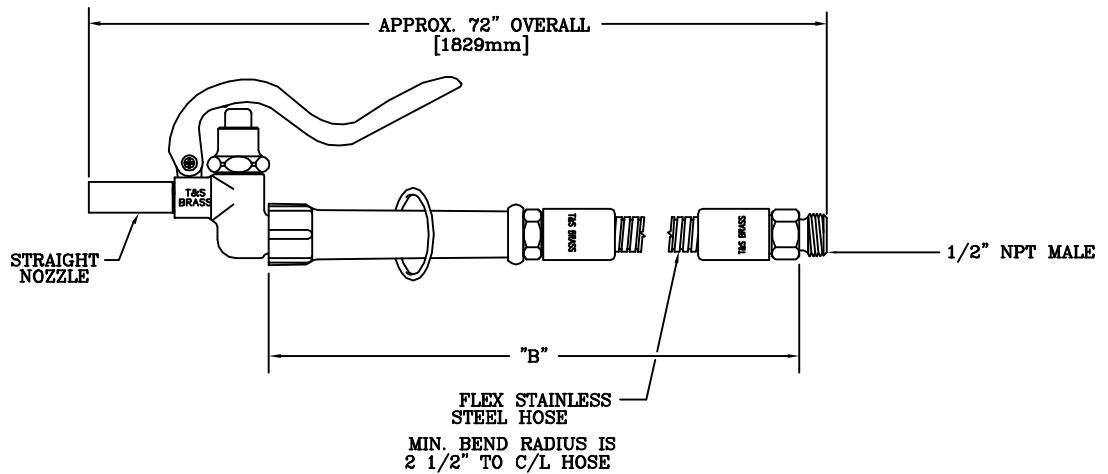
REG.#A2601
ISO #9002

Job Name:

Architect/Engineer Approval:

Notes:

SEE SPEC. DWG. NO. B-0104
FOR MOUNTING ACCESSORIES



NOTE: "B" STANDARD HOSE UNIT IS 68"[1727mm]
 ANY LENGTH IS AVAILABLE
 FURNISHED W/ 1/2" MALE INLET NPT ADAPTER.
 ALSO AVAILABLE W/ 3/8", 1/2" OR 3/4" NPT MALE
 OR FEMALE, AND GARDEN HOSE FEMALE ADAPTER.

Product Description:

POT & GLASS FILLER ASSEMBLY

Drawn:

MCW

Approved

CA

Checked

ARY

Scale:

3" = 1'

Date:

4-10-95