



T&S BRASS AND BRONZE WORKS, INC.
 2 SADDLEBACK COVE / P.O. BOX 1088 / TRAVELERS REST, SC 29690
 PHONE 800-476-4103 FAX 864- 834-3518



Model No.

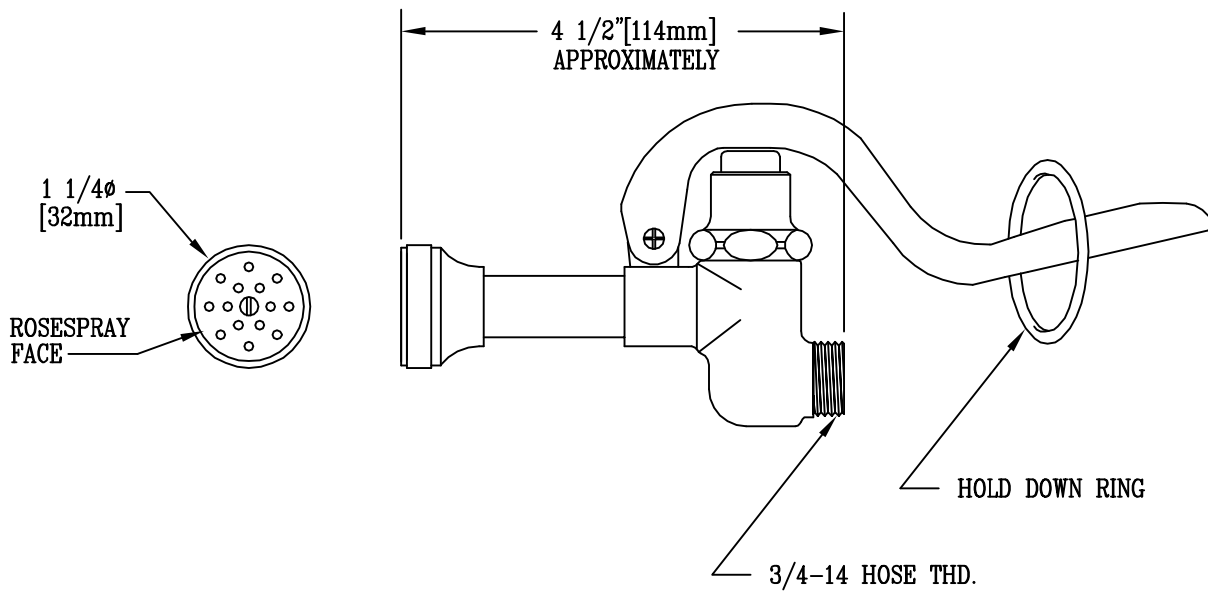
B-0107-B

Item No.:

Job Name:

Architect/Engineer Approval:

Notes:



Product Description:
 SPRAY VALVE UNIT WITH
 ROSESPRAY AERATOR

Drawn:

MCW

Checked

MW

Scale:

6" = 1'

Approved

CA

Date:

10/12/95