



T&S BRASS AND BRONZE WORKS, INC.

2 SADDLEBACK COVE / P.O. BOX 1088 / TRAVELERS REST, SC 29690
PHONE 800-476-4103 FAX 864-834-3518

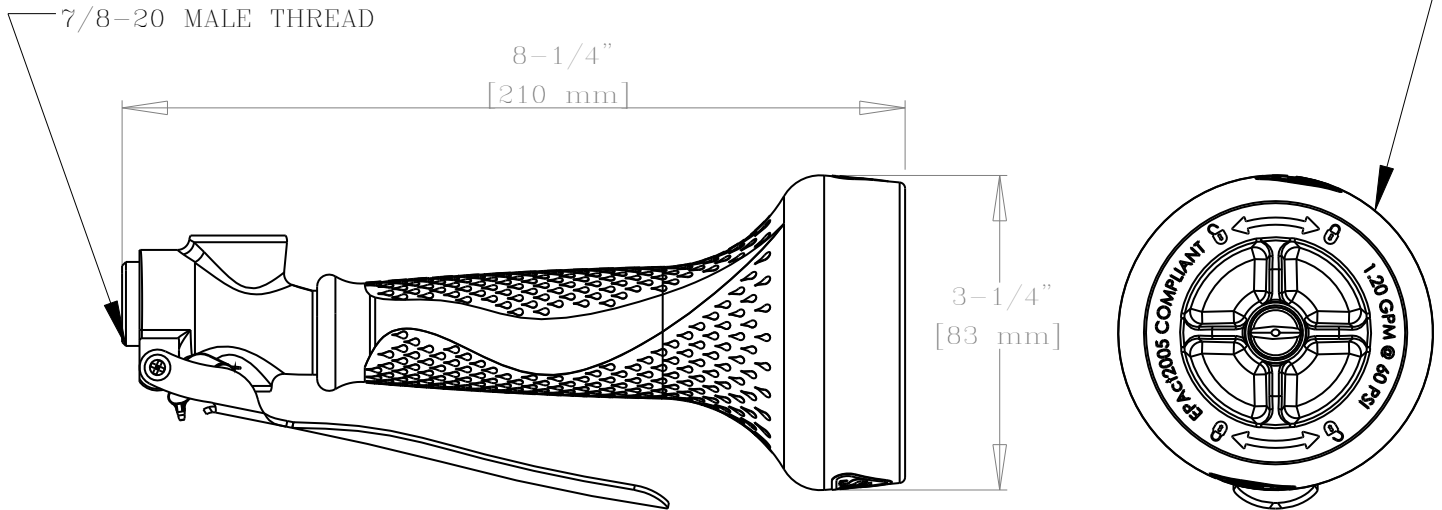
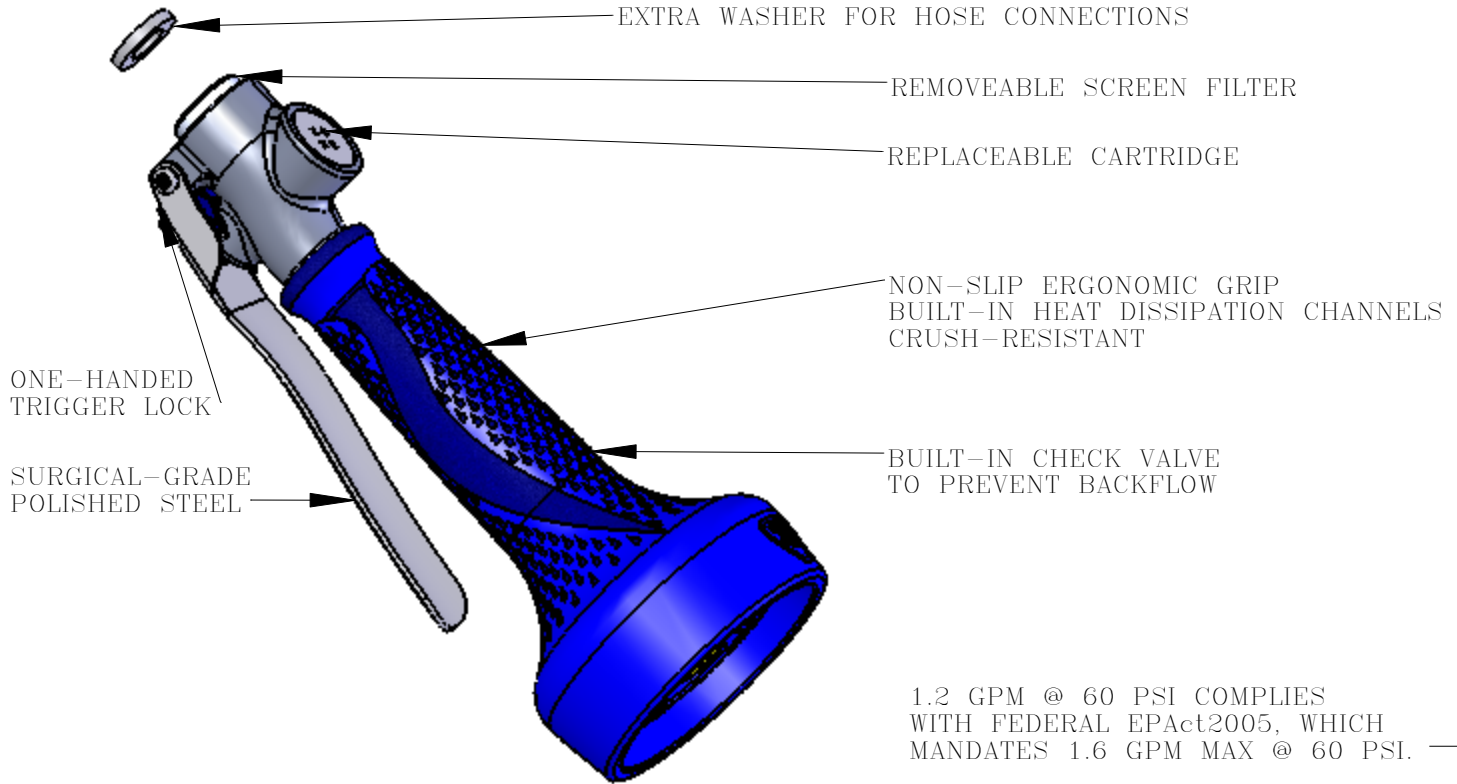


Model No. **B-0108-C**
Item No.

Job Name:

Architect/Engineer Approval:

Notes:



Product Description:

1.2 GPM SPRAY VALVE w/ ERGO-GRIP,
REPLACEABLE SPRAY FACE, &
INTEGRATED ONE-HANDED TRIGGER LOCK

Drawn:

JRM

Checked:

WJS

Scale:

1:1

Approved:

JHB

Date:

06/12/06