



T&S BRASS AND BRONZE WORKS, INC.

2 SADDLEBACK COVE / P.O. BOX 1088 / TRAVELERS REST, SC 29690
PHONE 800-476-4103 FAX 864-834-3518



Model No.

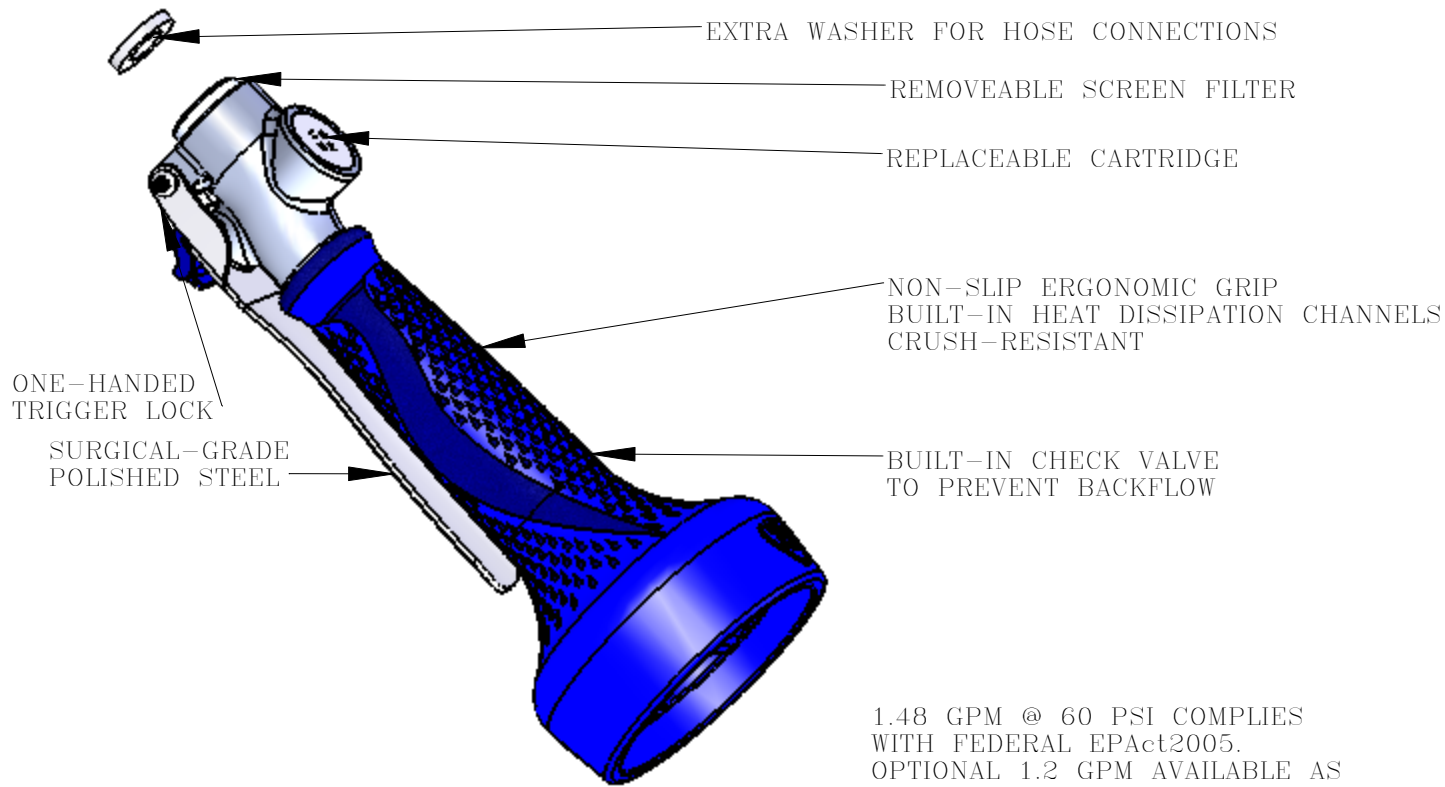
B-0108

Item No.

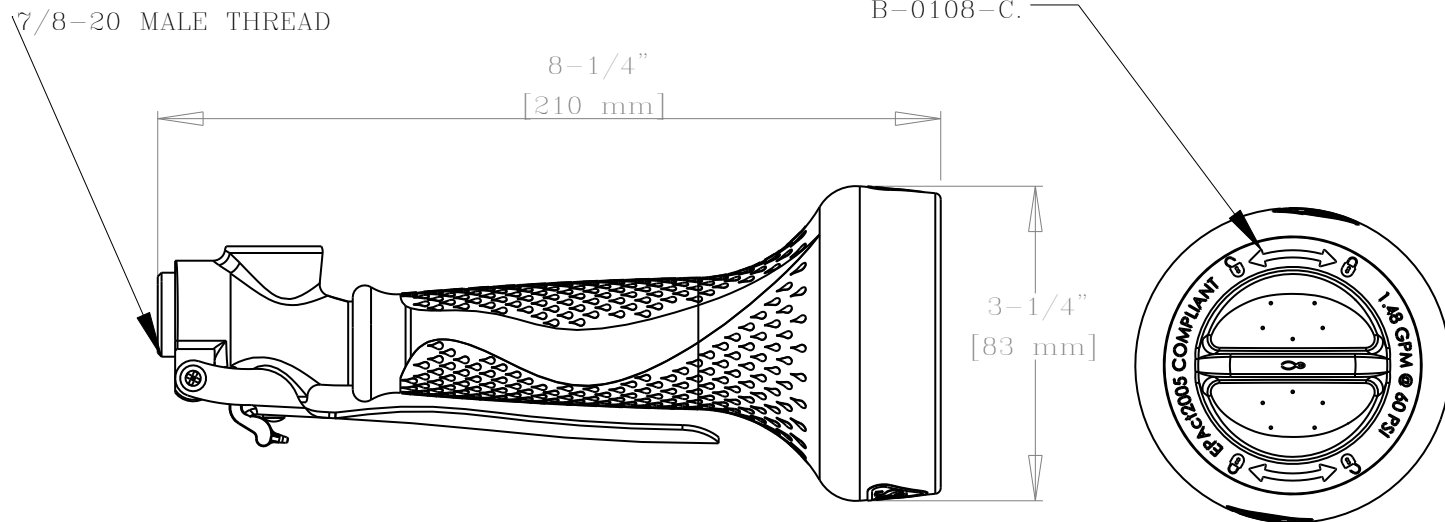
Job Name:

Architect/Engineer Approval:

Notes:



1.48 GPM @ 60 PSI COMPLIES WITH FEDERAL EPA Act 2005. OPTIONAL 1.2 GPM AVAILABLE AS B-0108-C.



Product Description:

1.48 GPM SPRAY VALVE w/ ERGO-GRIP, REPLACEABLE SPRAY FACE, & INTEGRATED ONE-HANDED TRIGGER LOCK

Drawn:

JRM

Checked:

WJS

Scale:

1:1

Approved:

JHB

Date:

5/18/06