



**T&S BRASS AND BRONZE WORKS, INC.**  
 2 SADDLEBACK COVE / P.O. BOX 1088 / TRAVELERS REST, SC 29690  
 PHONE 800-476-4103 - FAX 864- 834-3518

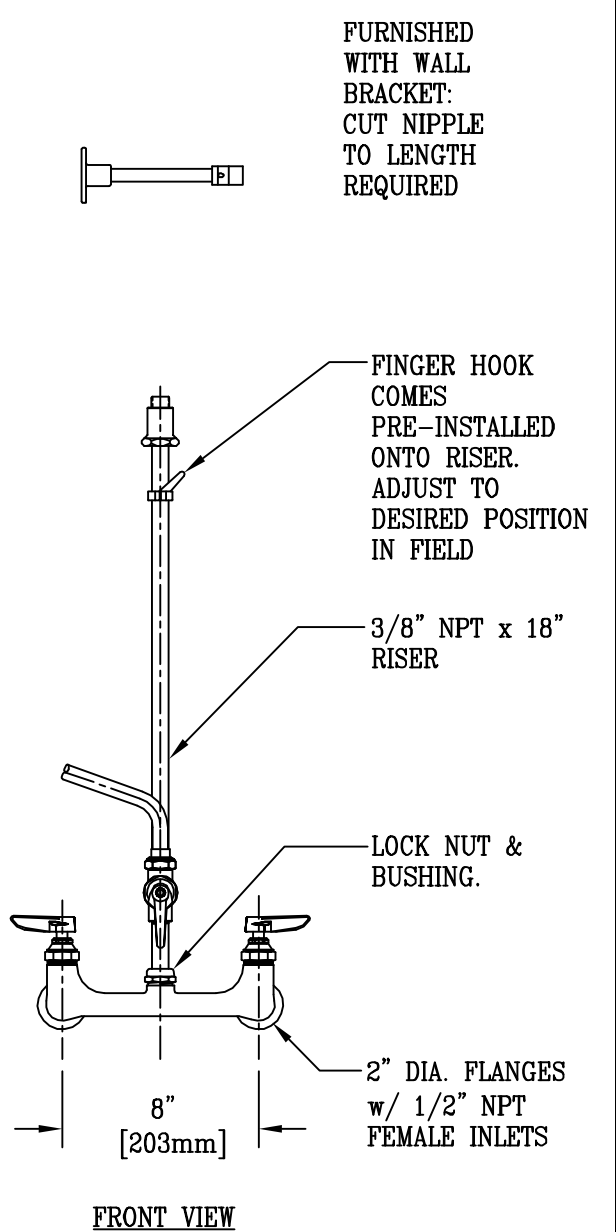
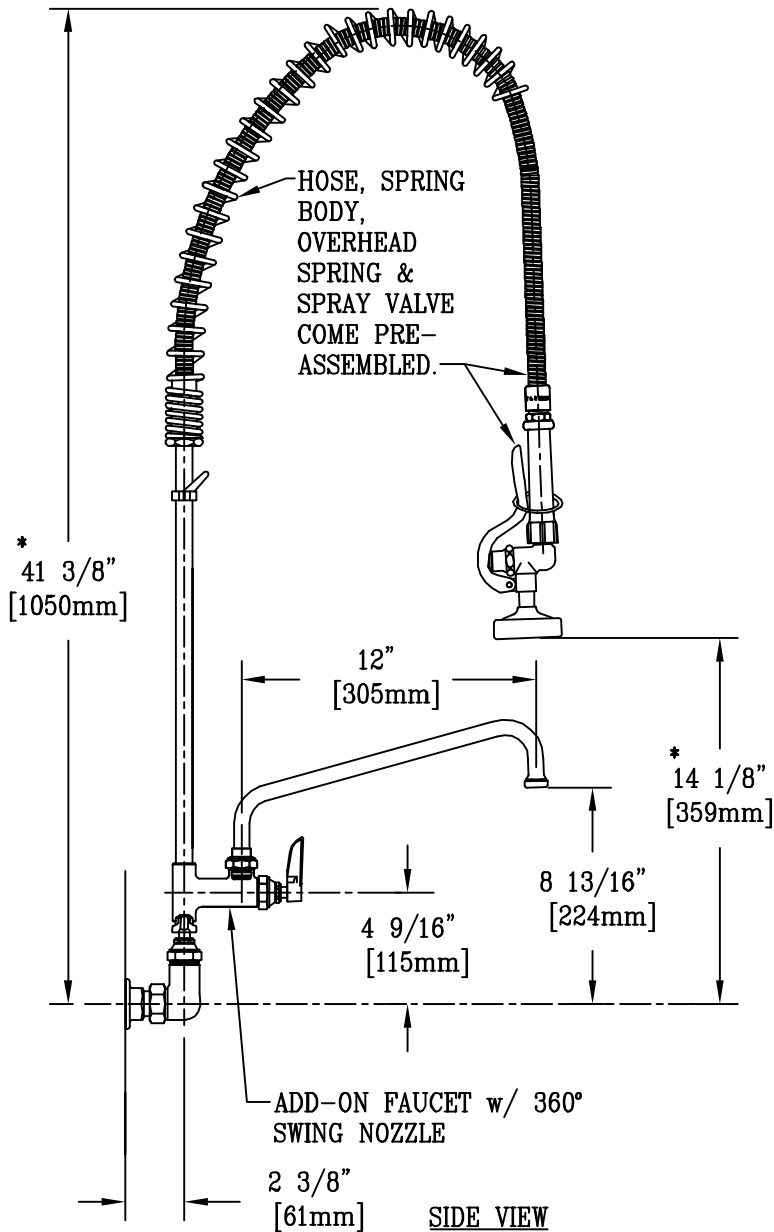


Model No.  
 B-0133-062X  
**RELIABILITY  
 BUILT IN**

Job Name:

Architect/Engineer Approval:

Notes:



FURNISHED WITH WALL BRACKET: CUT NIPPLE TO LENGTH REQUIRED

\* DIMENSIONS MAY VARY ± 1/2" ON EACH INSTALLATION

Product Description:  
 EASY INSTALL PRE-RINSE UNIT:  
 8" c/c WALL MOUNT BASE FAUCET, 1/2" NPT FEMALE INLETS, 18" RISER, ADD ON FCT., 12" SWING NOZZLE, SUPPORT SPRING, 44" FLEX HOSE, B-0107 SPRAY

Drawn: WJS	Checked LEL	Scale: 1 : 8
Approved MVW	Date: 1/21/04	