



T&S BRASS AND BRONZE WORKS, INC.

2 SADDLEBACK COVE / P.O. BOX 1088 / TRAVELERS REST, SC 29690

PHONE 800-476-4103

FAX 864- 834-3518



Model No.

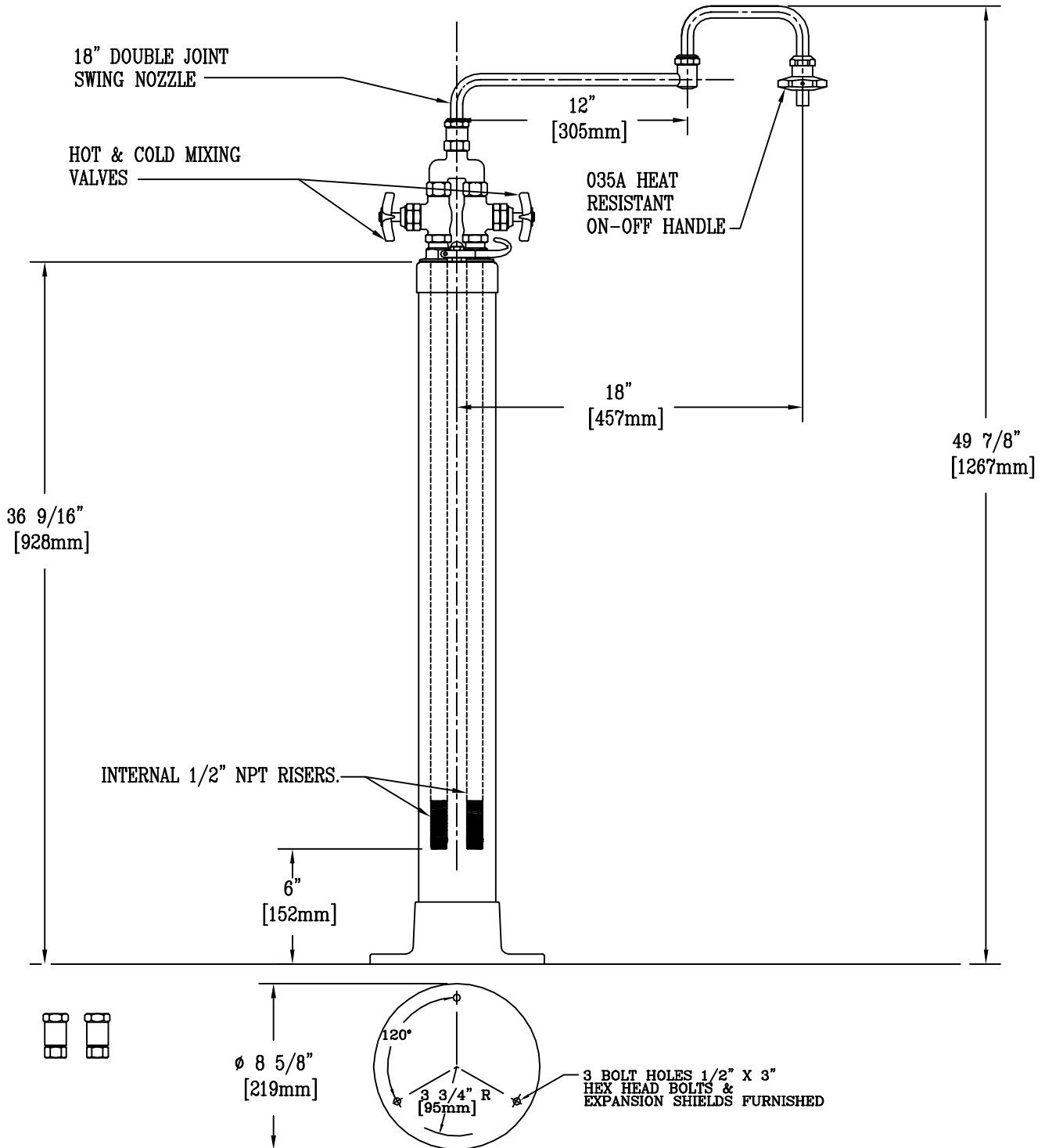
B-0186

Item No.:

Job Name:

Architect/Engineer Approval:

Notes:



Product Description:
 KETTLE KADDY ASSEMBLY: STANCHION ASSEMBLY WITH
 HOT & COLD MIXING VALVES, 18" DOUBLE JOINT
 SWING NOZZLE, & CHECK VALVES

Drawn:

WJS

Checked:

JKD

Scale:

1:8

Approved:

MVW

Date:

9/17/01