



T&S BRASS AND BRONZE WORKS, INC.
 2 SADDLEBACK COVE / P.O. BOX 1088 / TRAVELERS REST, SC 29690
 PHONE 800-476-4103 FAX 864-834-3518



Model No.

B-0191

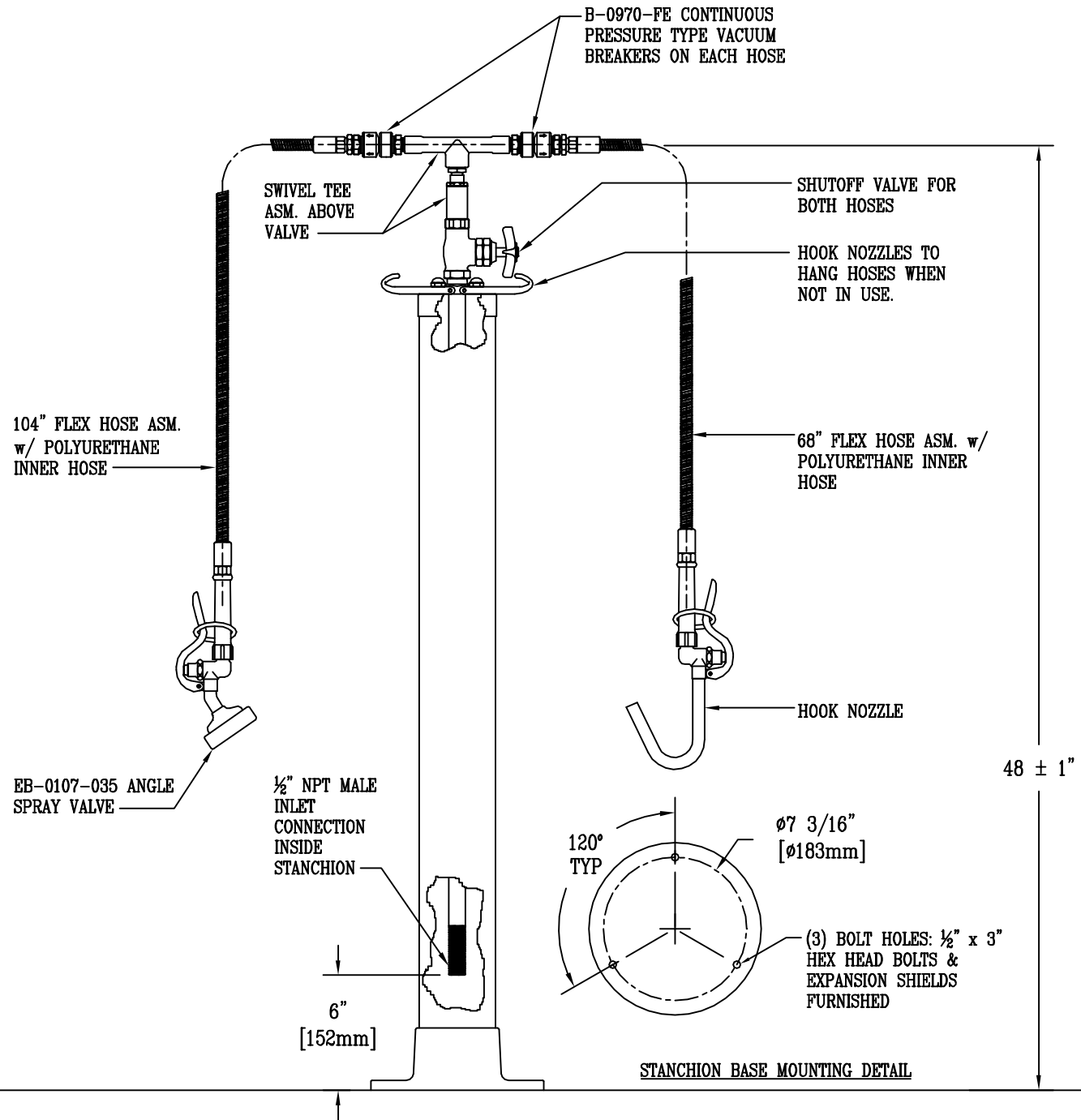
Item No.:

Job Name:

Architect/Engineer Approval:

Notes:

EPAct2005 NON-COMPLIANT



Product Description:
 KETTLE KADDY ASSEMBLY:
 COMBINATION KETTLE FILLER & SPRAY STANCHION
 w/ CONTINUOUS PRESSURE TYPE VACUUM BREAKER & HOSE ASSEMBLIES

Drawn:

RJK

Approved

JHB

Checked

JRM

Scale:

1 : 8

Date:

1-4-06