



T&S BRASS AND BRONZE WORKS, INC.
 2 SADDLEBACK COVE / P.O. BOX 1088 / TRAVELERS REST, SC 29690
 PHONE 800-476-4103 - FAX 864- 834-3518



Model No.

B-0201

"RELIABILITY
 BUILT IN"

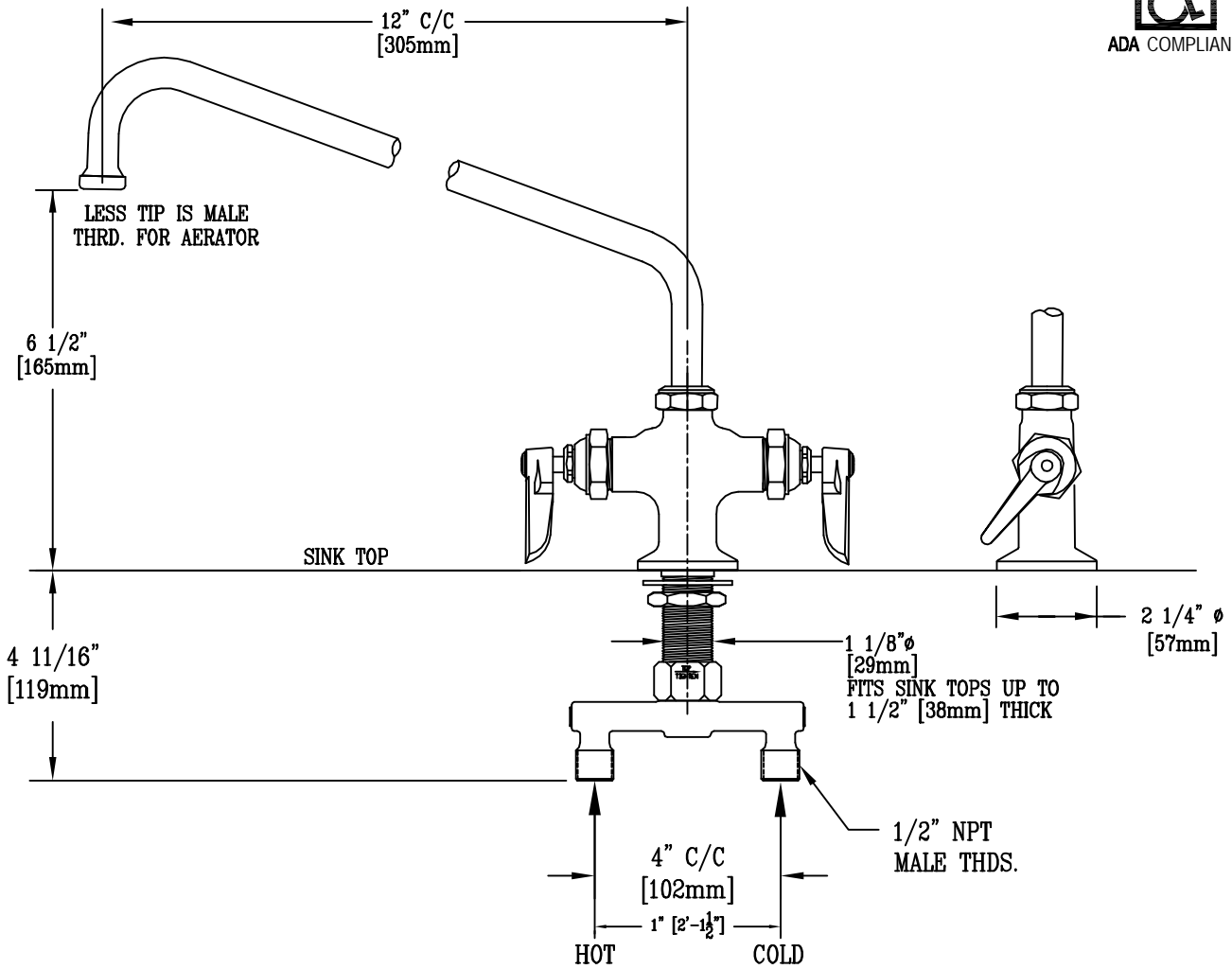
Job Name:

Architect/Engineer Approval:

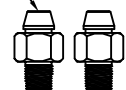
Notes:



ADA COMPLIANT



150A TAILPIECE
 AND NUT FURNISHED
 FOR OPTIONAL
 1/4" NPT CONNECTION



Product Description:

DOUBLE PANTRY FAUCET w/ 4" SPREADER ASM
 AND 12" SWING NOZZLE w/ STREAM REGULATOR

Drawn:

PRJ

Approved

MVW

Checked

WJS

Scale:

1 : 4

Date:

05/23/02