



T&S BRASS AND BRONZE WORKS, INC.  
 2 SADDLEBACK COVE / P.O. BOX 1088 / TRAVELERS REST, SC 29690  
 PHONE 800-476-4103 - FAX 864- 834-3518



B-0205-LN

RELIABILITY  
 BUILT IN

Job Name:

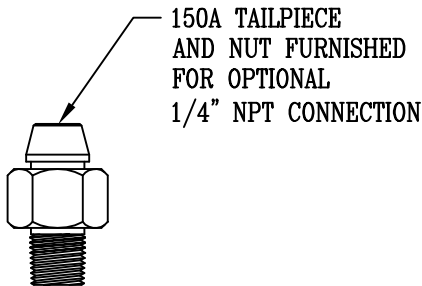
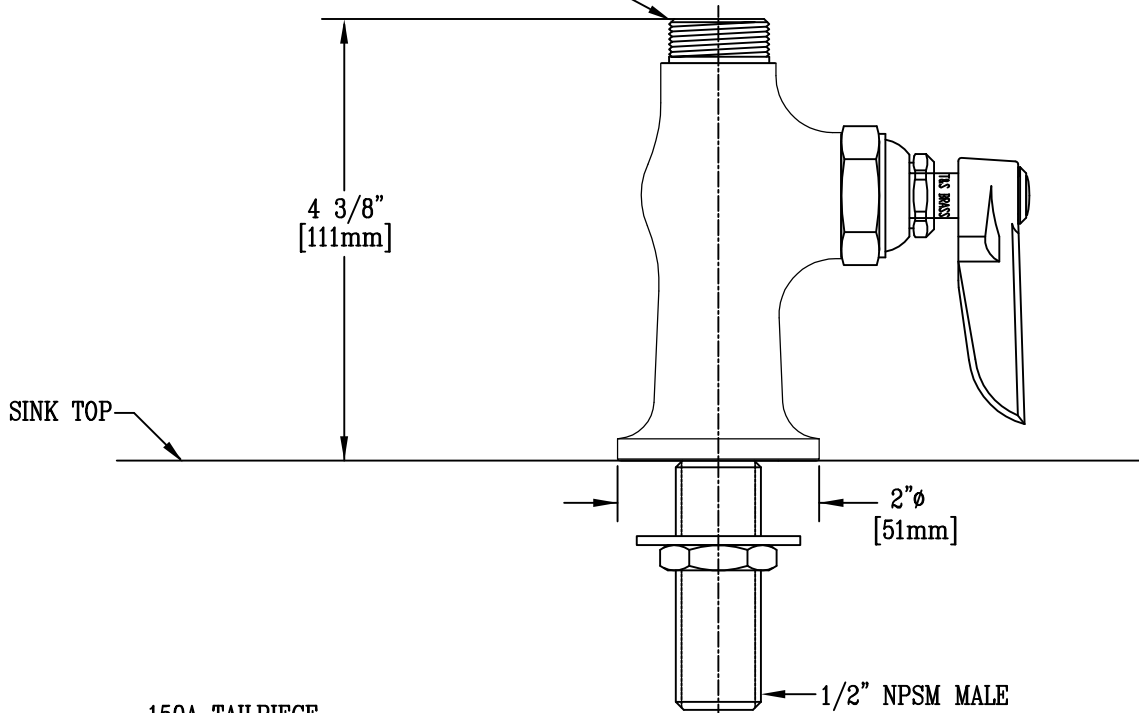
Architect/Engineer Approval:

Notes:



ADA COMPLIANT

SWIVEL OUTLET ACCEPTS  
 STANDARD T&S SWING  
 NOZZLES



Product Description:

SINGLE PANTRY SWIVEL BASE FCT., LESS NOZZLE

Drawn:

LEL

Approved

MVW

Checked

JKD

Scale:

1 : 2

Date:

9/11/02