



T&S BRASS AND BRONZE WORKS, INC.
 2 SADDLEBACK COVE / P.O. BOX 1088 / TRAVELERS REST, SC 29690
 PHONE 800-476-4103 - FAX 864- 834-3518



Model No.

B-0219

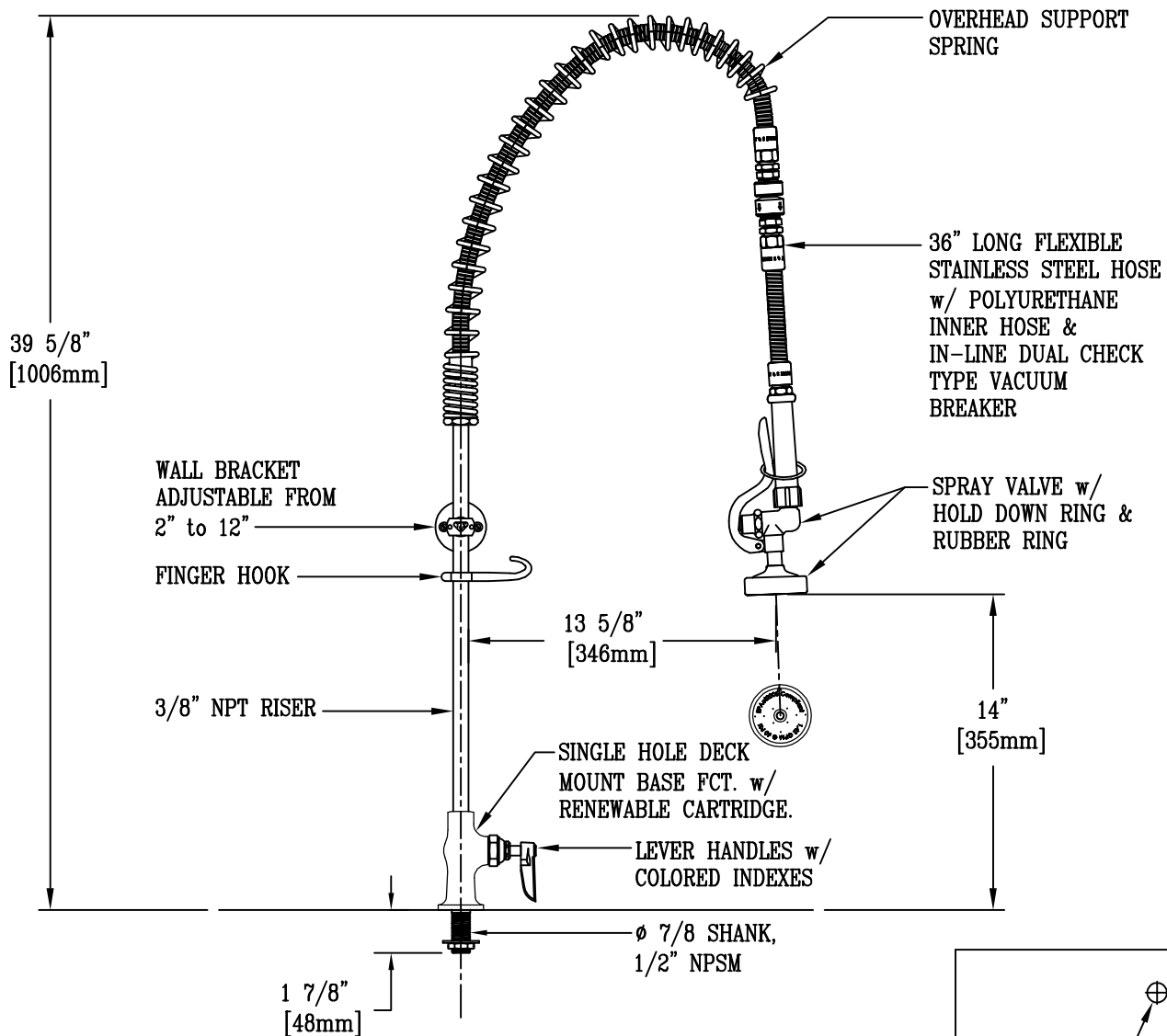
**RELIABILITY
BUILT IN**

Job Name:

Architect/Engineer Approval:

Notes:

EPAct2005 COMPLIANT



RECOMMENDED PRESSURE RANGE: 20-125 PSI.
 MAX OPERATING TEMPERATURE 150° F.

Ø7/8" [Ø22mm]

ROUGH IN

Product Description:
 SINGLE HOLE DECK MOUNT FAUCET w/ PRE-RINSE ASSEMBLY, WALL BRACKET,
 SPRAY VALVE, FINGER HOOK, 1/2" NPSM MALE INLET SHANK

Drawn:

RJK

Approved

JHB

Checked

JRM

Scale:

1 : 8

Date:

01-04-06