



T&S BRASS AND BRONZE WORKS, INC.
 2 SADDLEBACK COVE / P.O. BOX 1088 / TRAVELERS REST, SC 29690
 PHONE 800-476-4103 - FAX 864- 834-3518



Model No.

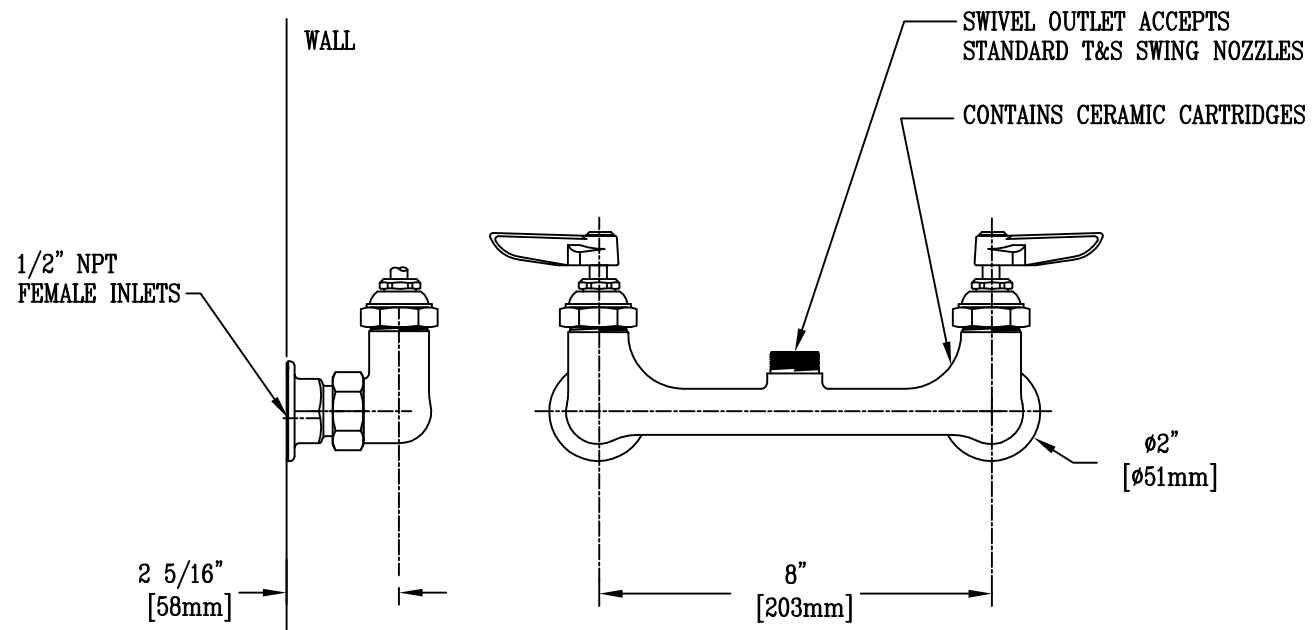
B-0230-CR-LN

**RELIABILITY
 BUILT IN**

Job Name:

Architect/Engineer Approval:

Notes:



Product Description:
 B-0230 8" c/c WALL MOUNT BASE FCT. WITH CERAMIC CARTRIDGES, LESS NOZZLE

Drawn:

WJS

Checked

JRM

Scale:

1 : 4

Approved

JHB

Date:

11/13/06