



T&S BRASS AND BRONZE WORKS, INC.

2 SADDLEBACK COVE / P.O. BOX 1088 / TRAVELERS REST, SC 29690

PHONE 800-476-4103 - FAX 864- 834-3518



REG.#A2601
ISO #9001

Model No.

B-0263

RELIABILITY
BUILT IN

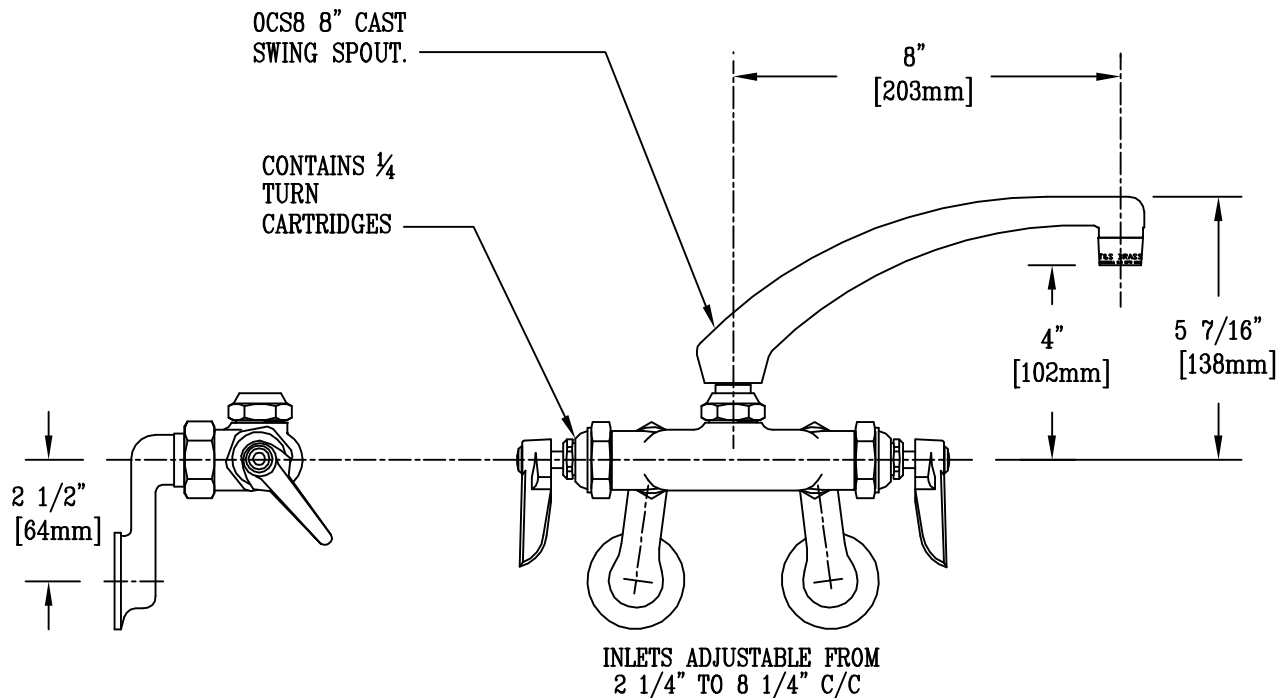
Job Name:

Architect/Engineer Approval:

Notes:



ADA COMPLIANT



FURNISHED w/ (2) 007x WASHERS TO CONVERT SWIVEL TO RIGID. TO INSTALL: UNSCREW NOZZLE, LIFT OUT, & PLACE WASHERS IN SWIVEL BODY. THEN RE-INSTALL NOZZLE

Product Description:

WALL MOUNT FAUCET w/ ADJUSTABLE INLET CENTERS, AND 8" CAST SPOUT, 1/4-TURN CARTRIDGES

Drawn:

WJS

Approved

JHB

Checked

LEL

Scale:

1 : 4

Date:

6/21/05