



T&S BRASS AND BRONZE WORKS, INC.

2 SADDLEBACK COVE / P.O. BOX 1088 / TRAVELERS REST, SC 29690

PHONE 800-476-4103

FAX 864-834-3518



REG. #A2601  
ISO #9002

Model No.

B-0704

Item No.:

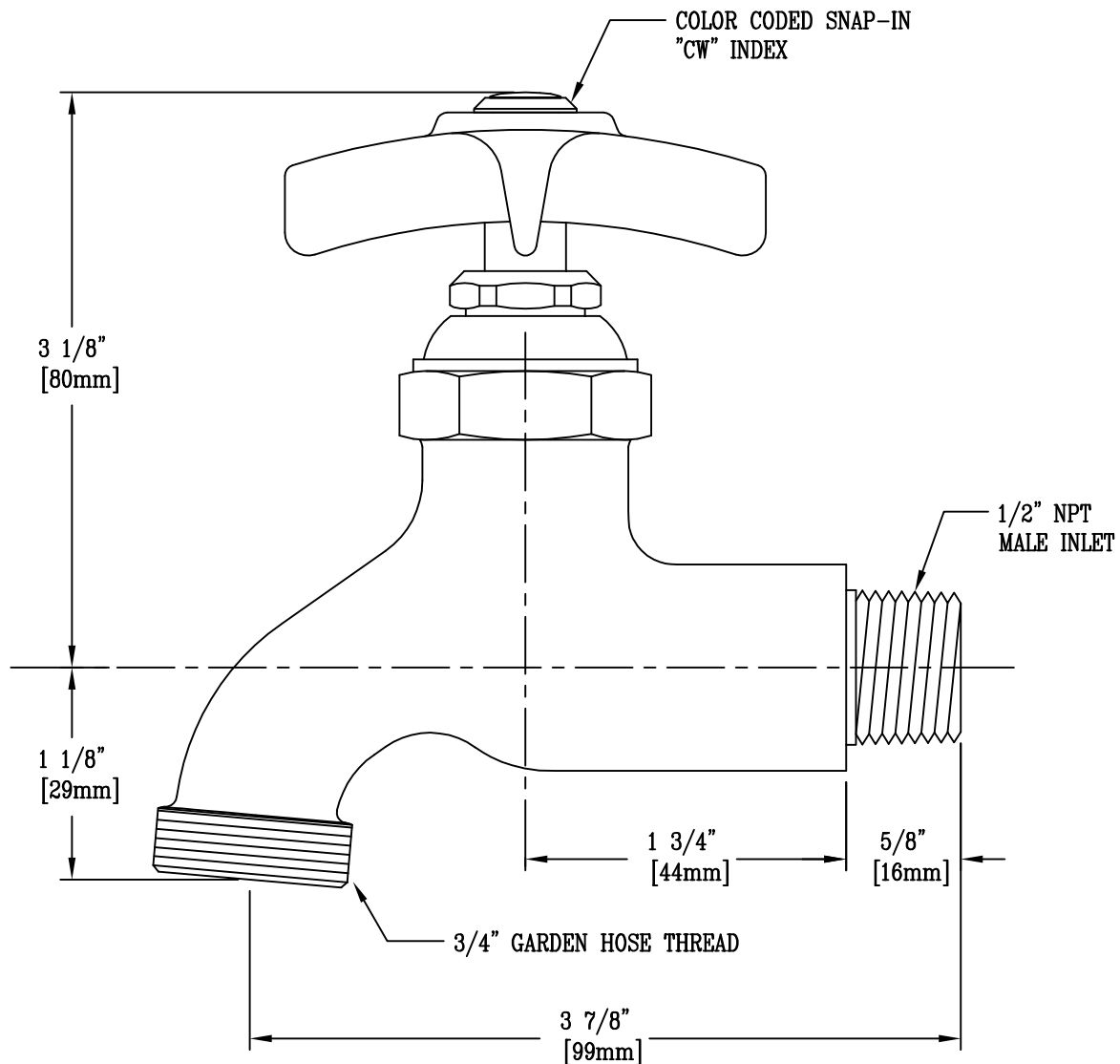
Job Name:

Architect/Engineer Approval:

Notes:



ADA COMPLIANT



Product Description:

SINGLE SINK FAUCET WITH 1/2" NPT MALE INLET  
4-ARM HANDLE & 3/4" GARDEN HOSE OUTLET

Drawn:

TEH

Checked

WJS

Scale:

1 : 1

Approved

MVW

Date:

2/7/05