



T&S BRASS AND BRONZE WORKS, INC.

2 Saddleback Cove / P.O. Box 1088
Travelers Rest, SC 29690



REG. #A2601
ISO #9001

Model No.
B-0710

Item No.

Travelers Rest, SC: 800-476-4103 Simi Valley, CA: 800-423-0150 Fax: 864-834-3518 www.tsbrass.com

This Space for Architect/Engineer Approval

Job Name _____ Date _____

Model Specified _____ Quantity _____

Customer/Wholesaler _____

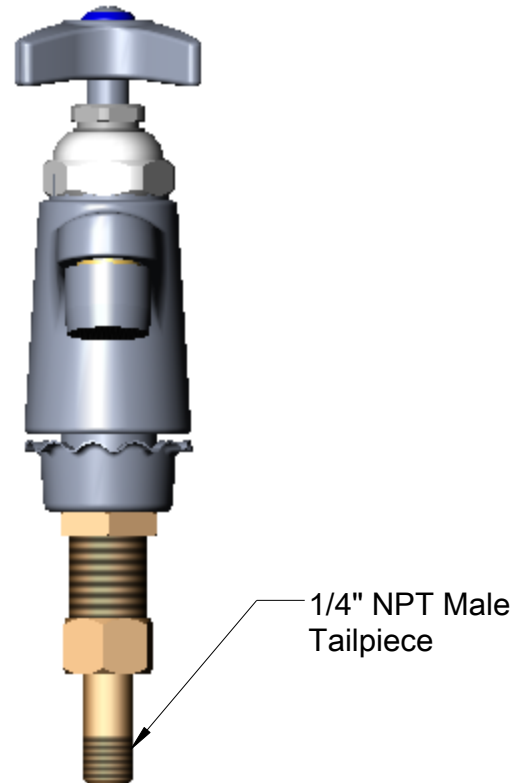
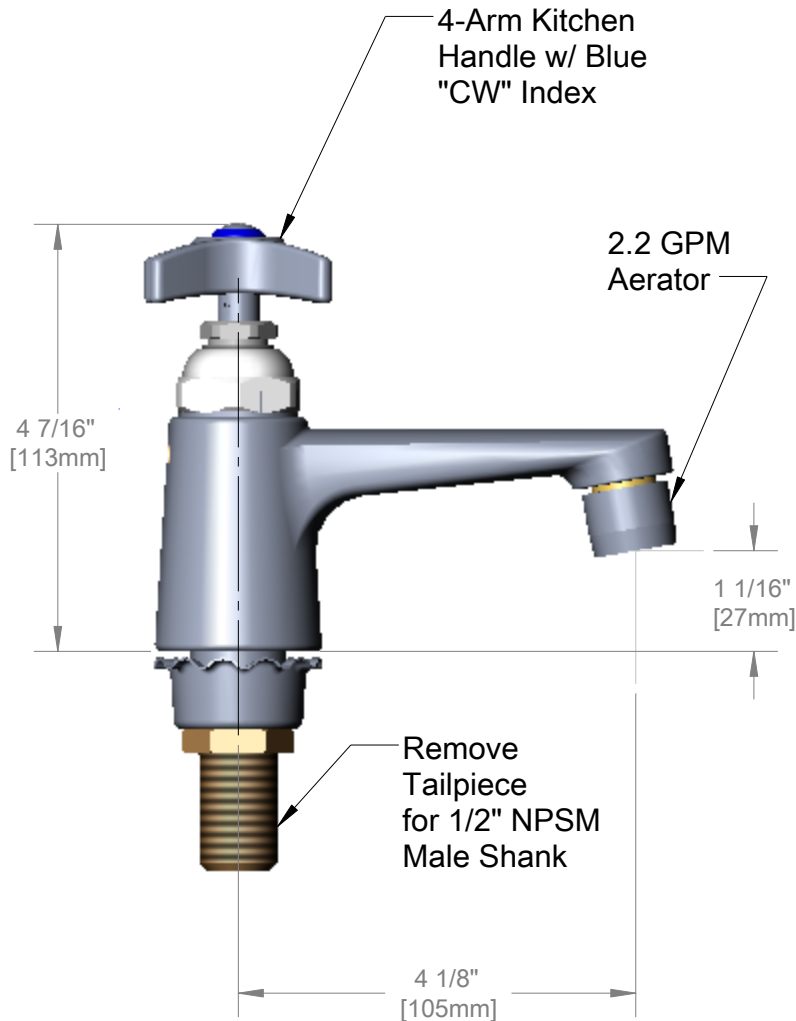
Contractor _____

Architect/Engineer _____



Variations or Applicable Options:

- WH6 6" Wrist Action Handle
- 177F Lever Handle



Product Specifications:

Single Temperature Basin Faucet w/ 1/2" NPSM Male Shank, 4-Arm Kitchen Handle, and 2.2 GPM Aerator

Drawn WJS	Checked JRM	Approved JHB
Scale: 1:2	Date: 12/04/06	



T&S BRASS AND BRONZE WORKS, INC.

2 Saddleback Cove / P.O. Box 1088
Travelers Rest, SC 29690



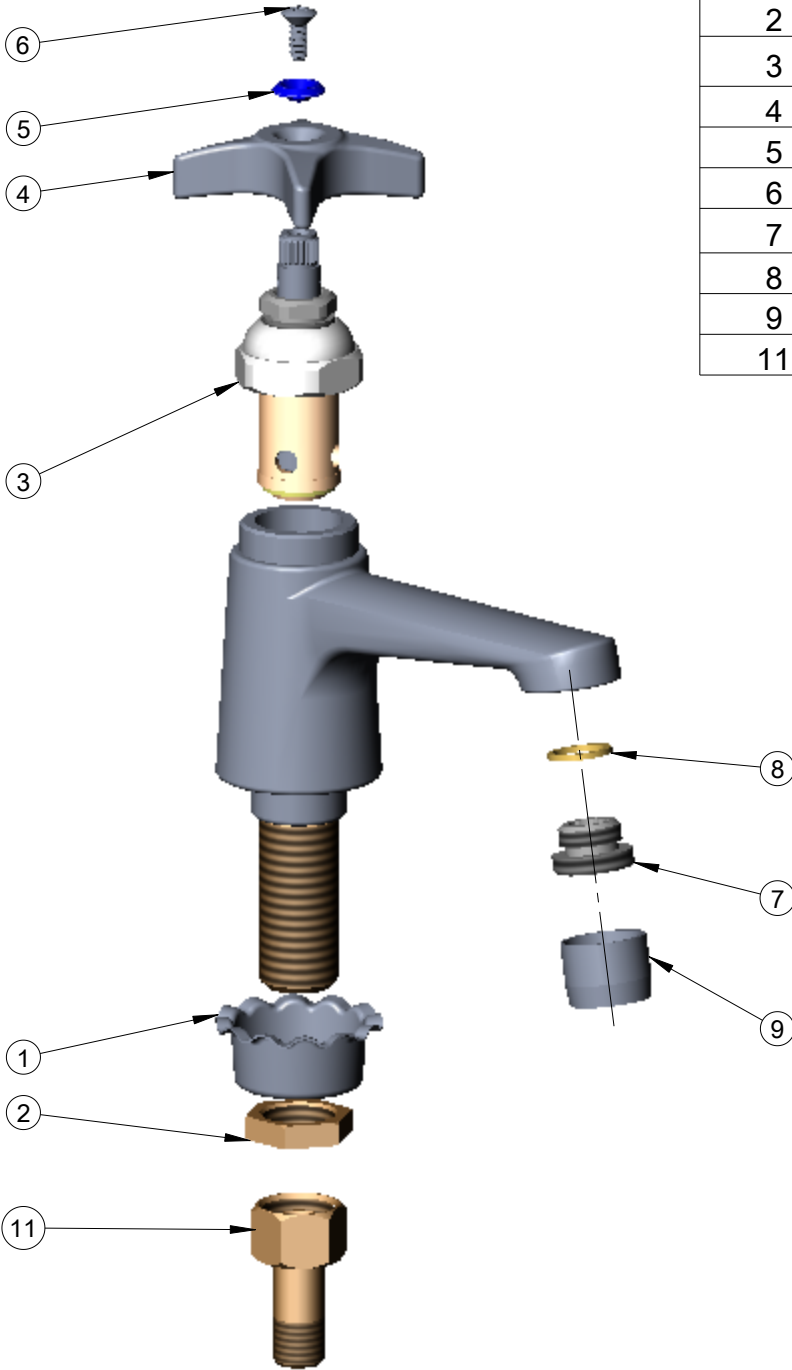
REG. #A2601
ISO #9001

Model No.

B-0710

Item No.

Travelers Rest, SC: 800-476-4103 Simi Valley, CA: 800-423-0150 Fax: 864-834-3518 www.tsbrass.com



ITEM	PART NO.	DESCRIPTION
1	001000-45	Rosette Washer
2	002954-45	Shank Lock Nut
3	005960-40	Eterna Barrel Asm-Hot
4	175F	4-Arm Handle
5	001660-45	Blue Index-CW
6	000922-45	Lever Handle Screw
7	044A	3/8" to Aer. Adapter
8	009636-45	Washer
9	B-0199-01	2.2 GPM Aerator
11	150A	Nut & Tailpiece

Product Specifications:

Single Temperature Basin Faucet w/ 1/2" NPSM
Male Shank, 4-Arm Kitchen Handle,
and 2.2 GPM Aerator

Drawn
WJS

Checked
JRM

Approved
JHB

Scale:

1:2

Date:

12/04/06