



T&S BRASS AND BRONZE WORKS, INC.

2 Saddleback Cove / P.O. Box 1088
Travelers Rest, SC 29690



REG. #A2601
ISO #9001

Model No.
B-0712

Item No.

Travelers Rest, SC: 800-476-4103 Simi Valley, CA: 800-423-0150 Fax: 864-834-3518 www.tsbrass.com

This Space for Architect/Engineer Approval

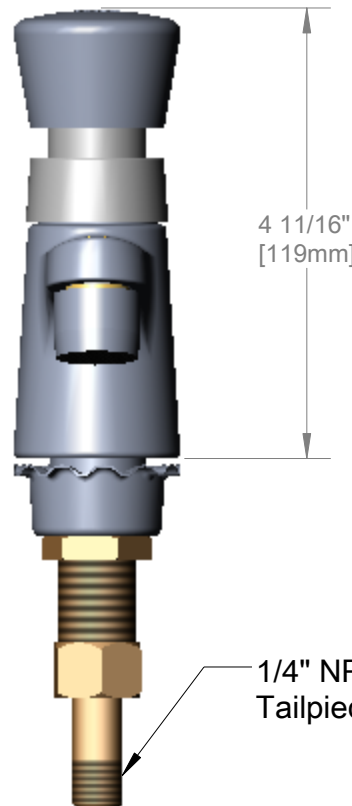
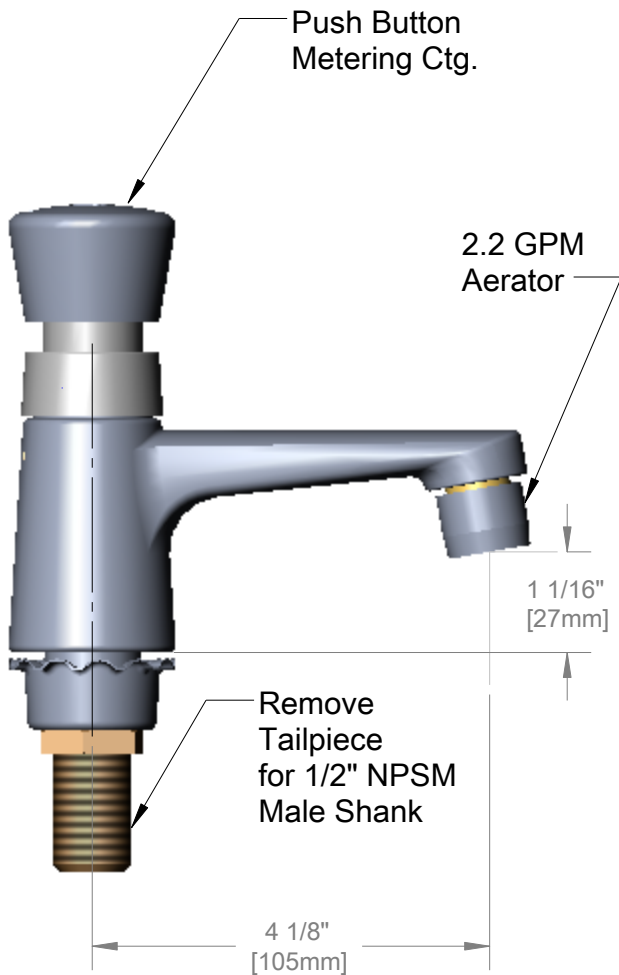
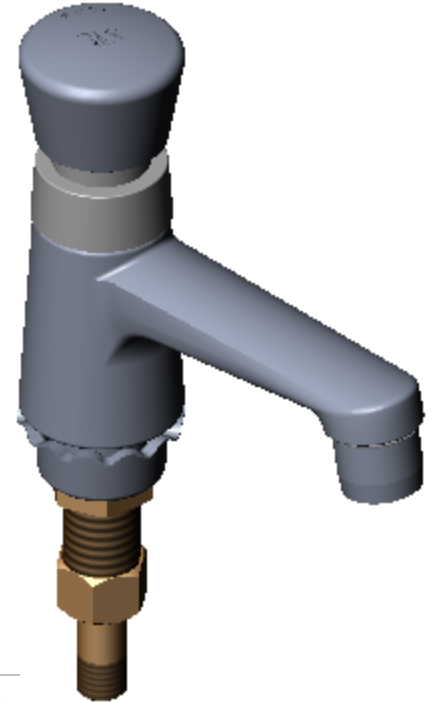
Job Name _____ Date _____

Model Specified _____ Quantity _____

Customer/Wholesaler _____

Contractor _____

Architect/Engineer _____



Furnished w/
Spanner Bit for
Flow Duration
Adjustment

Product Specifications:
Single Temperature Basin Faucet w/ 1/2" NPSM
Male Shank, Push Button Metering Cartridge,
and 2.2 GPM Aerator

Drawn
WJS

Checked
JRM

Approved
JHB

Scale:

1:2

Date:

12/04/06



T&S BRASS AND BRONZE WORKS, INC.

2 Saddleback Cove / P.O. Box 1088
Travelers Rest, SC 29690



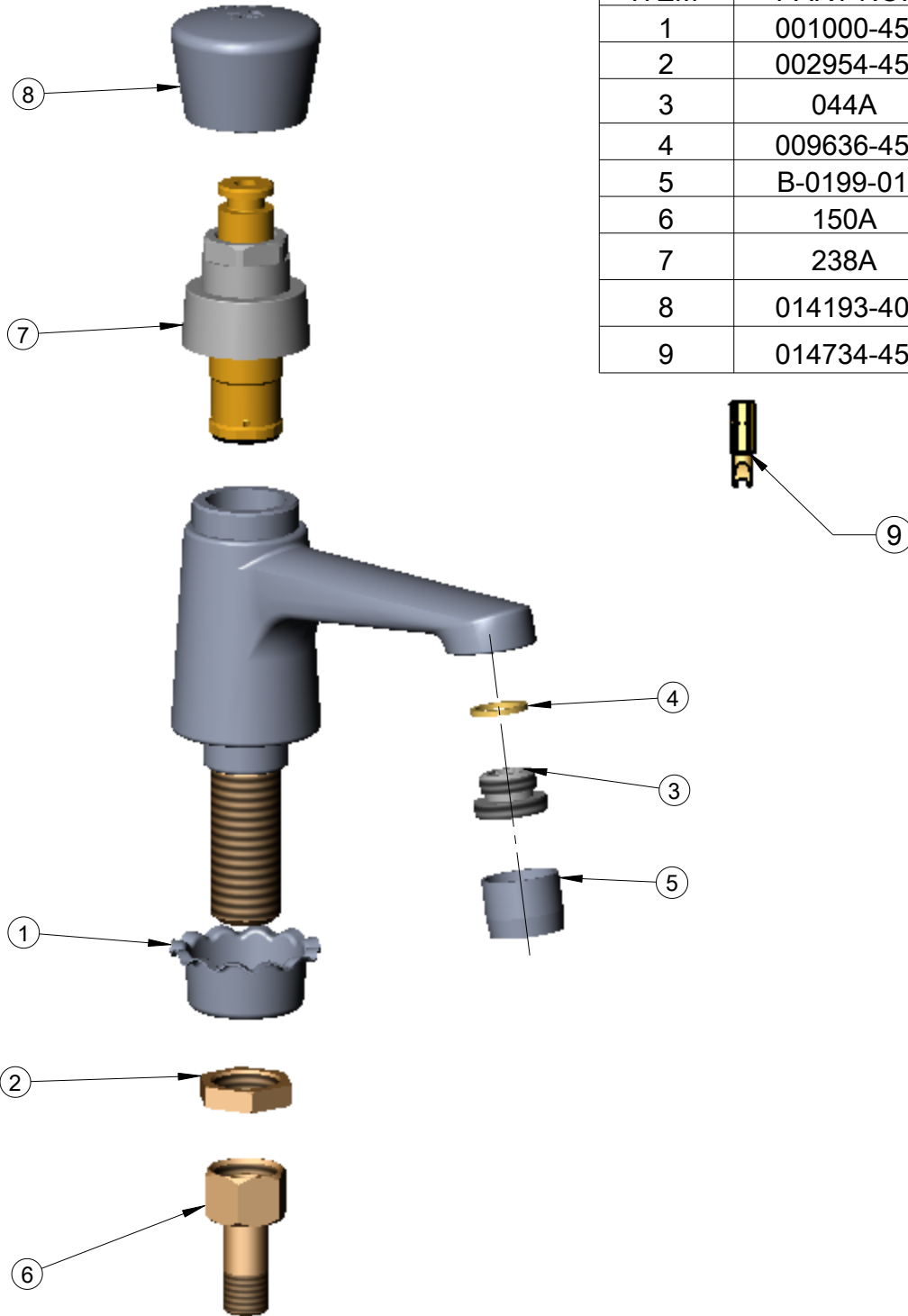
REG. #A2601
ISO #9001

Model No.
B-0712

Item No.

Travelers Rest, SC: 800-476-4103 Simi Valley, CA: 800-423-0150 Fax: 864-834-3518 www.tsbrass.com

ITEM	PART NO.	DESCRIPTION
1	001000-45	Rosette Washer
2	002954-45	Shank Lock Nut
3	044A	3/8" to Aer. Adapter
4	009636-45	Washer
5	B-0199-01	2.2 GPM Aerator
6	150A	Nut & Tailpiece
7	238A	Push Button Metering Ctg.
8	014193-40	Push Button Cap Asm.
9	014734-45	Spanner Bit



Product Specifications:

Single Temperature Basin Faucet w/ 1/2" NPSM Male Shank, Push Button Metering Cartridge, and 2.2 GPM Aerator

Drawn WJS	Checked JRM	Approved JHB
Scale: 1:2		Date: 12/04/06