



T&S BRASS AND BRONZE WORKS, INC.

2 SADDLEBACK COVE / P.O. BOX 1088 / TRAVELERS REST, SC 29690

PHONE 800-476-4103

FAX 864-834-3518



REG.#A2601
ISO #9002

Model No.

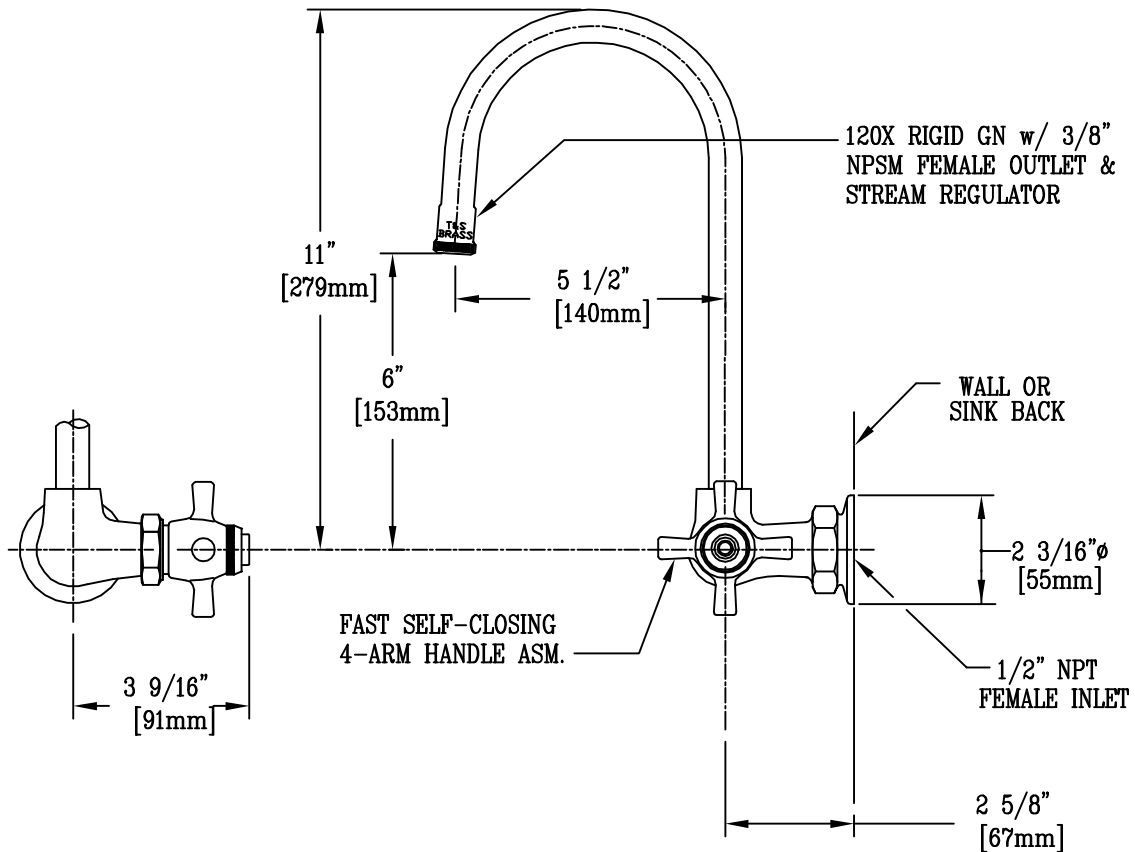
B-0760

Item No.:

Job Name:

Architect/Engineer Approval:

Notes:



Product Description:
WALL MOUNT SINGLE FCT. w/ 120X
RIGID GOOSENECK, SELF-CLOSING HANDLE,
& 1/2" NPT FEMALE INLET

Drawn:

WJS

Checked:

Approved

Scale:

1:4

Date: