



T&S BRASS AND BRONZE WORKS, INC.
 2 SADDLEBACK COVE / P.O. BOX 1088 / TRAVELERS REST, SC 29690
 PHONE 800-476-4103 FAX 864-834-3518



Model No.

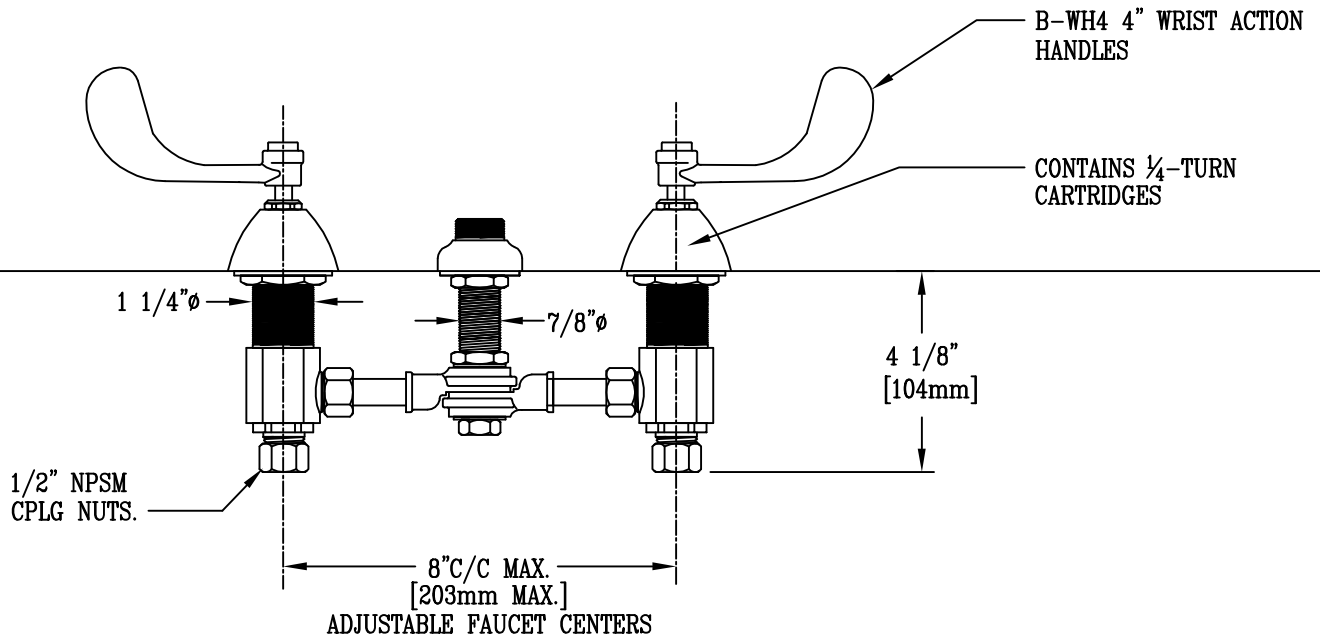
B-0866-04-LN

Item No.:

Job Name:

Architect/Engineer Approval:

Notes:



Product Description:

DECK MOUNTED MIXING FAUCET WITH 4" WRIST ACTION HANDLES, ADJUSTABLE INLET CENTERS, AND 1/4 TURN CARTRIDGES. FURNISHED LESS NOZZLE

Drawn:

WJS

Checked

LEL

Scale:

1 : 4

Approved

JHB

Date:

6/21/05