

T&S BRASS AND BRONZE WORKS, INC.
 2 SADDLEBACK COVE / P.O. BOX 1088 / TRAVELERS REST, SC 29690
 PHONE 800-476-4103 FAX 864-834-3518

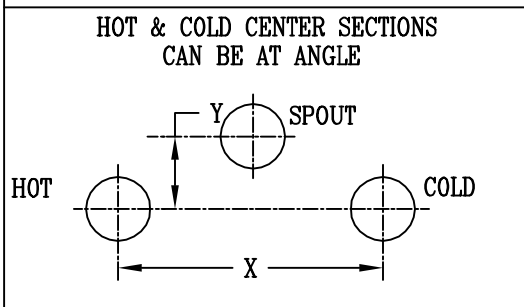
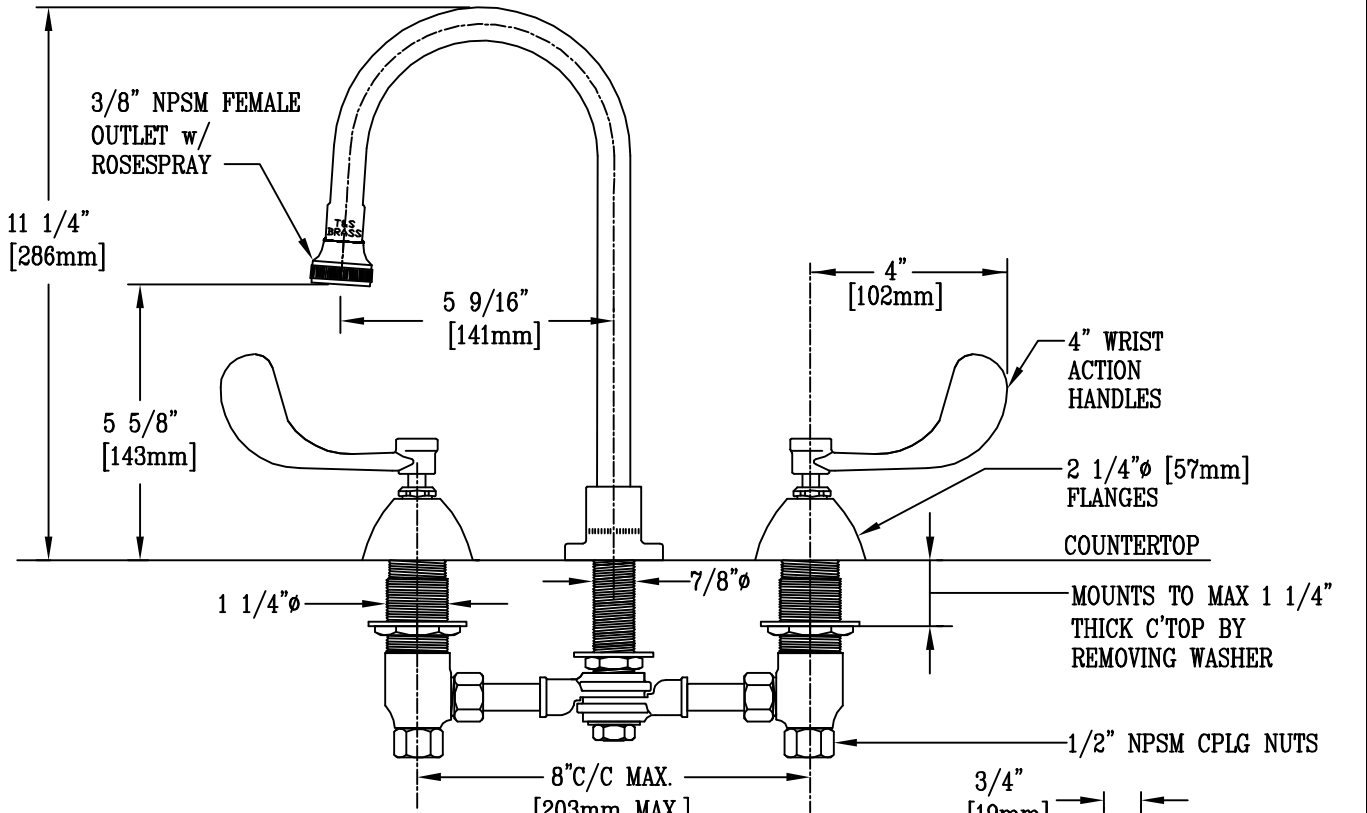


Model No.
 B-0868-04
 Item No.:

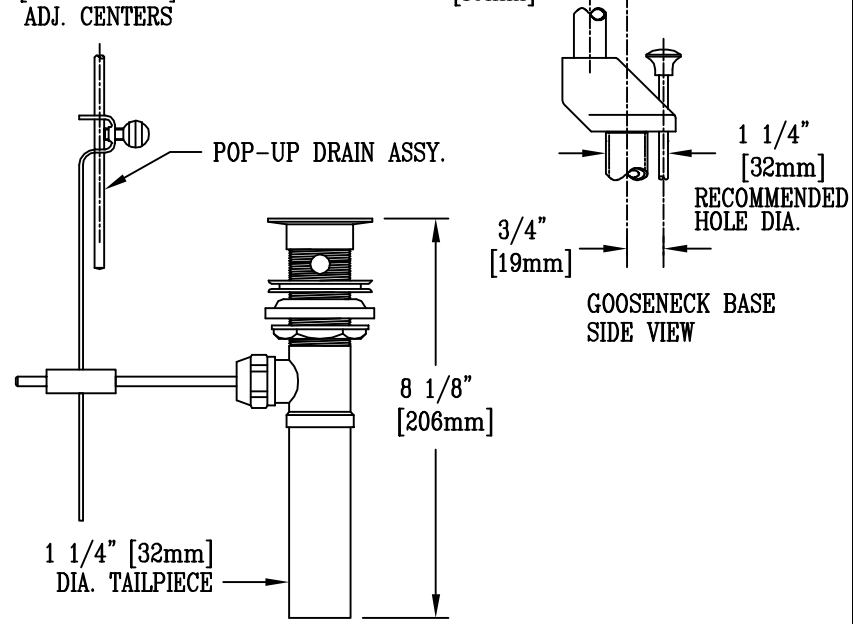
Job Name: _____ Architect/Engineer Approval: _____

Notes: _____

NSF STANDARD 61, SECTION 9 CERTIFIED.



IF Y IS	THEN FAUCET WILL FIT X WITH STD. 1/4" NPT CROSS PIPES FURNISHED
1/2"	8"
1"	7 3/4"
1 1/2"	7 3/8"
2"	7"



Product Description: DECK MOUNTED MIXING FAUCET WITH 4" WRIST ACTION HANDLES, ADJUSTABLE CENTERS, POP-UP DRAIN, & RIGID GOOSENECK WITH ROSESPRAY OUTLET	Drawn: TEH	Checked: WJS	Scale: 3" = 1'
	Approved: MVW	Date: 2/10/03	