



T&S BRASS AND BRONZE WORKS, INC.
 2 SADDLEBACK COVE / P.O. BOX 1088 / TRAVELERS REST, SC 29690
 PHONE 800-476-4103 FAX 864- 834-3518



Model No.

B-0874-LN

Item No.:

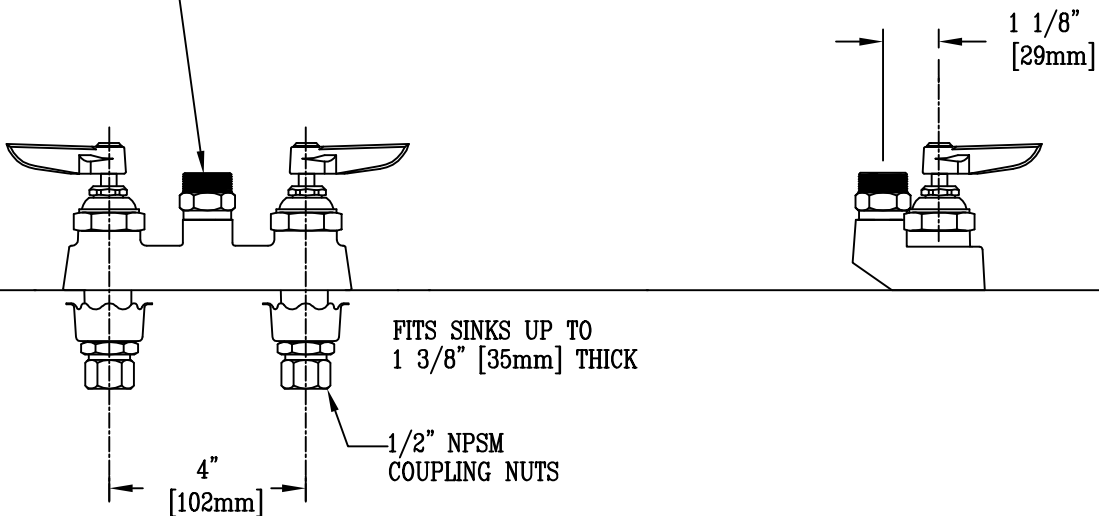
REG.#A2601
 ISO #9002

Job Name:

Architect/Engineer Approval:

Notes:

FURNISHED w/ LOOSE RIGID
 to SWIVEL ADAPTER FOR
 USE w/ STANDARD T&S
 SWING NOZZLES



Product Description:
 4" CENTERSET COMMERCIAL MIXING FAUCET
 LESS NOZZLE, & w/ RIGID to SWIVEL ADAPTER

Drawn:

WJS

Checked

JRM

Scale:

1 : 4

Approved

JHB

Date:

9/29/05