



# T&S BRASS AND BRONZE WORKS, INC.

2 Saddleback Cove / P.O. Box 1088  
Travelers Rest, SC 29690



REG. #A2601  
ISO #9001

Model No.  
**B-0892-CR**

Item No.

Travelers Rest, SC: 800-476-4103 Simi Valley, CA: 800-423-0150 Fax: 864-834-3518 www.tsbrass.com

This Space for Architect/Engineer Approval

Job Name \_\_\_\_\_ Date \_\_\_\_\_

Model Specified \_\_\_\_\_ Quantity \_\_\_\_\_

Customer/Wholesaler \_\_\_\_\_

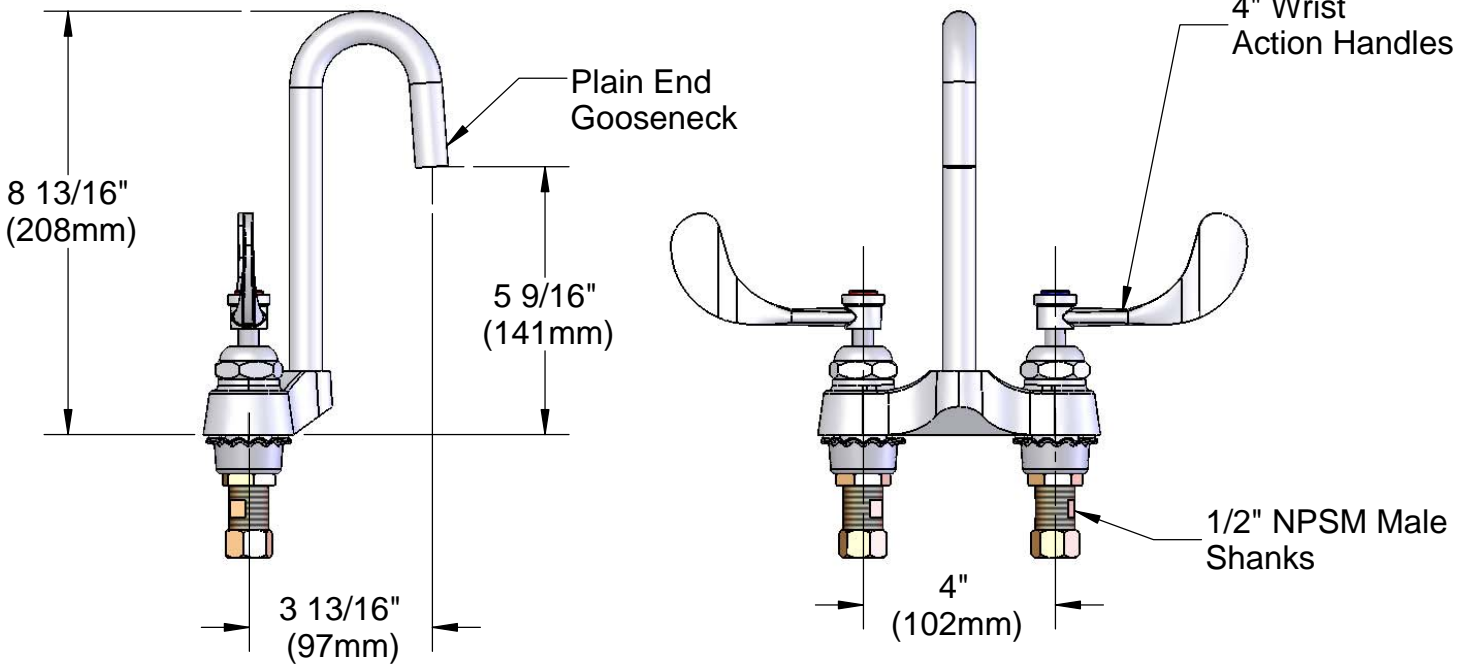
Contractor \_\_\_\_\_

Architect/Engineer \_\_\_\_\_

- Variations or Applicable Options:
- WH6      6" Wrist Action Handles
  - 177F     Lever Handles
  - 175F     4-Arm Kitchen Handles



ADA COMPLIANT



Product Specifications:  
4" Centerset Mixing Faucet, 1/2" NPSM Male Shanks,  
Ceramic Cartridges, 4" Wrist Action Handles,  
Plain End Gooseneck

Drawn WJS	Checked JRM	Approved JHB
Scale: 1:4		Date: 3/13/2006



**T&S BRASS AND BRONZE WORKS, INC.**

2 Saddleback Cove / P.O. Box 1088  
Travelers Rest, SC 29690



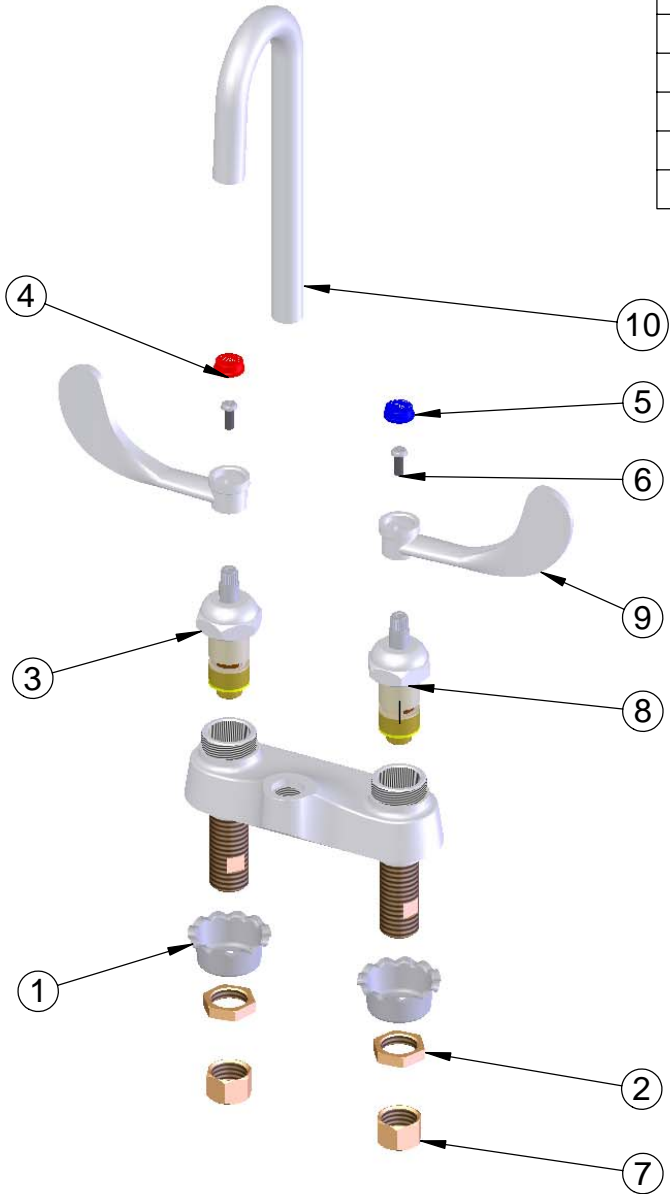
REG. #A2601  
ISO #9001

Model No.  
**B-0892-CR**

Item No.

Travelers Rest, SC: 800-476-4103 Simi Valley, CA: 800-423-0150 Fax: 864-834-3518 www.tsbrass.com

ITEM NO.	SALES NO.	DESCRIPTION
1	001000-45	Rosette Washer
2	002954-45	Shank Lock Nut
3	011278-25	Ceramic Cartridge
4	001194-45	Red HW Index
5	001686-45	Blue CW Index
6	000925-45	Lab Handle Screw
7	000958-20	Coupling Nut
8	011279-25	Ceramic Cartridge
9	B-WH4	4" Wrist Action Handle
10	006632-40	Rigid GN



Product Specifications:

4" Centerset Mixing Faucet, 1/2" NPSM Male Shanks,  
Ceramic Cartridges, 4" Wrist Action Handles,  
Plain End Gooseneck

Drawn WJS	Checked JRM	Approved JHB
Scale: 1:4		Date: 3/13/2006