



T&S BRASS AND BRONZE WORKS, INC.  
 2 SADDLEBACK COVE / P.O. BOX 1088 / TRAVELERS REST, SC 29690  
 PHONE 800-476-4103 FAX 864-834-3518



Model No.

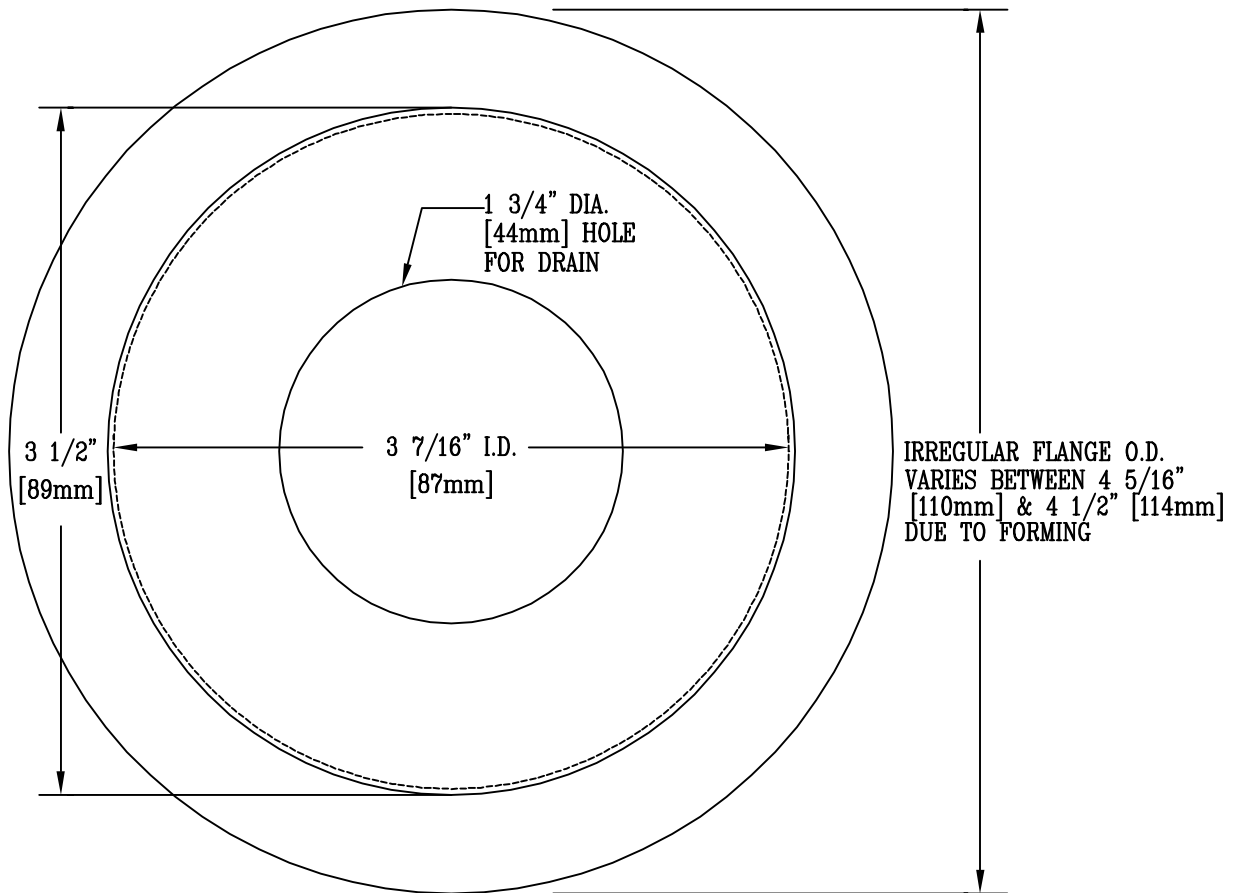
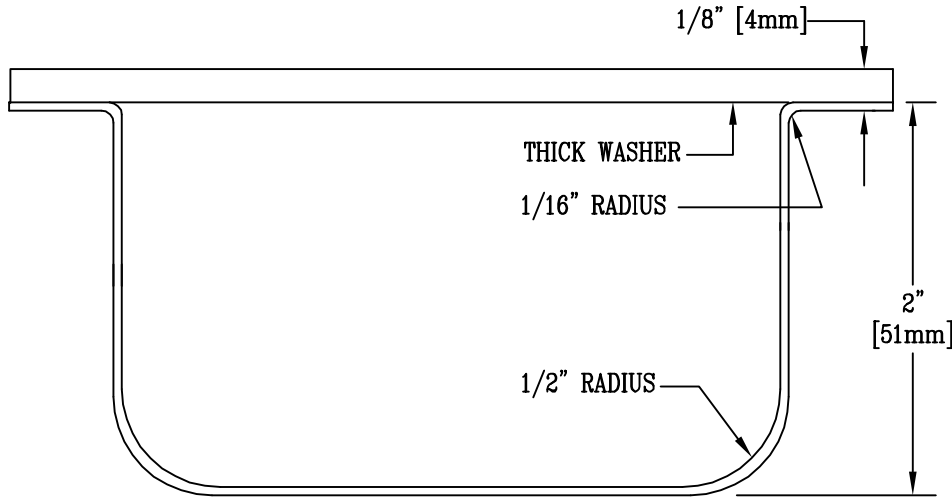
B-0897

Item No.:

Job Name:

Architect/Engineer Approval:

Notes:



Product Description:

2" DEEP X 4 1/2" DIAMETER DRAIN CUP UNIT

Drawn:

WJS

Approved

CA

Checked

JKD

Scale:

1' = 1"

Date:

8/28/95