



T&S BRASS AND BRONZE WORKS, INC.
 2 SADDLEBACK COVE / P.O. BOX 1088 / TRAVELERS REST, SC 29690
 PHONE 800-476-4103 FAX 803-834-3518



Model No.

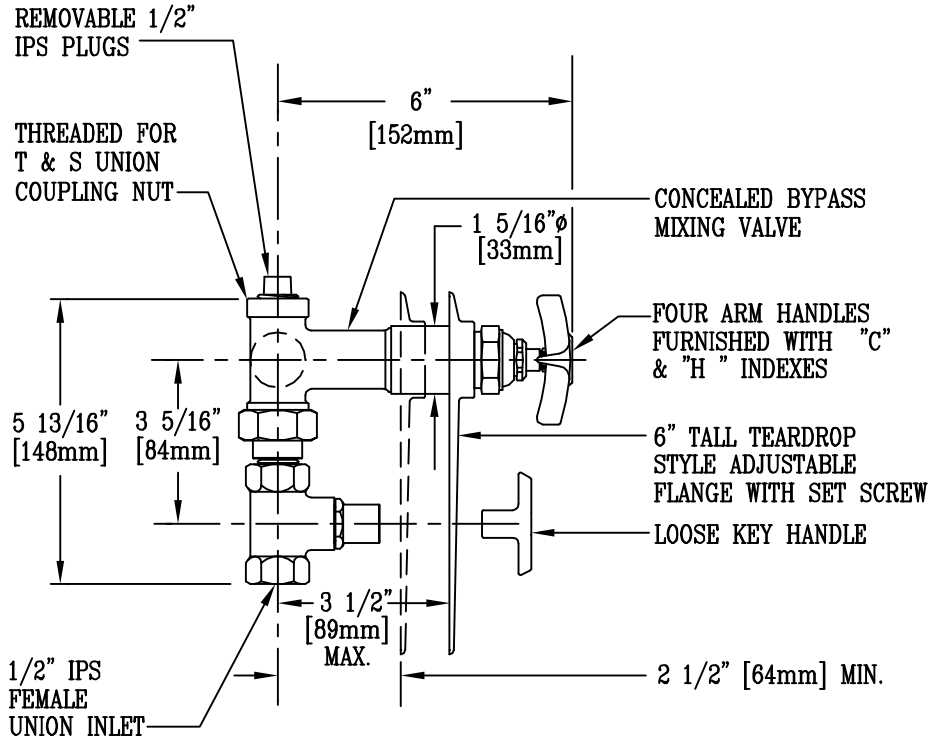
B-1035-ST

Item No.:

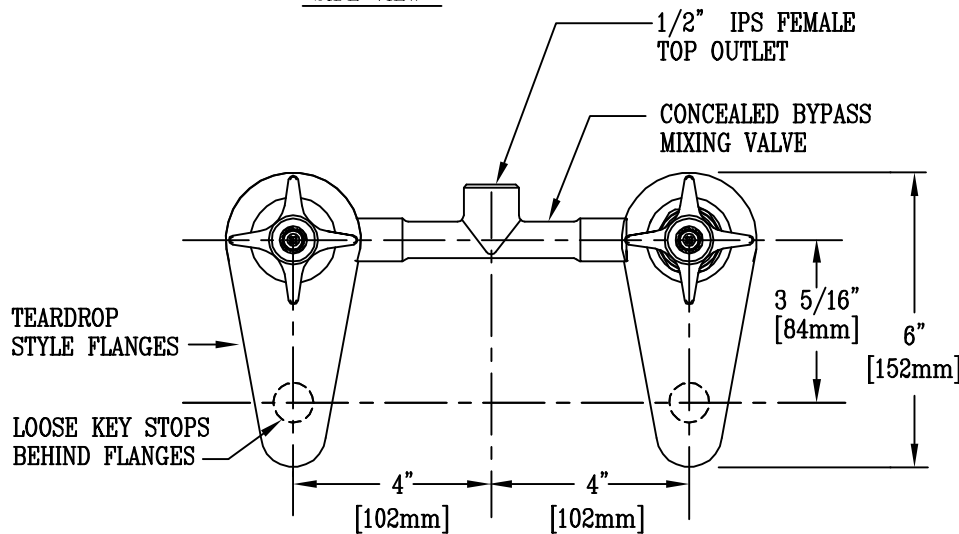
Job Name:

Architect/Engineer Approval:

Notes:



SIDE VIEW



FRONT VIEW

NOTES : SUPPLY MAY BE FROM ABOVE OR BELOW

VALVE ALSO AVAILABLE ON 6" C/C INLETS. SPECIFY.

Product Description:

CONCEALED BYPASS MIXING VALVE WITH 1/2" IPS FEMALE INLETS & OUTLET, INTEGRAL LOOSE KEY STOPS, & FOUR ARM HANDLES

Drawn:

WJS

Approved

CA

Checked

SCM

Scale:

3" = 1'

Date:

8/11/95